

[54] SOLAR POWERED PORTABLE FAN

D. 207,360 4/1967 Rawson, Jr. D23/155
4,120,615 10/1978 Keem et al. 417/234

[76] Inventor: Clyde Wagner, 325 E. Stocker St.,
Glendale, Calif. 91207

Primary Examiner—James R. Largen
Attorney, Agent, or Firm—Ralph B. Pastoriza

[**] Term: 14 Years

[57] CLAIM

[21] Appl. No.: 896,788

The ornamental design for a solar powered portable fan, substantially as shown.

[22] Filed: Apr. 14, 1978

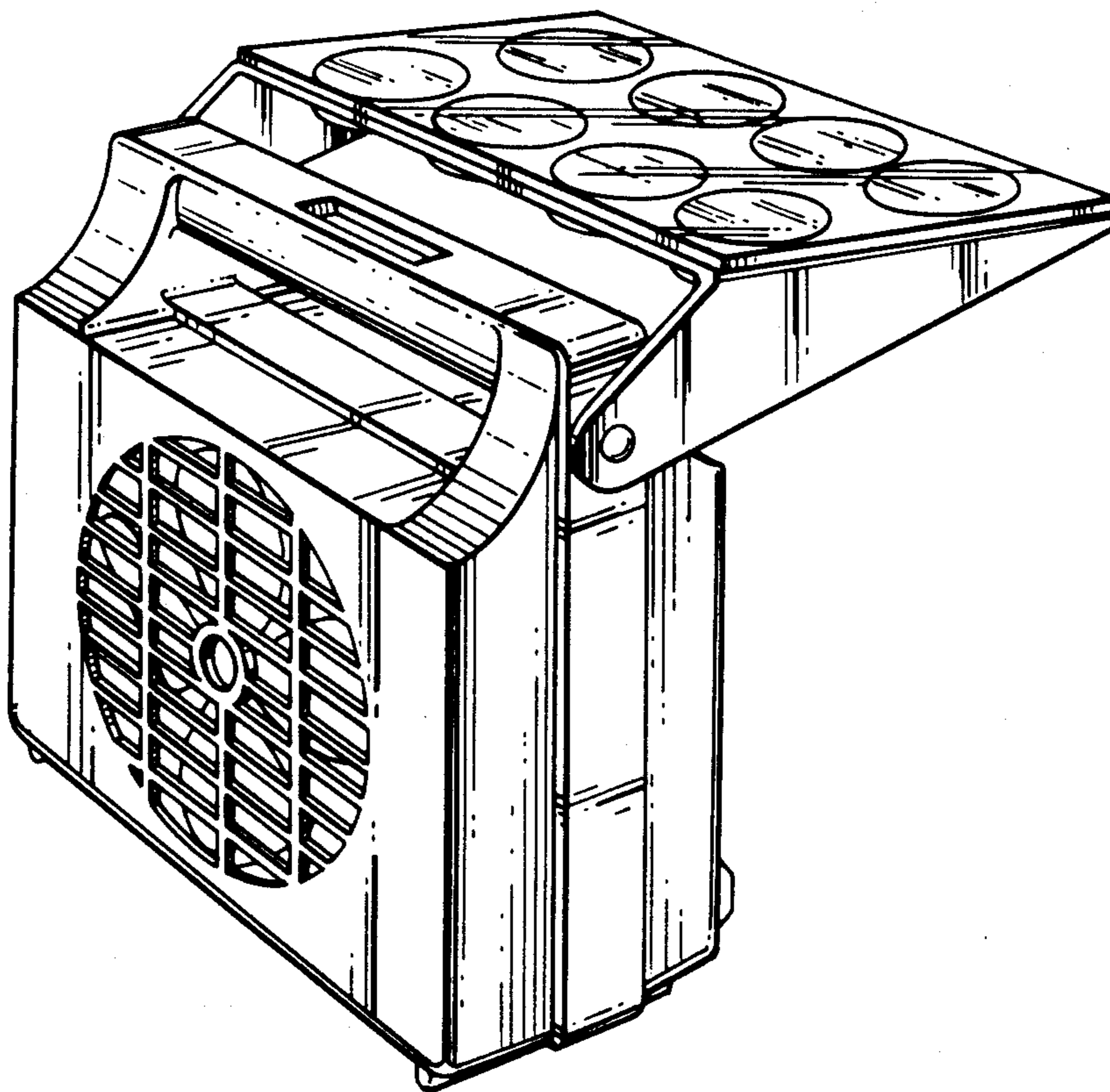
DESCRIPTION

[51] Int. Cl. D23-04
[52] U.S. Cl. D23/155
[58] Field of Search D23/139-167;
417/234, 411; 416/63, 247

FIG. 1 is a perspective view taken from the front, top and one side of a solar powered portable fan showing my new design;
FIG. 2 is an elevational view taken from the side opposite that shown in FIG. 1;
FIG. 3 is a front elevational view thereof;
FIG. 4 is a rear elevational view thereof;
FIG. 5 is a top plan view thereof; and,
FIG. 6 is a bottom plan view thereof.

[56] References Cited
U.S. PATENT DOCUMENTS

D. 182,029 2/1958 Kirk D23/155
D. 205,168 6/1966 Schreckengost D23/155



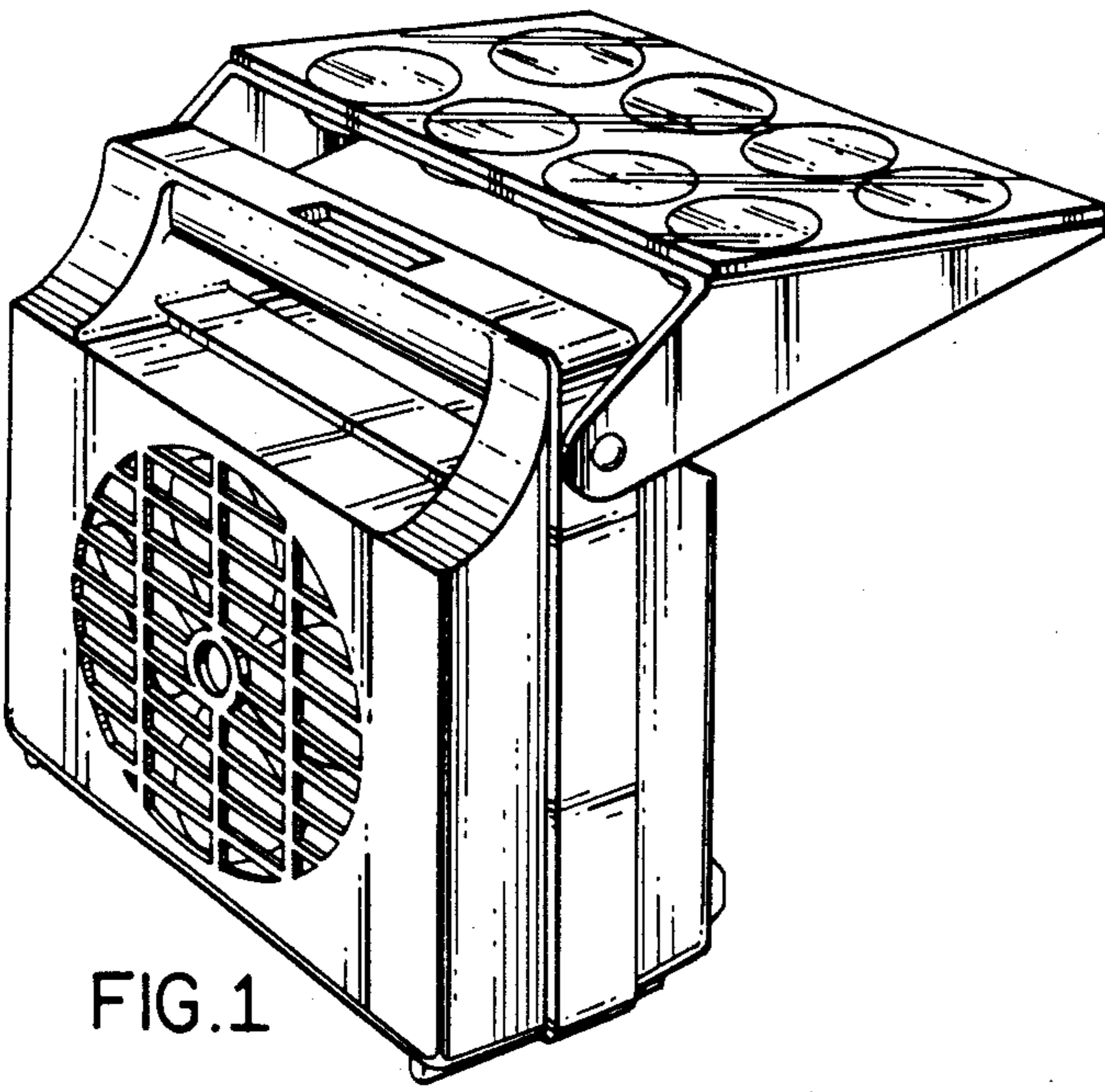


FIG. 1

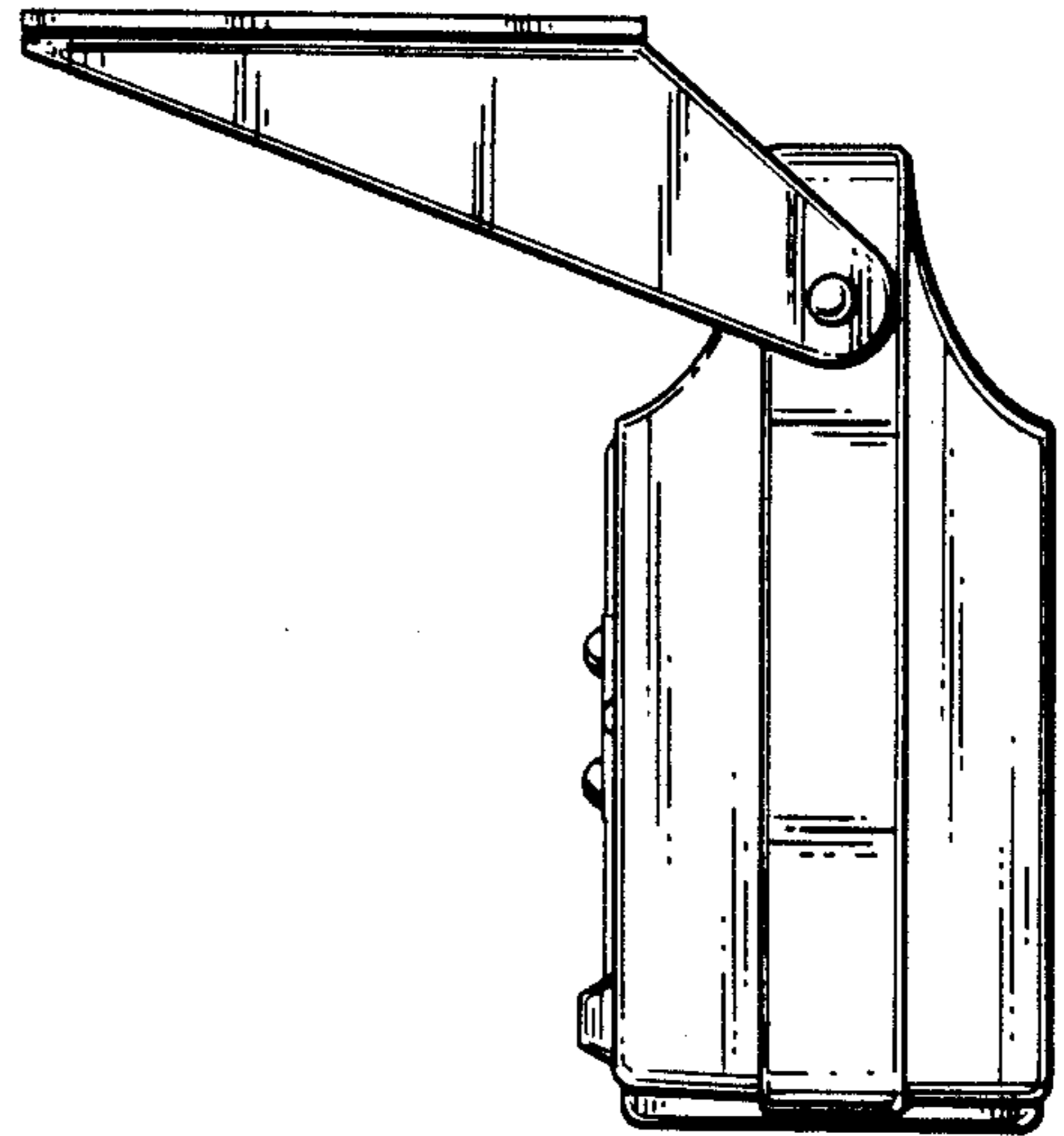


FIG. 2

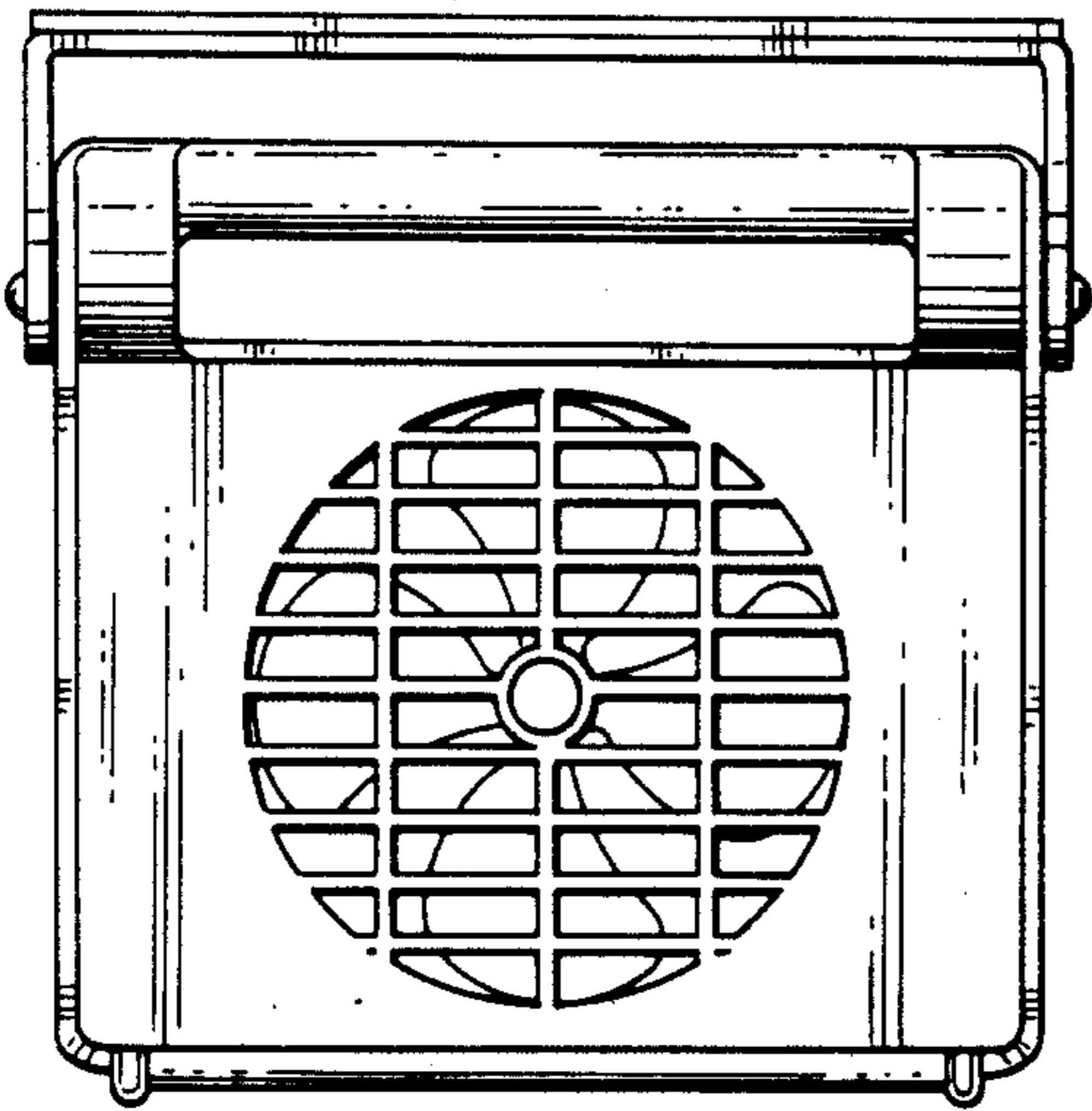


FIG. 3

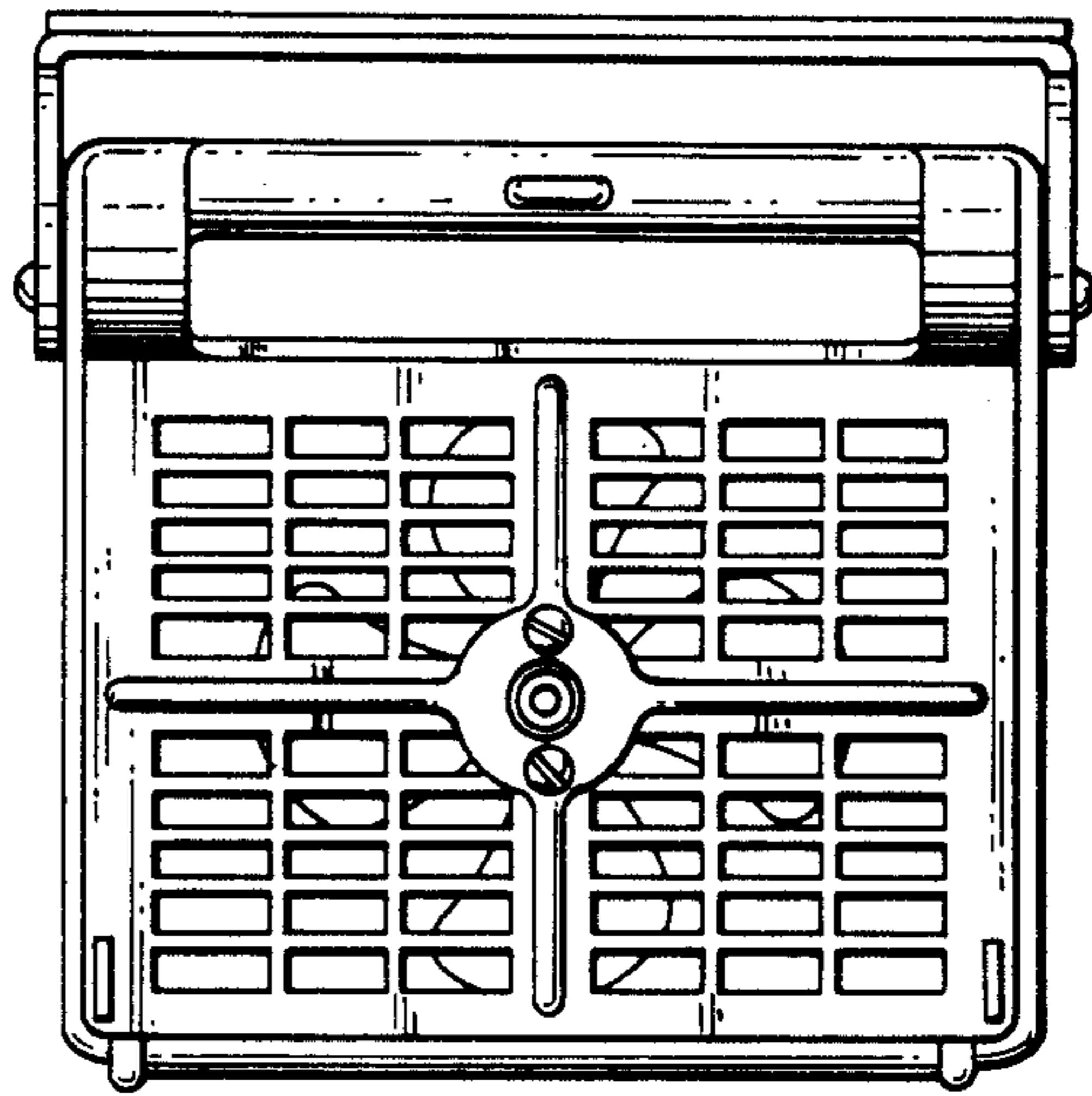


FIG. 4

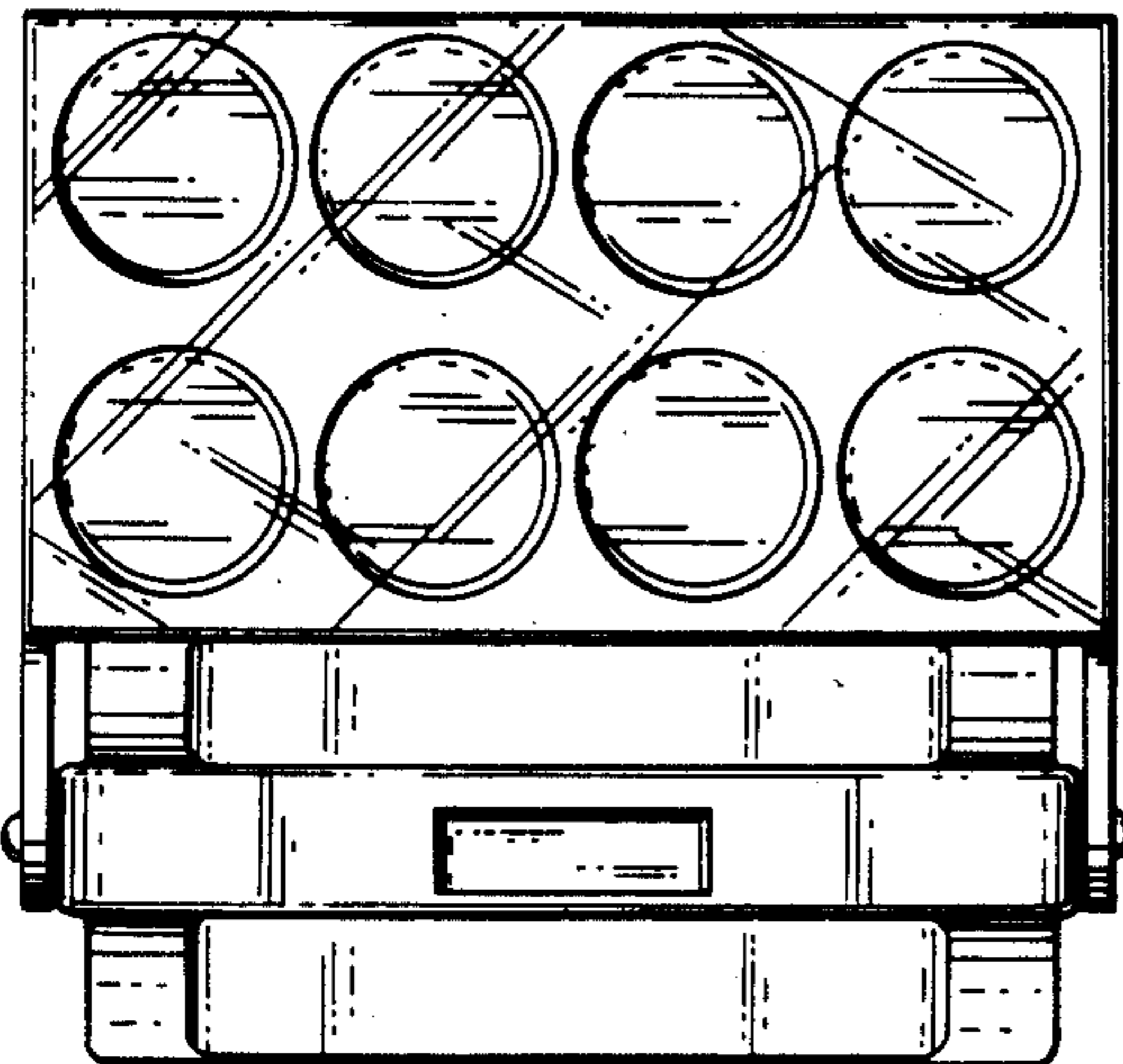


FIG. 5

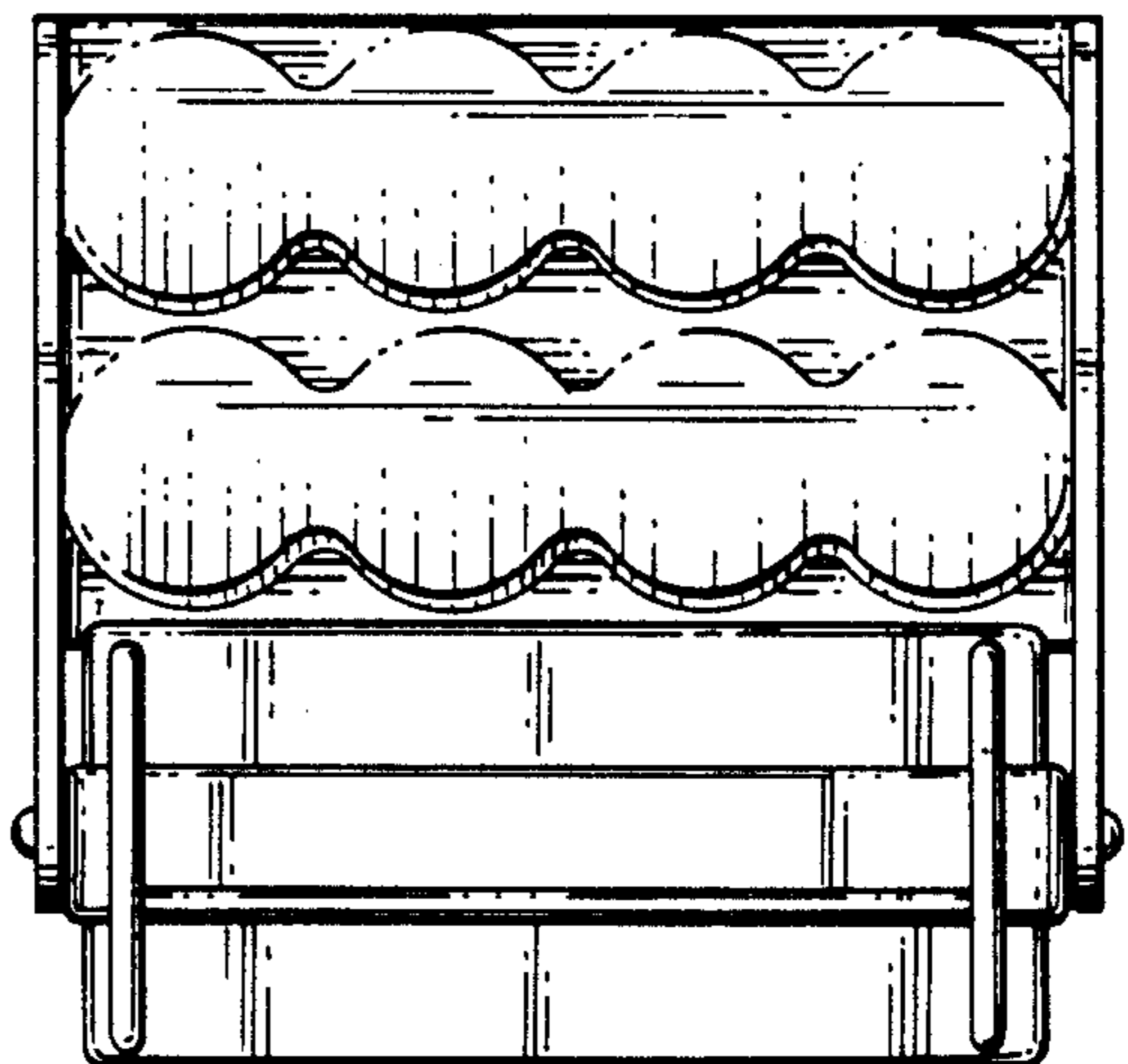


FIG. 6