

[54] PHYSICAL EXERCISER

[76] Inventor: John M. Pearo, 3211 Castleleigh Rd., Beltsville, Md. 20705

[\*\*] Term: 14 Years

[21] Appl. No.: 852,474

[22] Filed: Nov. 17, 1977

[51] Int. Cl. .... D21-02

[52] U.S. Cl. .... D21/195

[58] Field of Search ..... D21/191, 195, 196, 198, D21/221, 225, 235; 272/93, 102, 103, 109, 62, 63, 68, 78, 116, 117, 118, 125, 144

[56] References Cited

U.S. PATENT DOCUMENTS

3,430,953 3/1969 Teetor ..... 272/62

FOREIGN PATENT DOCUMENTS

558732 3/1957 Italy ..... 272/93

OTHER PUBLICATIONS

Sporting Goods Dealer, 7-1977, p. 213, "Bench Press Bench" at top left corner of page.

Primary Examiner—Joel Stearman

Assistant Examiner—Charles A. Rademaker

[57] CLAIM

The ornamental design for a physical exerciser, substantially as shown and described.

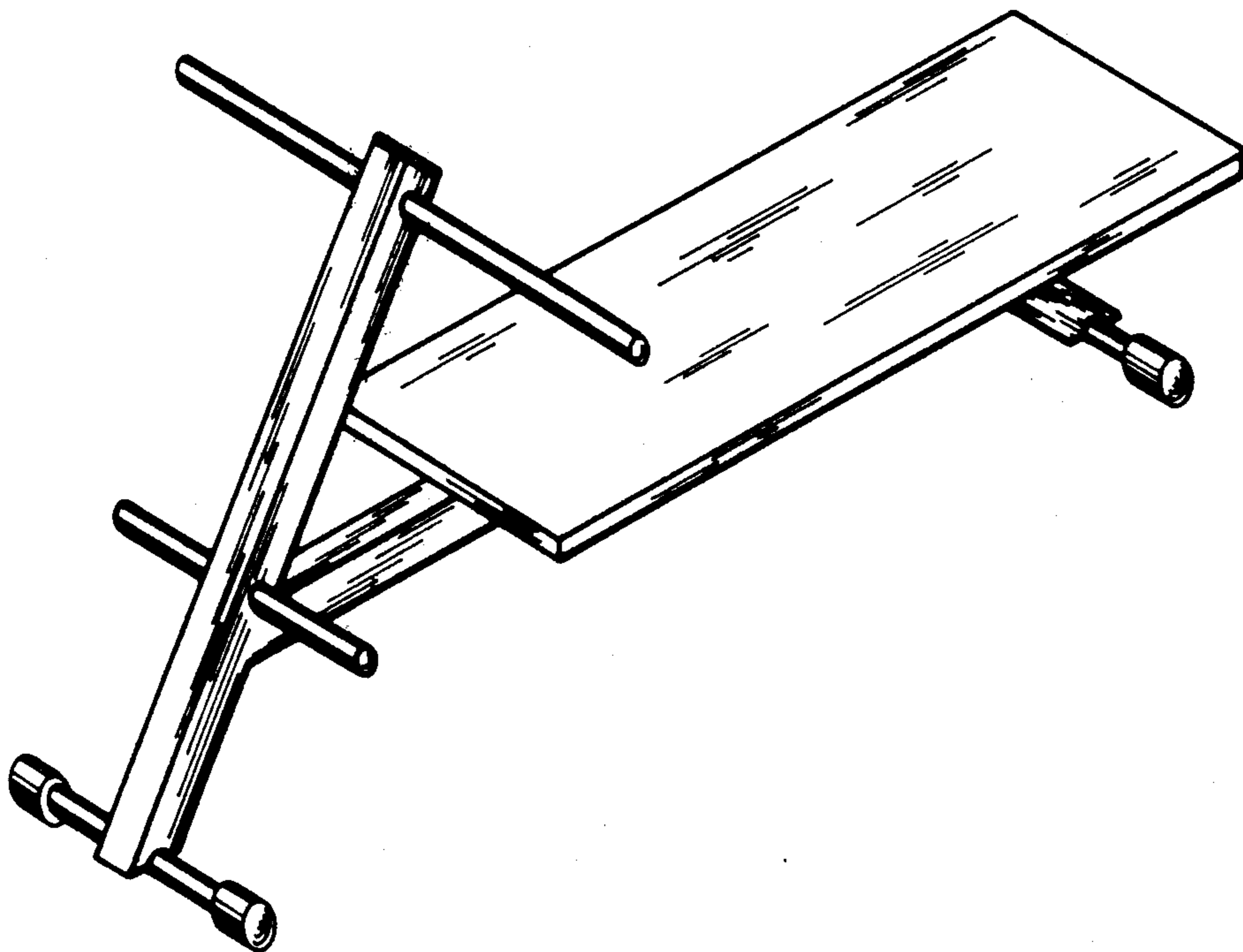
DESCRIPTION

FIG. 1 is a perspective view of a physical exerciser showing my new design;

FIG. 2 is a right side elevational view thereof, the side opposite being substantially a mirror image;

FIG. 3 is a front elevational view thereof; and

FIG. 4 is a rear elevational view thereof.



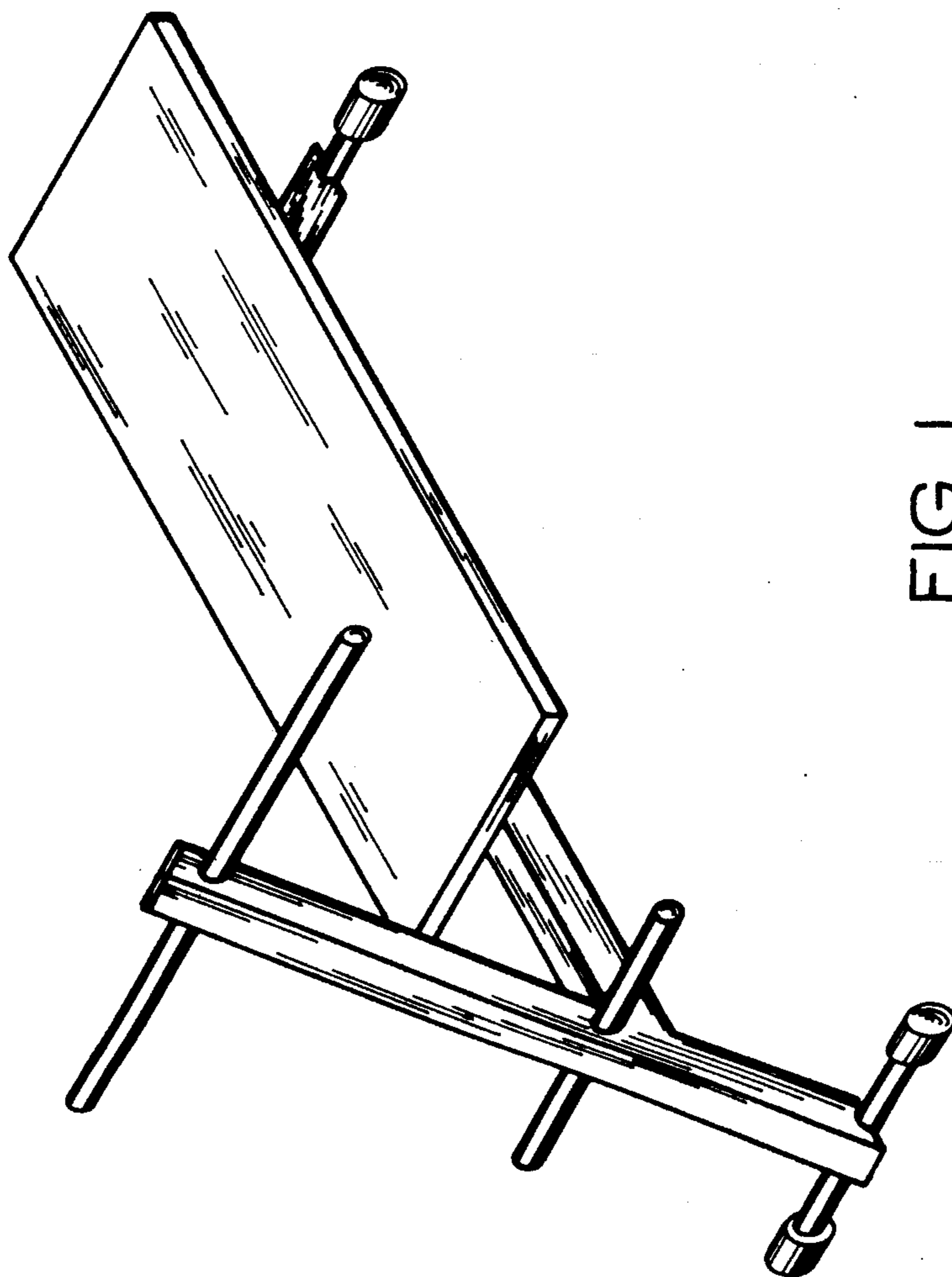


FIG. 1

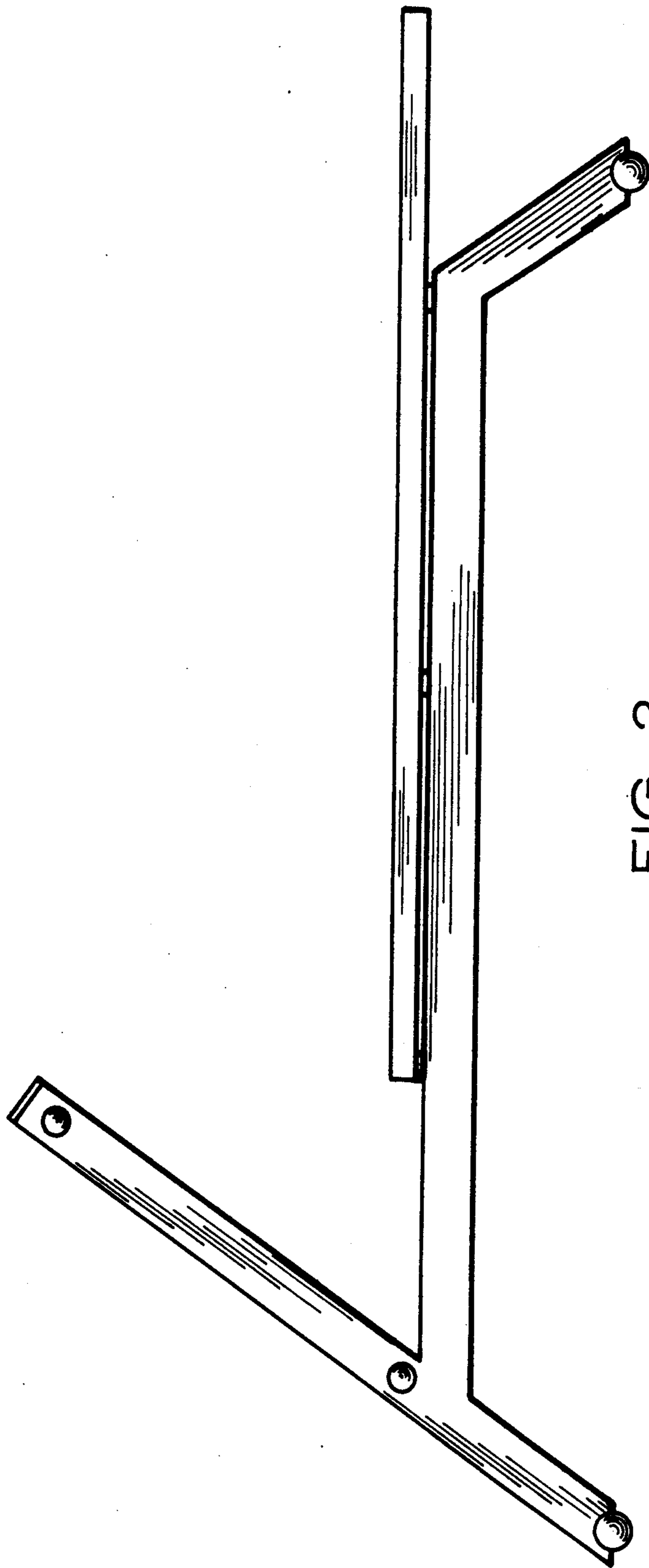


FIG. 2

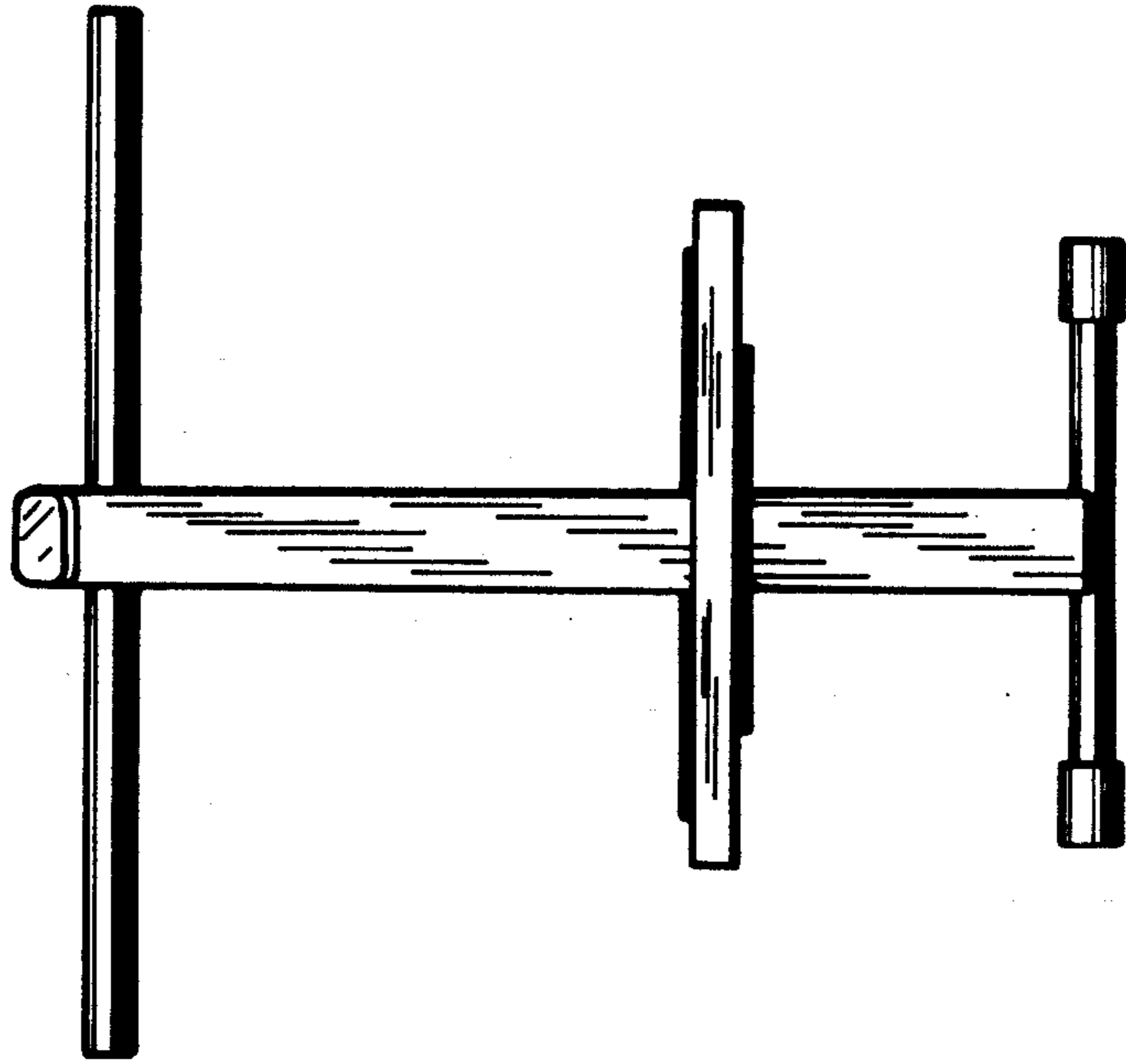


FIG. 4

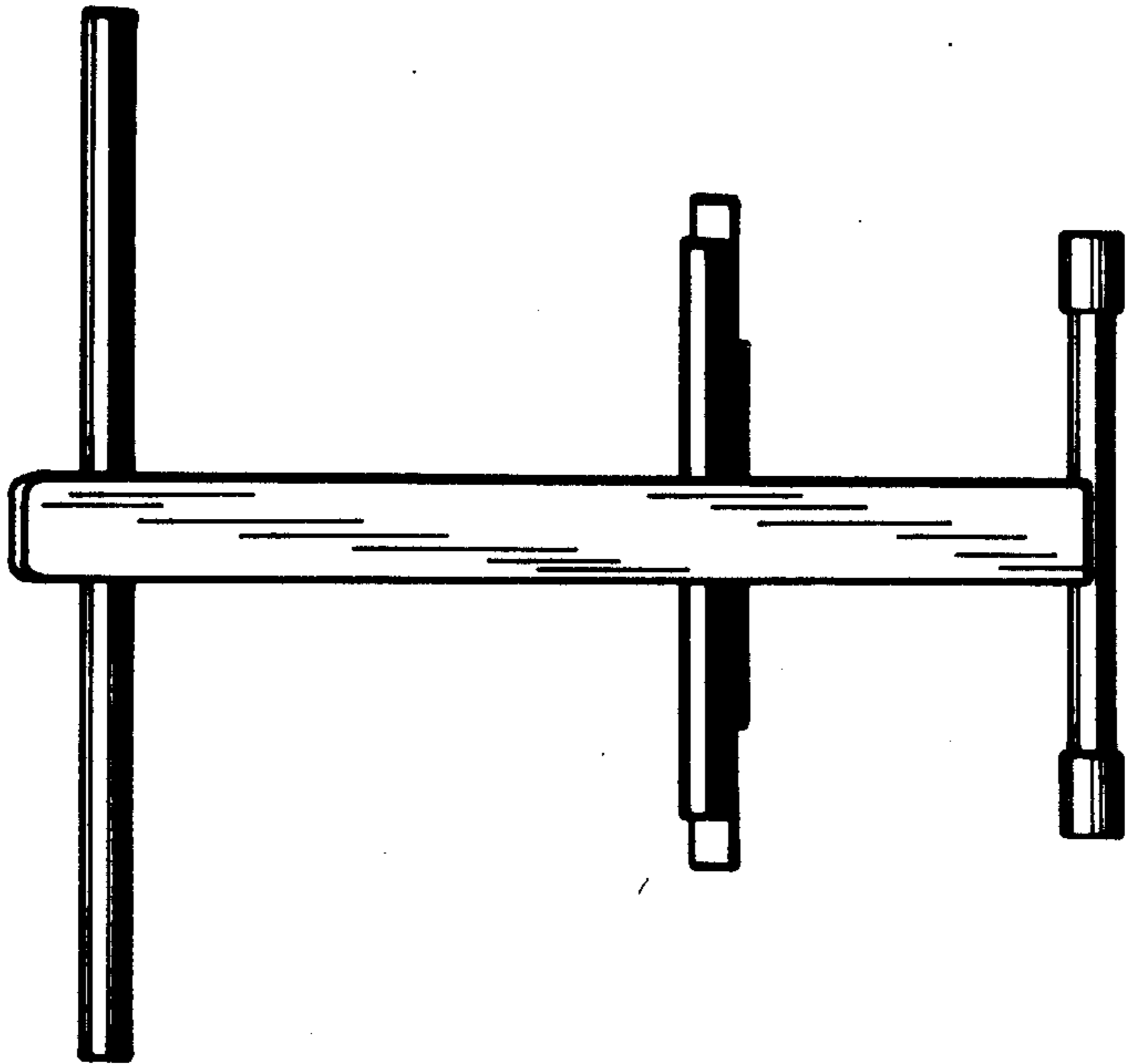


FIG. 3