

[54] TAPE DISPENSER

[75] Inventor: Logan W. Johnson, Edina, Minn.

[73] Assignee: Minnesota Mining & Manufacturing Company, St. Paul, Minn.

[**] Term: 14 Years

[21] Appl. No.: 927,116

[22] Filed: Jul. 24, 1978

[51] Int. Cl. D19-02

[52] U.S. Cl. D19/69

[58] Field of Search D19/67-69; 225/6, 77

[56] References Cited

U.S. PATENT DOCUMENTS

- D. 188,709 8/1960 Helms D19/69
- D. 226,333 2/1973 Reinecke et al. D19/69

- D. 226,358 2/1973 Macowski D19/69
- D. 248,561 7/1978 Deering D19/69

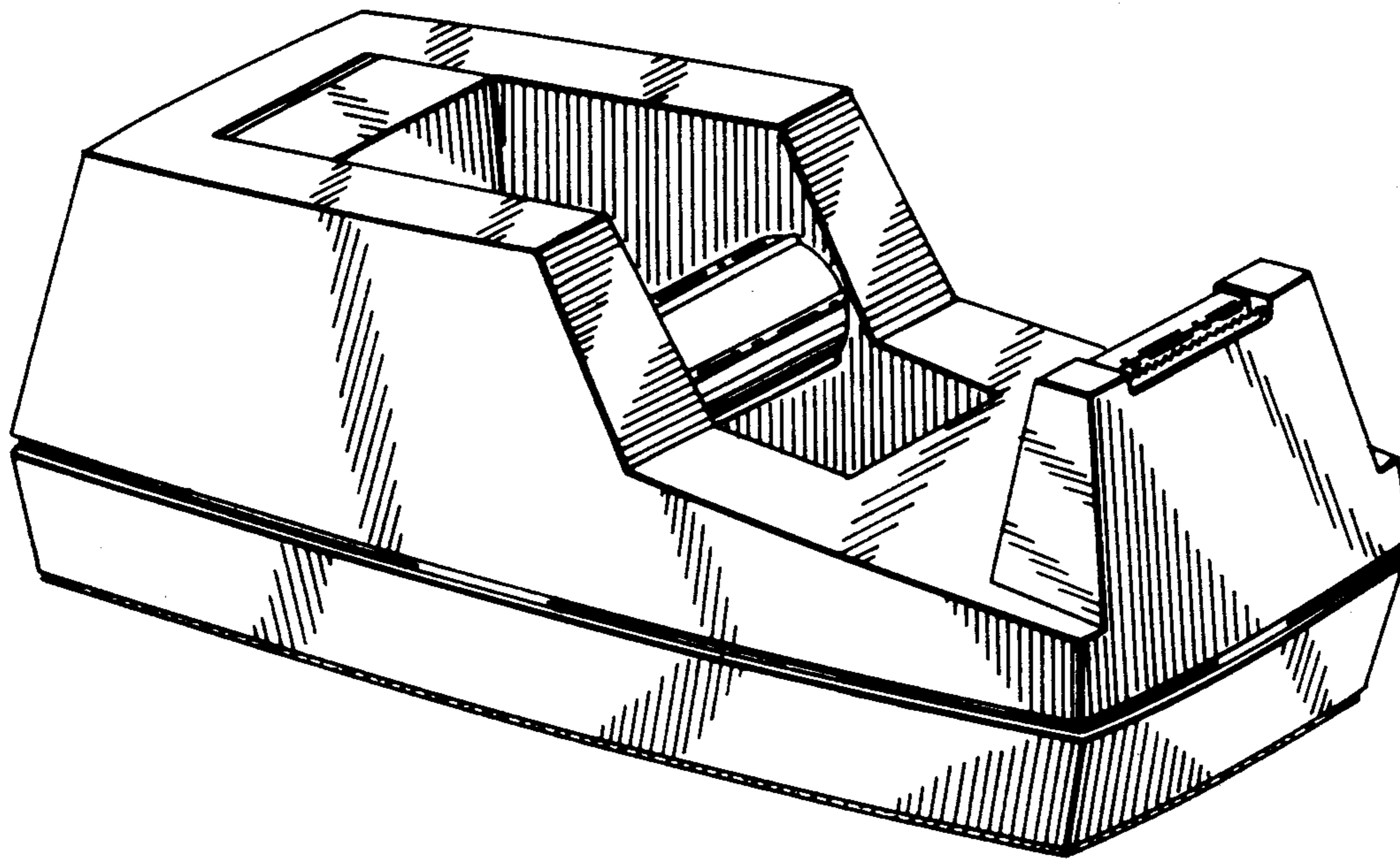
Primary Examiner—Joel Stearman
 Assistant Examiner—George P. Word
 Attorney, Agent, or Firm—Cruzan Alexander; Donald M. Sell; John C. Barnes

[57] CLAIM

The ornamental design for a tape dispenser, substantially as shown and described.

DESCRIPTION

FIG. 1 is a perspective view of a tape dispenser showing my new design;
 FIG. 2 is a top plan view thereof;
 FIG. 3 is a right side elevational view, the left side being a mirror image thereof;
 FIG. 4 is a bottom plan view thereof;
 FIG. 5 is a front elevational view thereof; and
 FIG. 6 is a rear elevational view thereof.



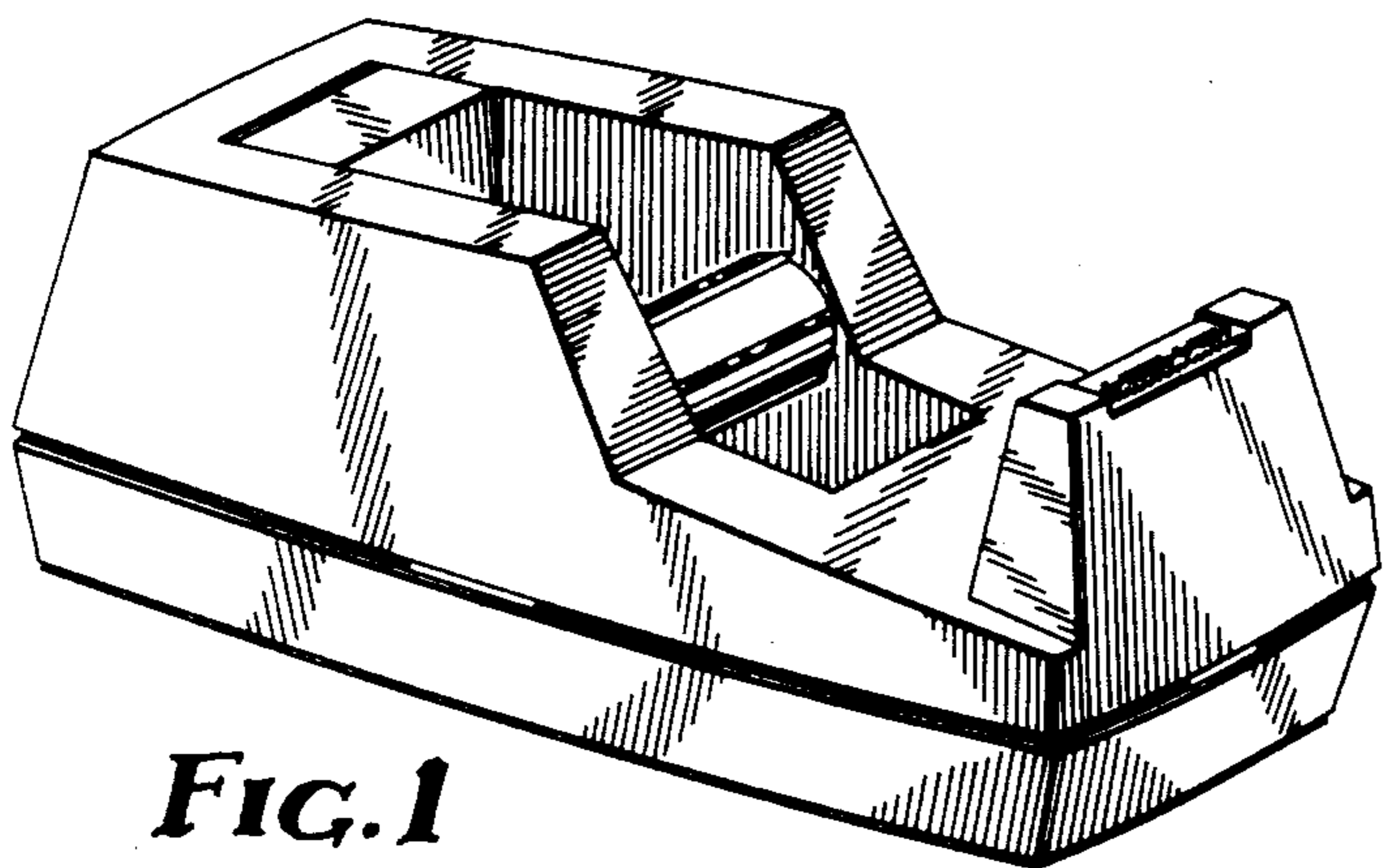


FIG. 1

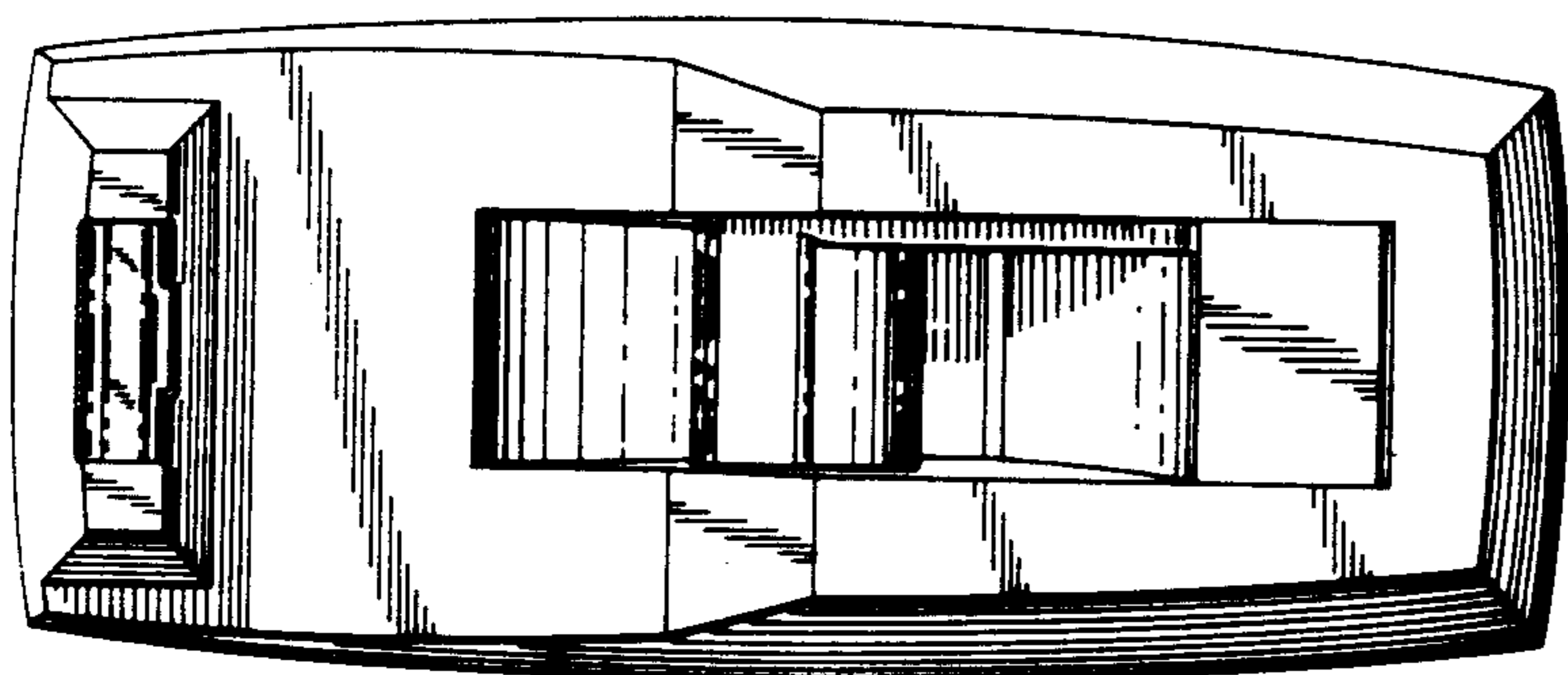


FIG. 2

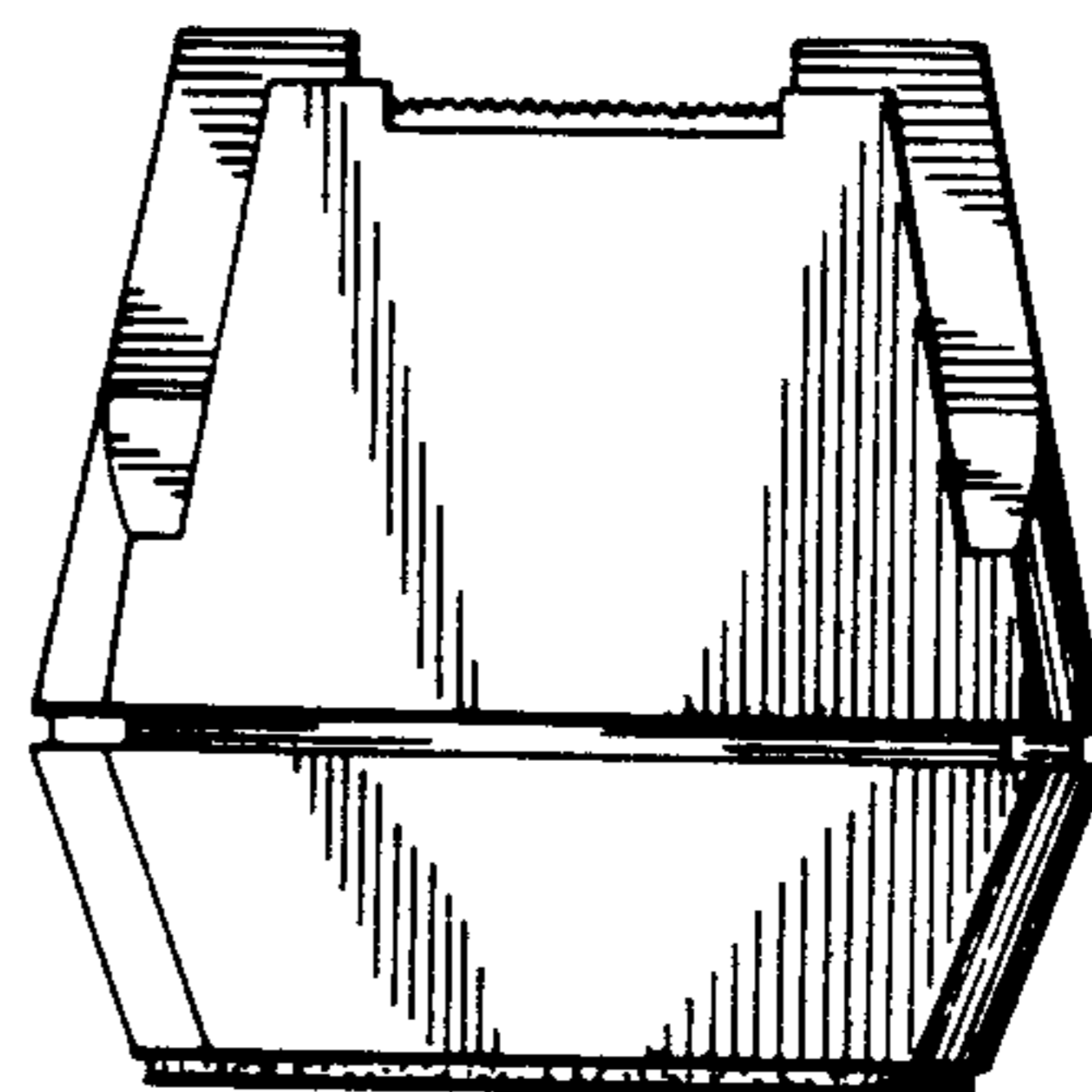


FIG. 5

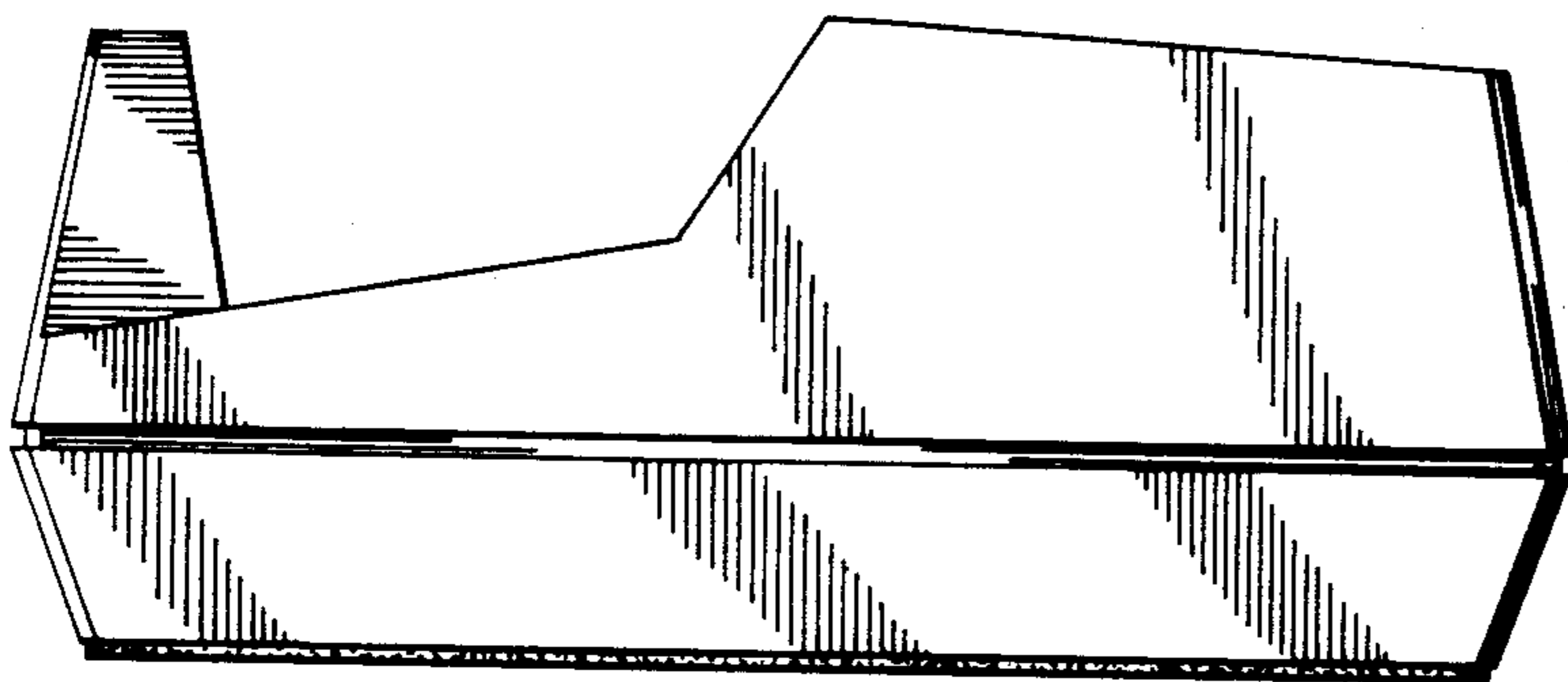


FIG. 3

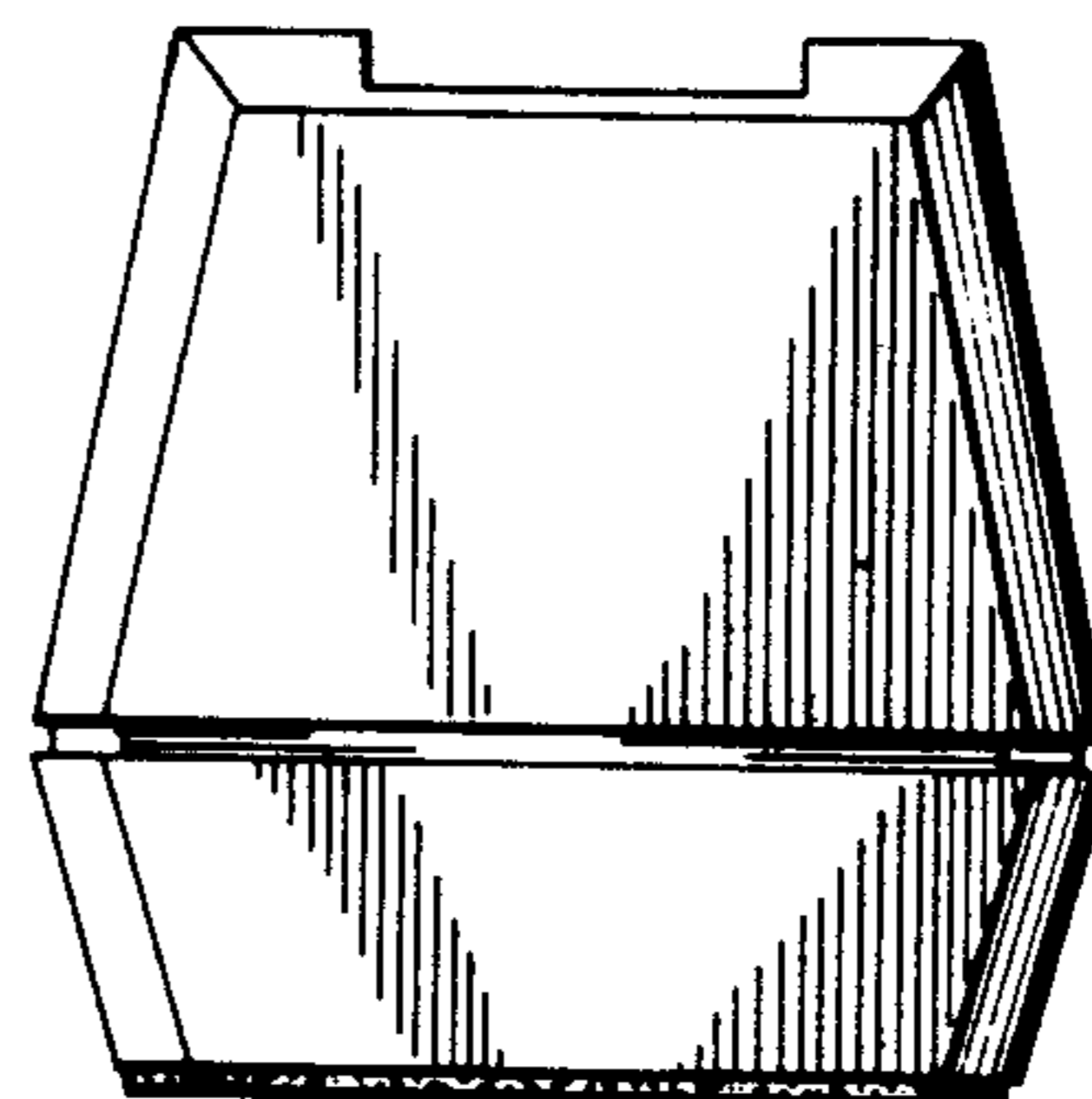


FIG. 6

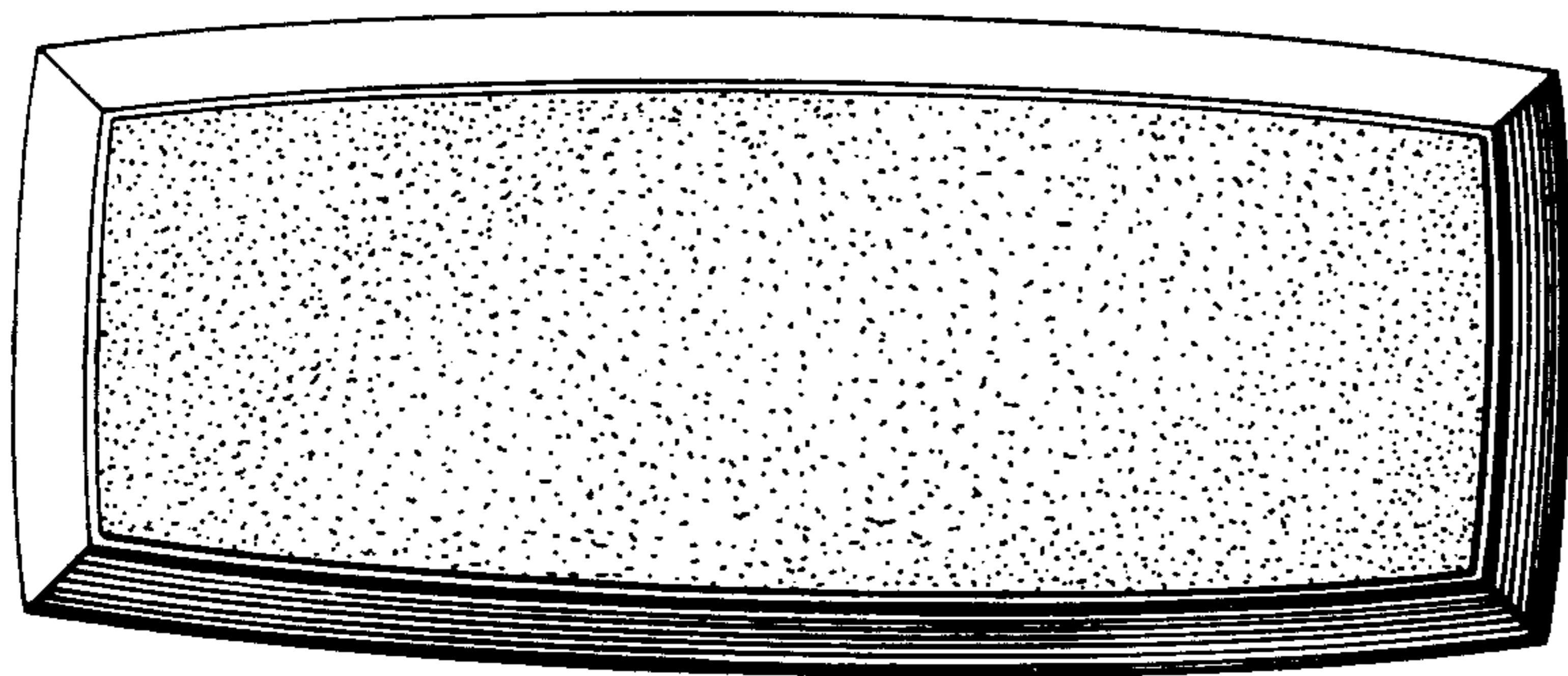


FIG. 4