

[54] MULTI-CONTACT ELECTRICAL CONNECTOR FIXTURE PRESS

[75] Inventors: Philip J. Thomas, Costa Mesa; Roger D. Lang, Irvine; John A. McAllister, Mission Viejo, all of Calif.

[73] Assignee: Circuit Assembly Corp., Costa Mesa, Calif.

[\*\*] Term: 14 Years

[21] Appl. No.: 794,765

[22] Filed: May 9, 1977

[51] Int. Cl. .... D15-09

[52] U.S. Cl. .... D15/123; D15/122; D8/56

[58] Field of Search .... D15/123, 122; D8/56, D8/51; 29/751, 752, 750

[56] References Cited

U.S. PATENT DOCUMENTS

D. 220,211	3/1971	Edstrom	.....	D15/122
D. 233,911	12/1974	Marsh	.....	D15/123
3,673,848	4/1970	Filia	.....	29/751 X

Primary Examiner—Alan P. Douglas  
Attorney, Agent, or Firm—Knobbe, Martens, Olson, Hubbard & Bear

[57] CLAIM

The ornamental design for a multi-contact electrical connector fixture press, as shown.

DESCRIPTION

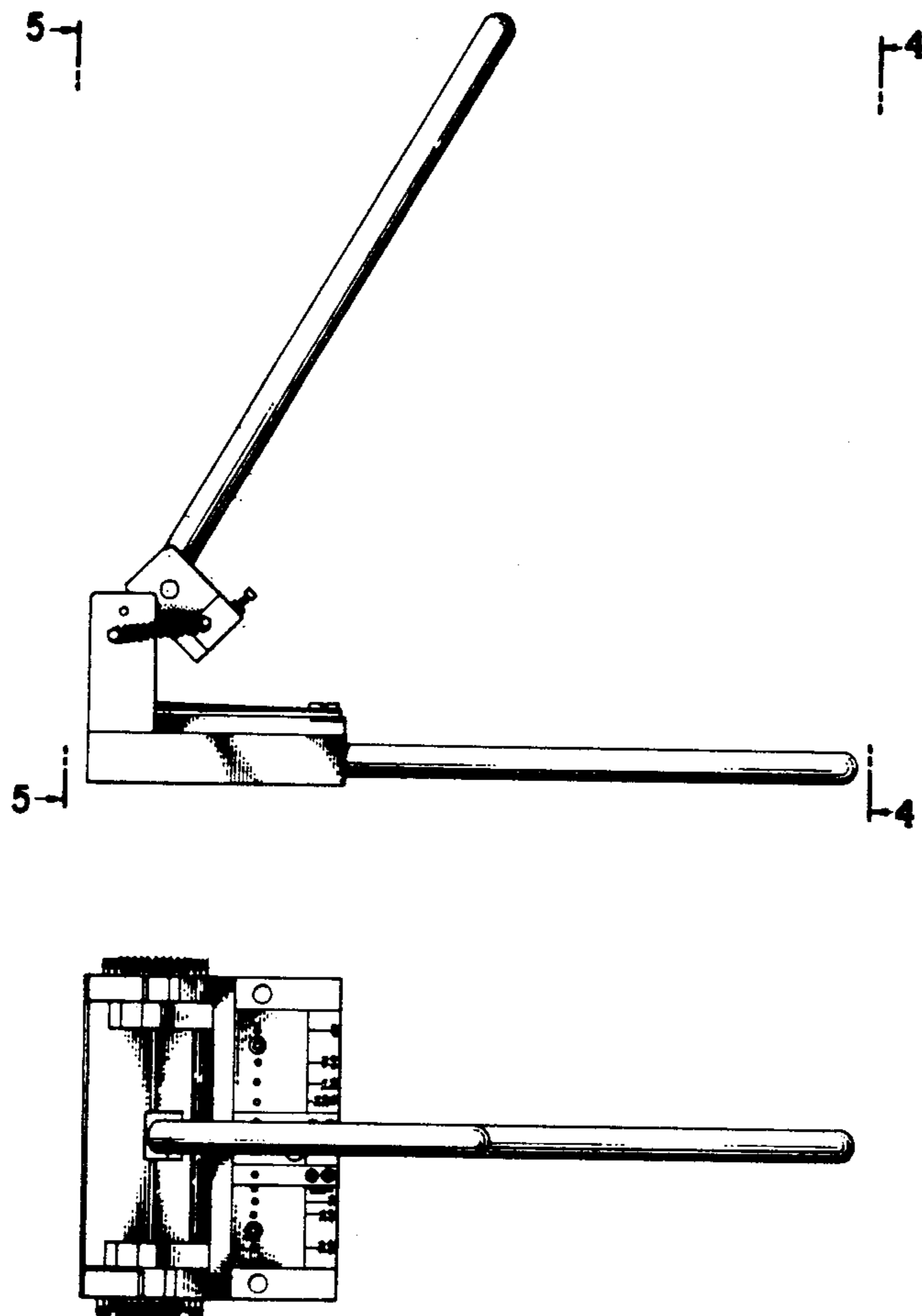
FIG. 1 is a front elevational view of a multi-contact electrical connector fixture press showing our new design;

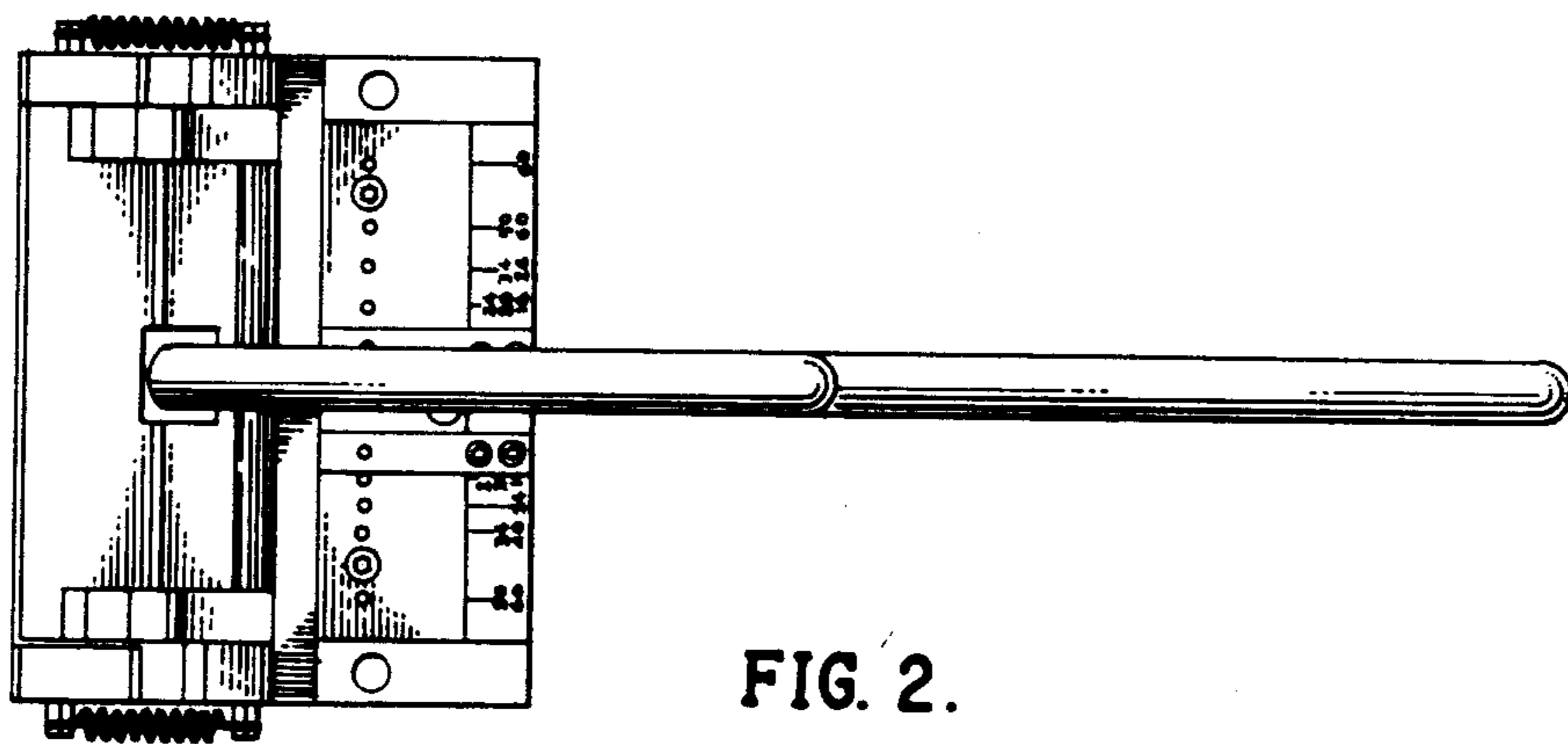
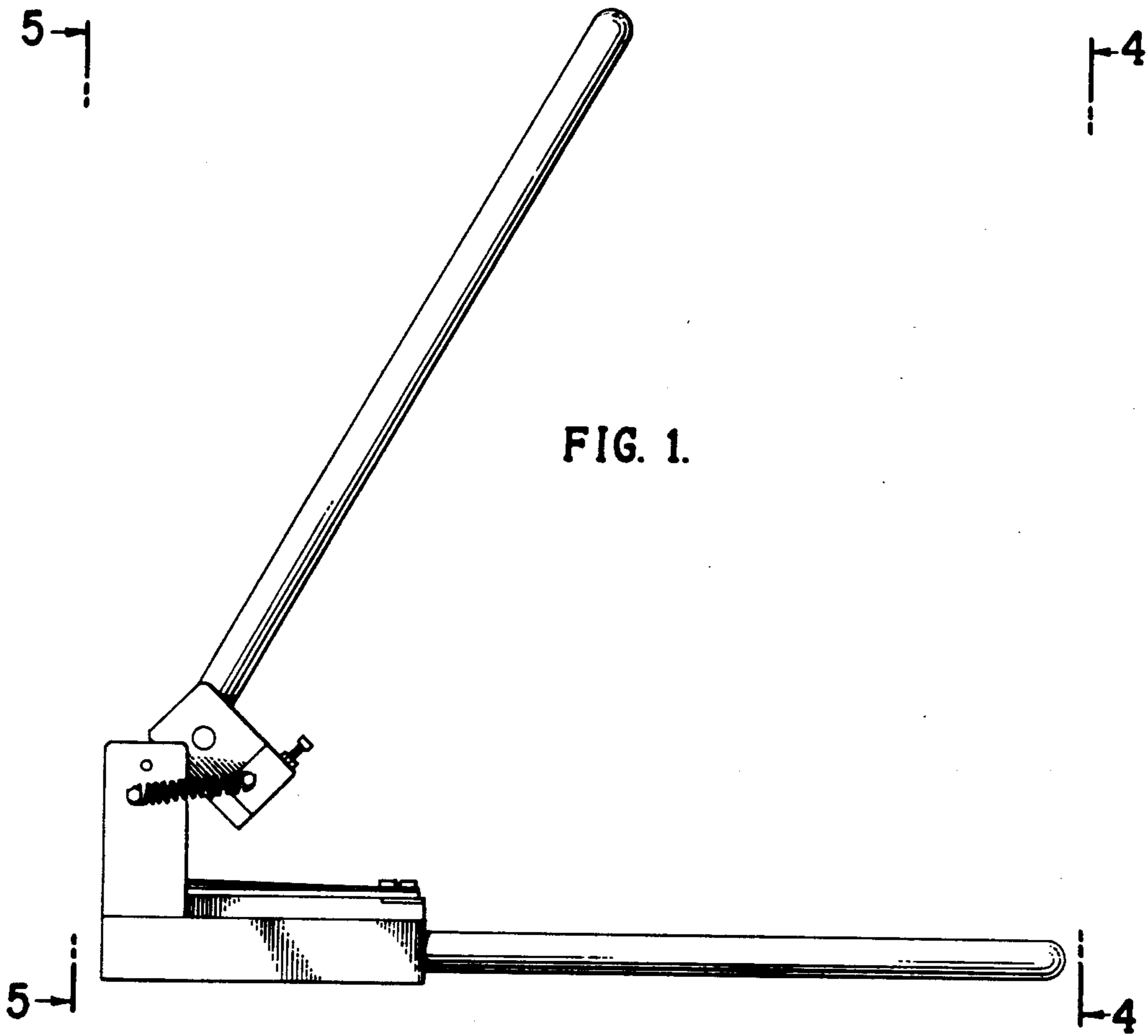
FIG. 2 is a top elevational view thereof;

FIG. 3 is a bottom elevational view thereof;

FIG. 4 is a right end elevational view taken along lines 4-4 on FIG. 1; and

FIG. 5 is a left end elevational view taken along lines 5-5 on FIG. 1.





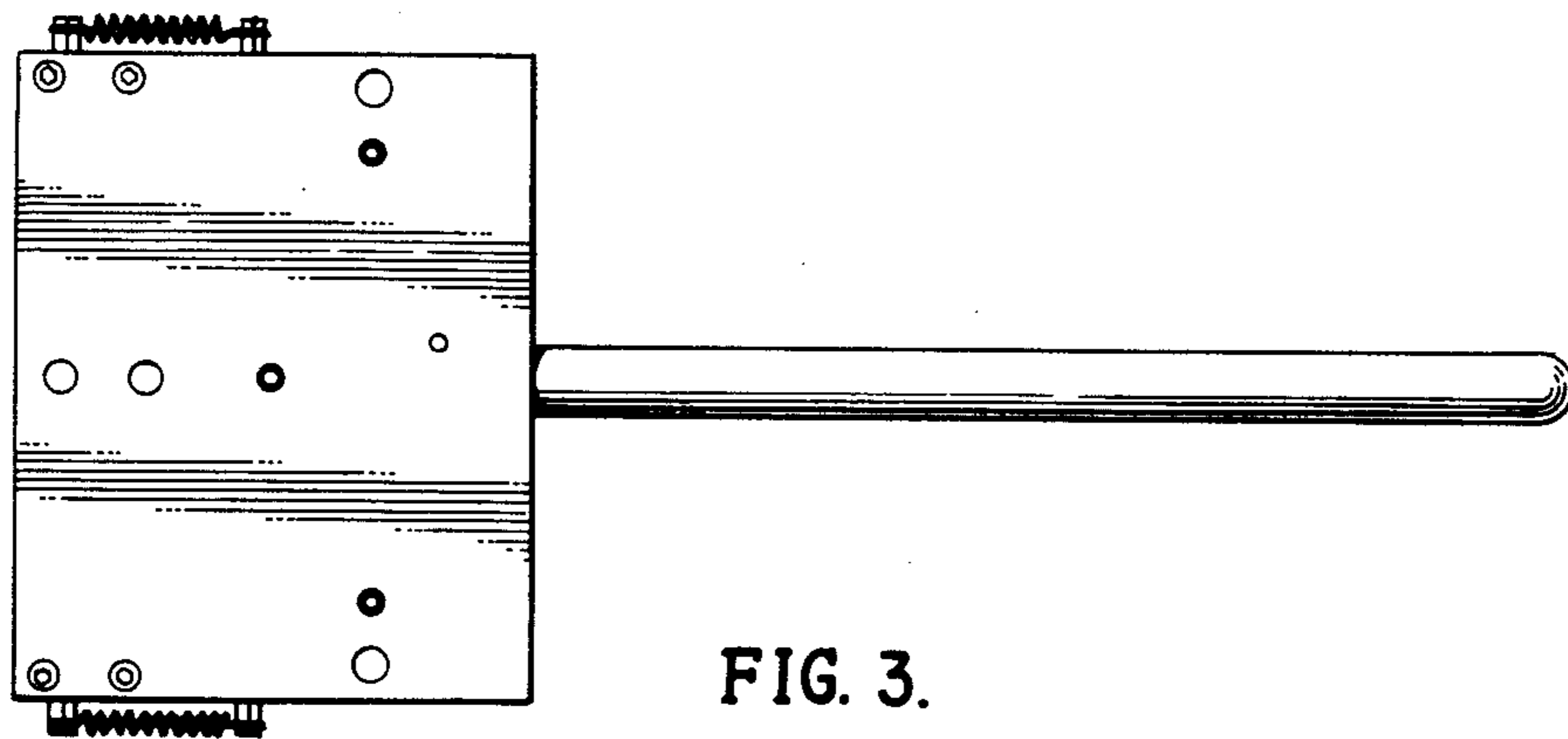


FIG. 3.

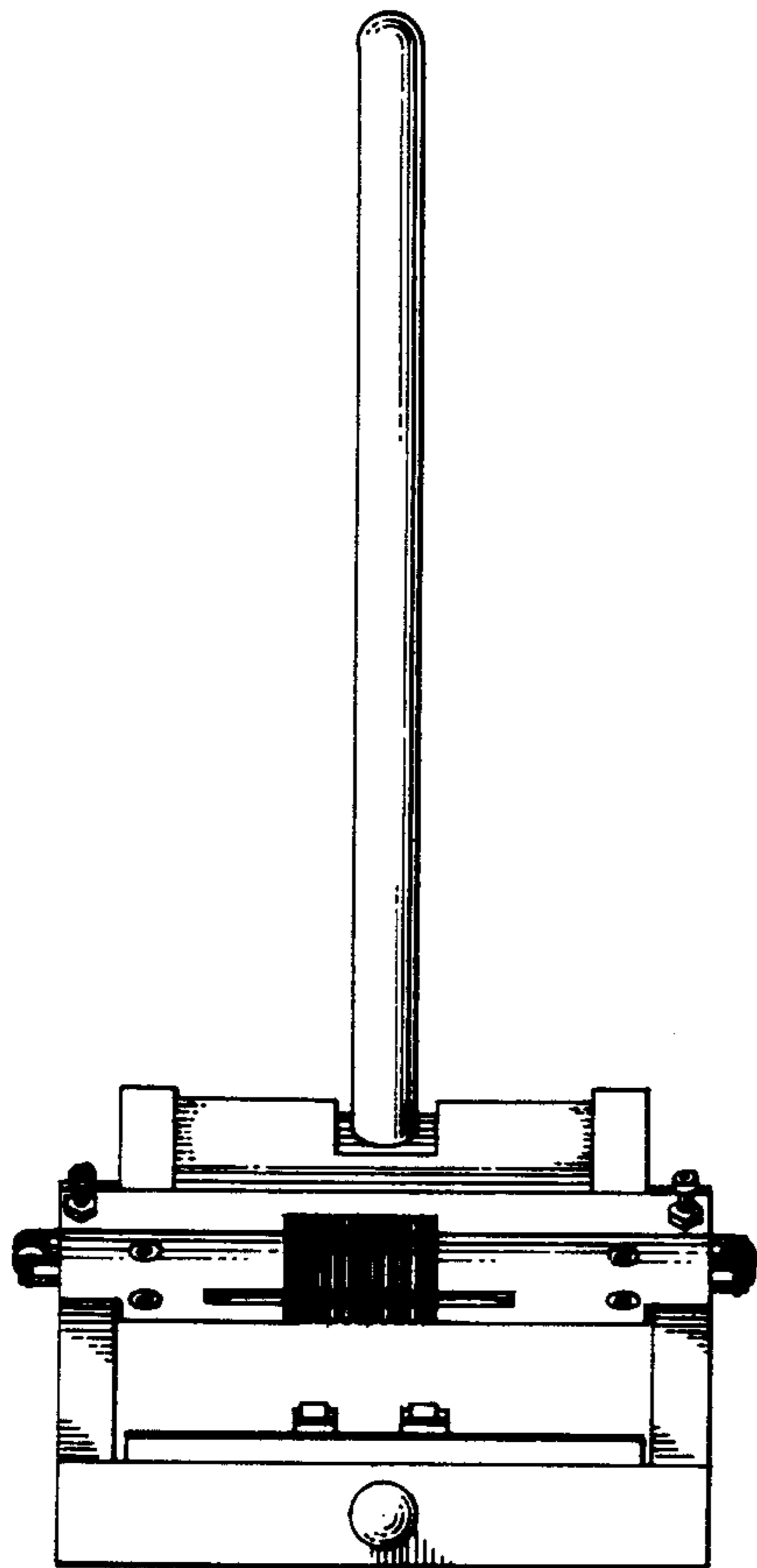


FIG. 4.

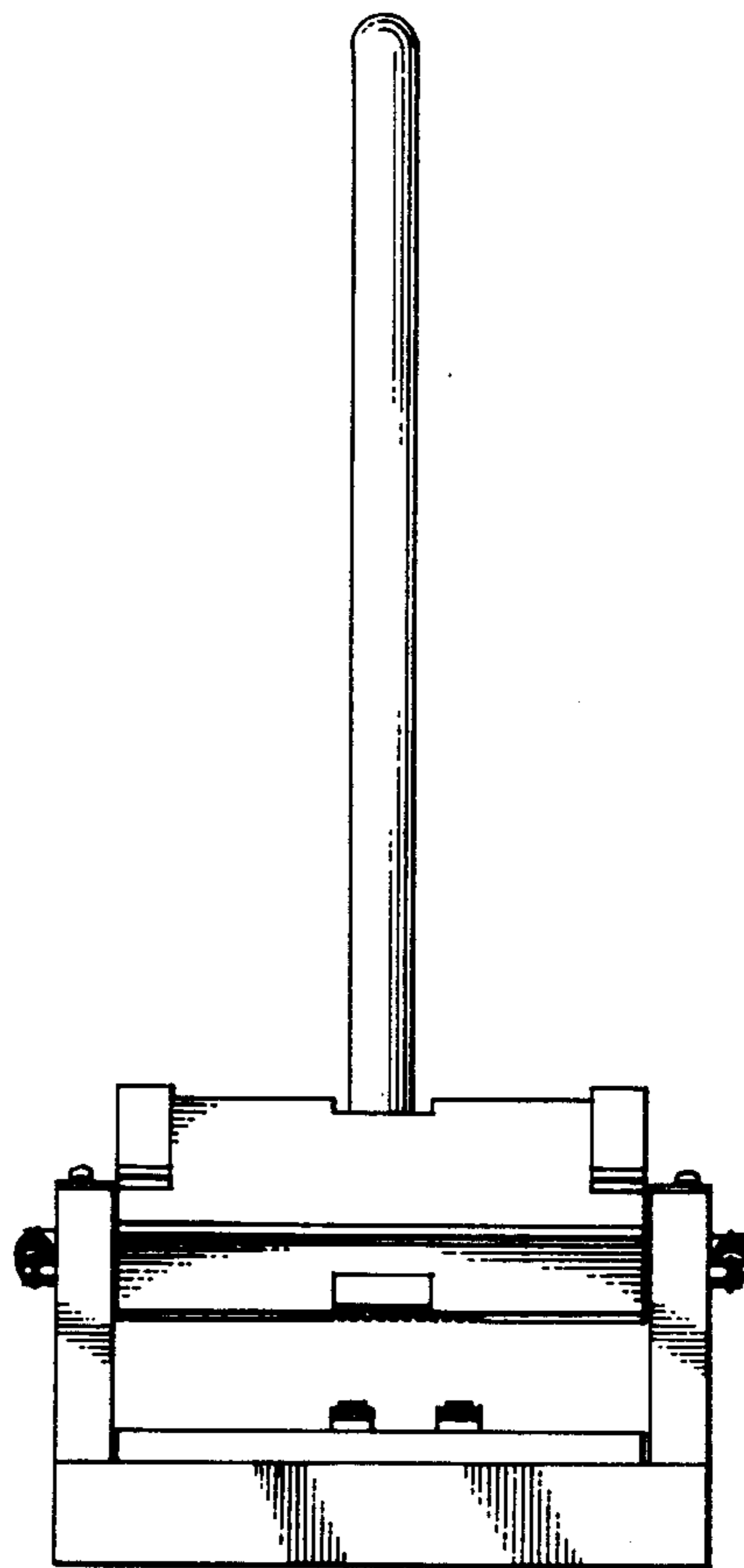


FIG. 5.