

[54] HIGH VOLTAGE FUSE END FITTING

[75] Inventors: David M. Evans, Palatine; Henry W. Scherer, Mount Prospect, both of Ill.

[73] Assignee: S & C Electric Company, Chicago, Ill.

[**] Term: 14 Years

[21] Appl. No.: 837,239

[22] Filed: Sep. 27, 1977

[51] Int. Cl. D13-03

[52] U.S. Cl. D13/35

[58] Field of Search D13/35, 99, 40, 24; 337/187, 188, 186, 190, 191, 180, 168, 162, 160, 159, 158

[56] References Cited

U.S. PATENT DOCUMENTS

3,444,497 5/1969 Charbonneau 337/188
3,594,676 7/1971 Misare 337/180

FOREIGN PATENT DOCUMENTS

76249 10/1954 Netherlands 337/180
444410 3/1936 United Kingdom 337/180

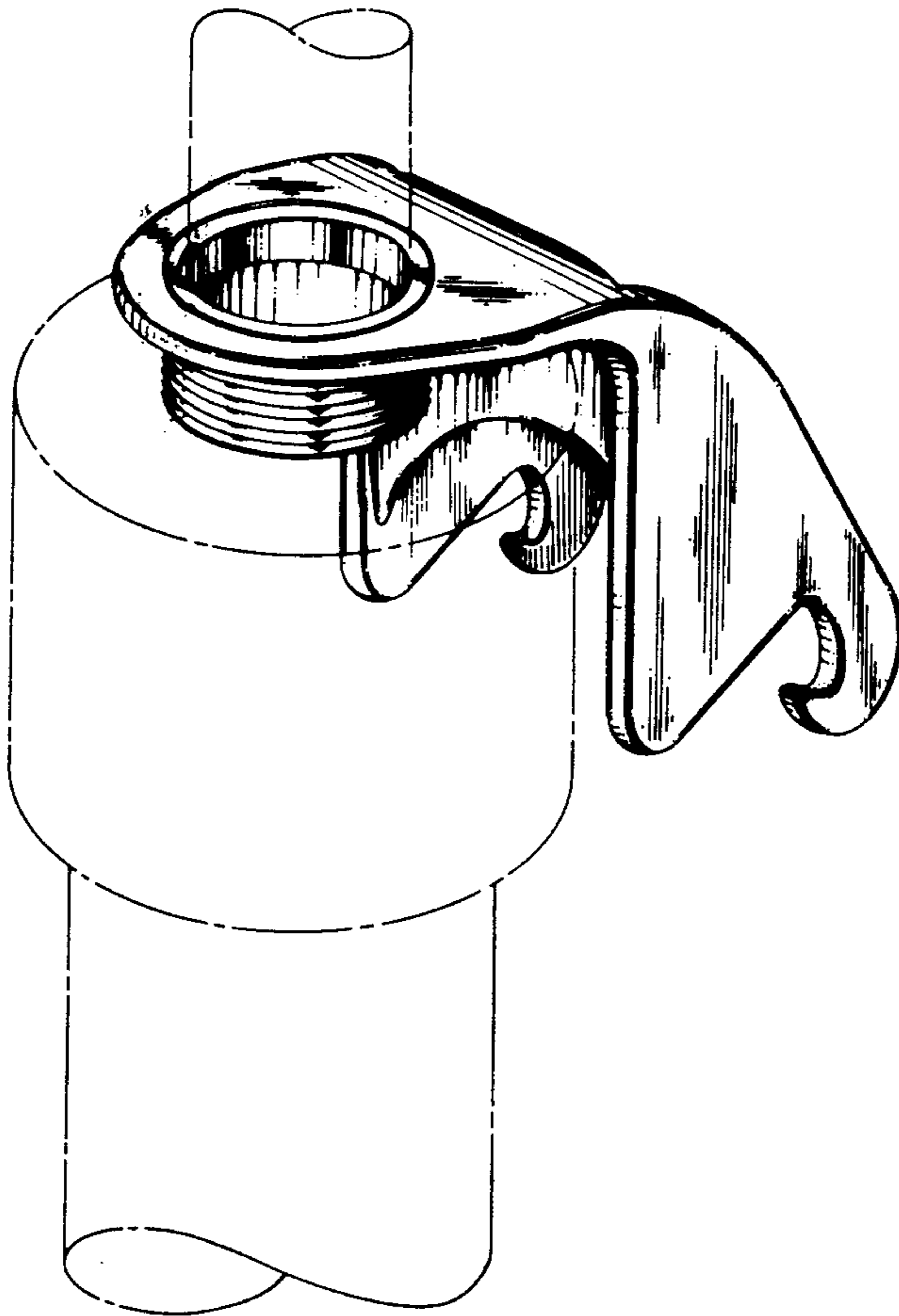
Primary Examiner—Susan J. Lucas
Attorney, Agent, or Firm—John D. Kaufmann

[57] CLAIM

The ornamental design for a high voltage fuse end fitting, substantially as shown and described.

DESCRIPTION

FIG. 1 is a perspective view of an end fitting for a high voltage fuse according to the invention; FIG. 2 is a front elevational view of the end fitting of FIG. 1; FIG. 3 is a side elevational view of the end fitting of FIG. 1; FIG. 4 is a top view of the end fitting of FIG. 1; and FIG. 5 is a bottom view of the end fitting of FIG. 1. The high voltage fuse and an exhaust control device thereon are shown in broken lines for illustrative purposes only..



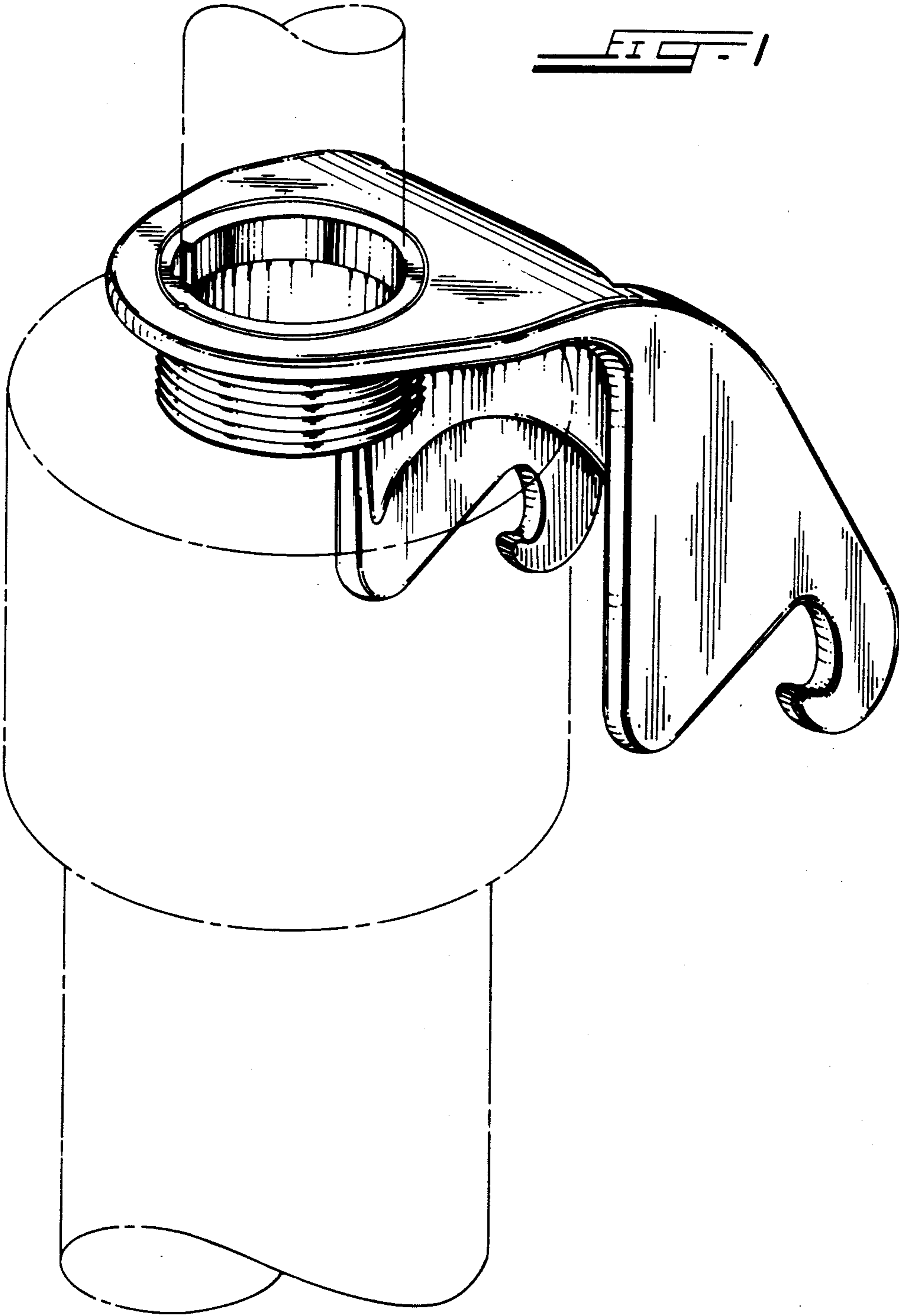


FIG. 1

FIG-3

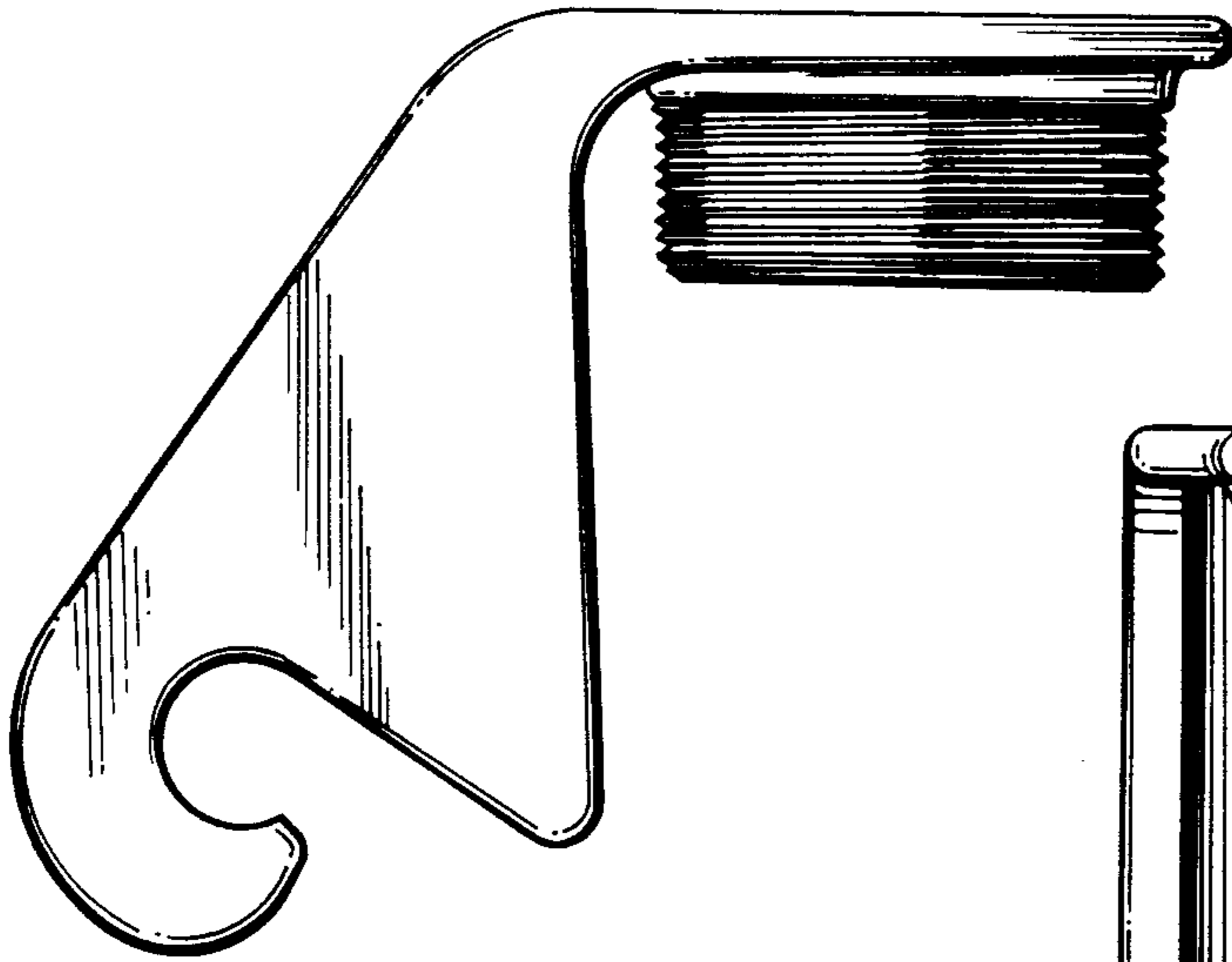


FIG-2

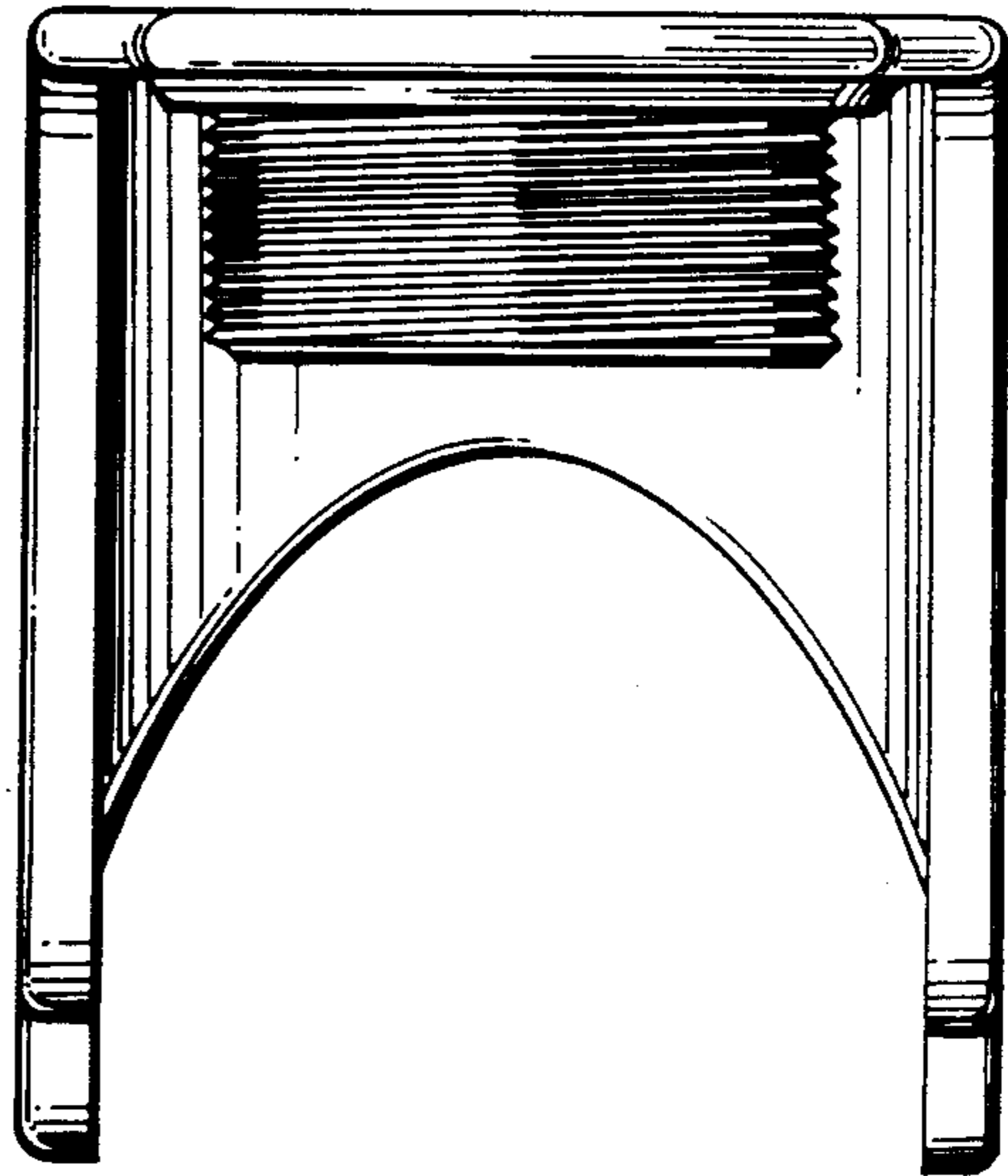


FIG-4

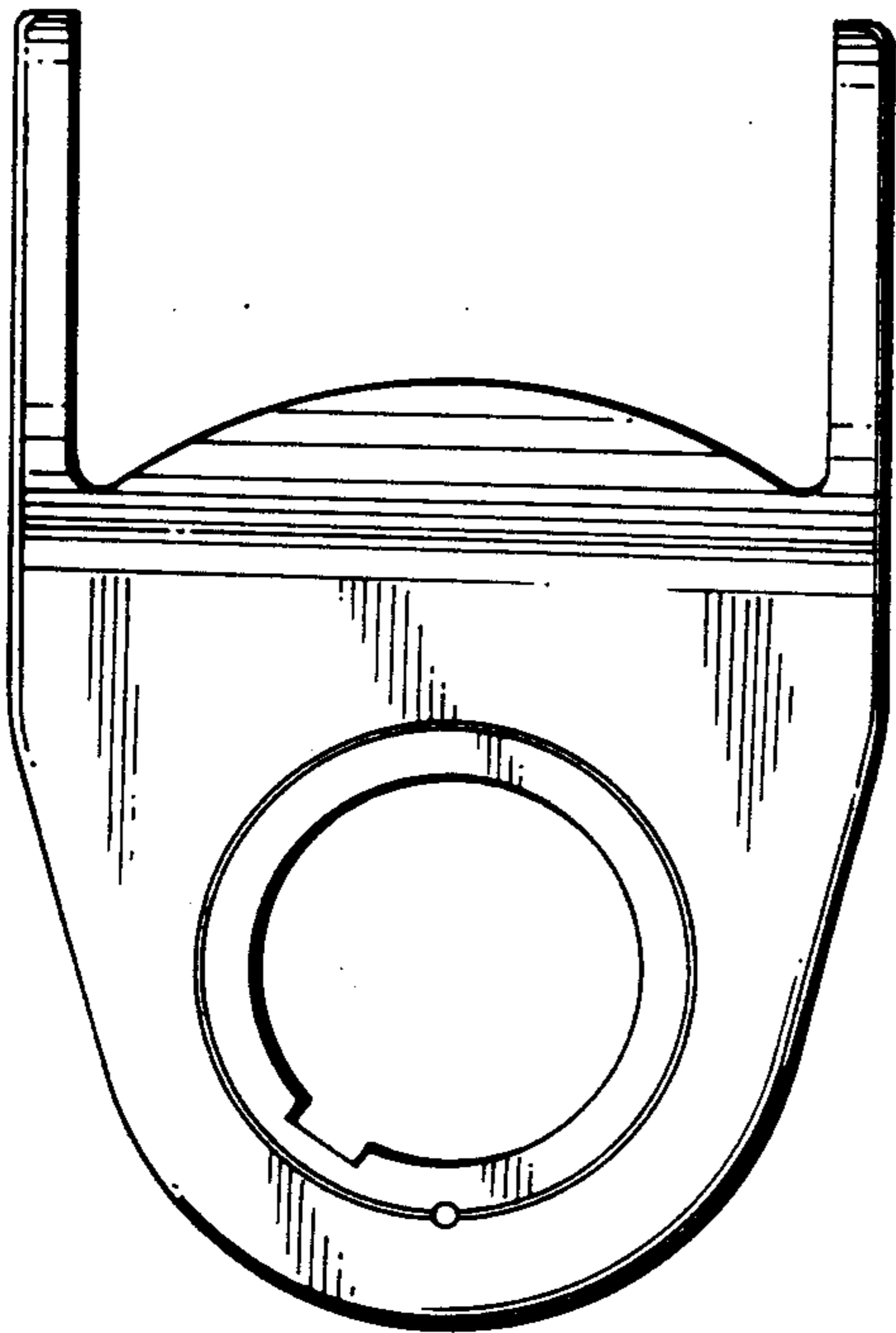


FIG-5

