

[54] VAN

[75] Inventor: **Wayne M. Mertes**, Sun Valley, Calif.

[73] Assignee: **Dolphin Camper Company**, Sun Valley, Calif.

[**] Term: **14 Years**

[21] Appl. No.: **875,629**

[22] Filed: **Feb. 6, 1978**

[51] Int. Cl. **D12-08**

[52] U.S. Cl. **D12/99**

[58] Field of Search **D12/99, 100**

[56] **References Cited**

U.S. PATENT DOCUMENTS

- D. 239,101 3/1976 Baer D12/100
- D. 249,881 10/1978 Ginouhiac D12/100

OTHER PUBLICATIONS

Recreational Vehicle and Travel Show Supplement to the Washington Star, 1/13/78, p. 5, Trans Van, center right side of page.

Primary Examiner—James M. Gandy
Attorney, Agent, or Firm—Poms, Smith, Lande & Rose

[57] **CLAIM**

The ornamental design for a van, substantially as shown and described.

DESCRIPTION

FIG. 1 is a top plan view of a van showing my new design;

FIG. 2 is a side elevational view thereof;

FIG. 3 is a front elevational view thereof; and

FIG. 4 is a rear elevational view thereof.

The side of the van opposite to that shown in FIG. 2 is substantially a mirror image thereof.

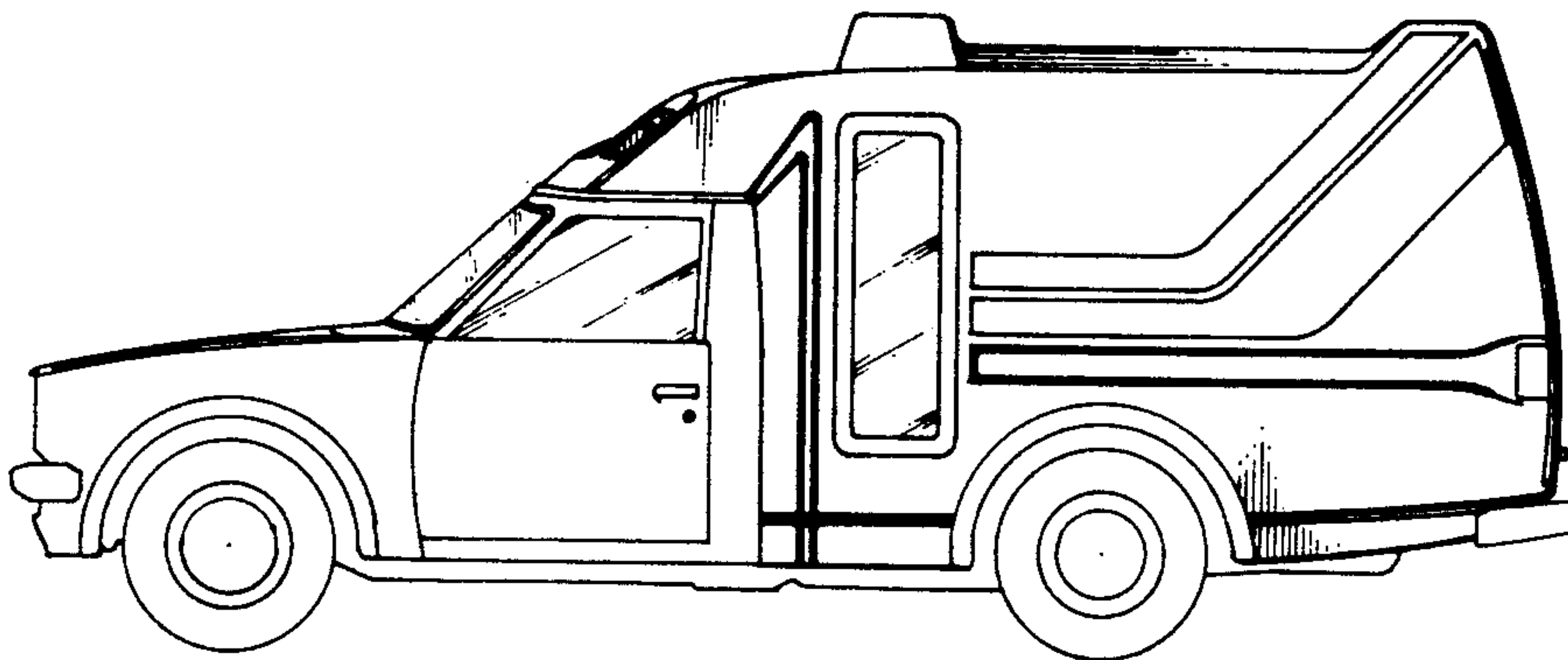


Fig. 1.

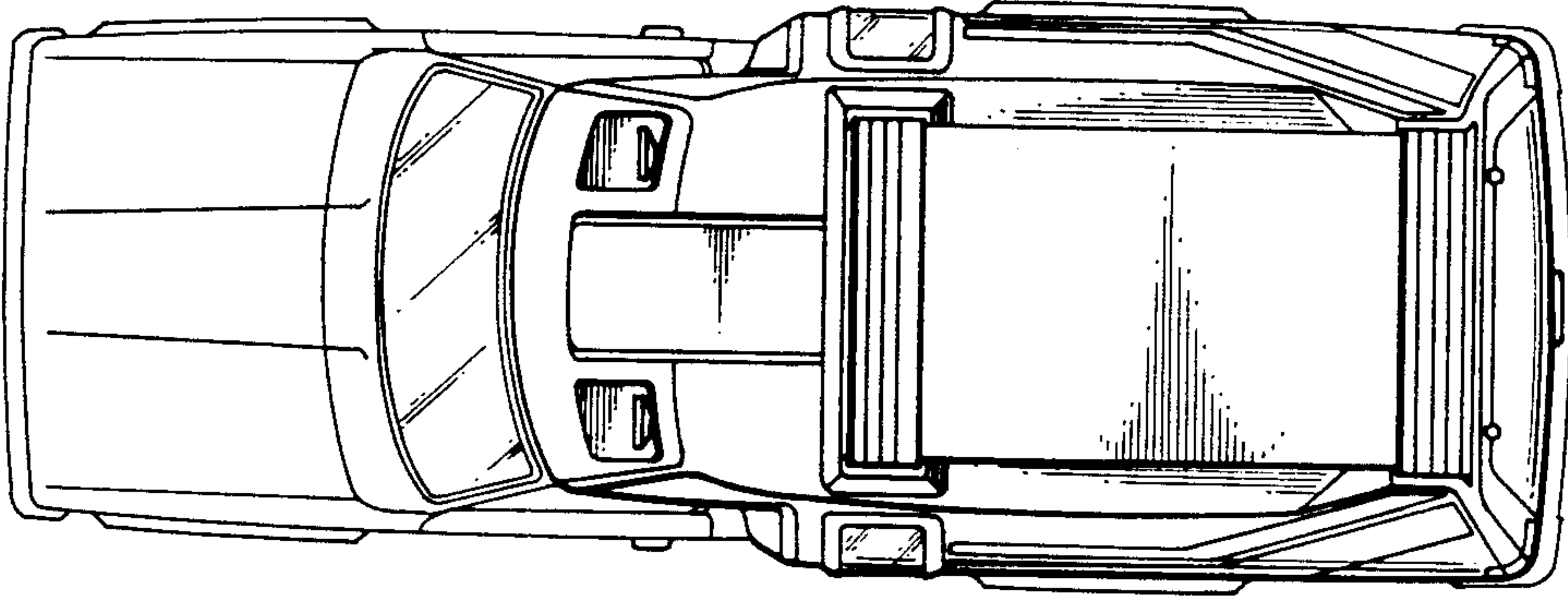


Fig. 2.

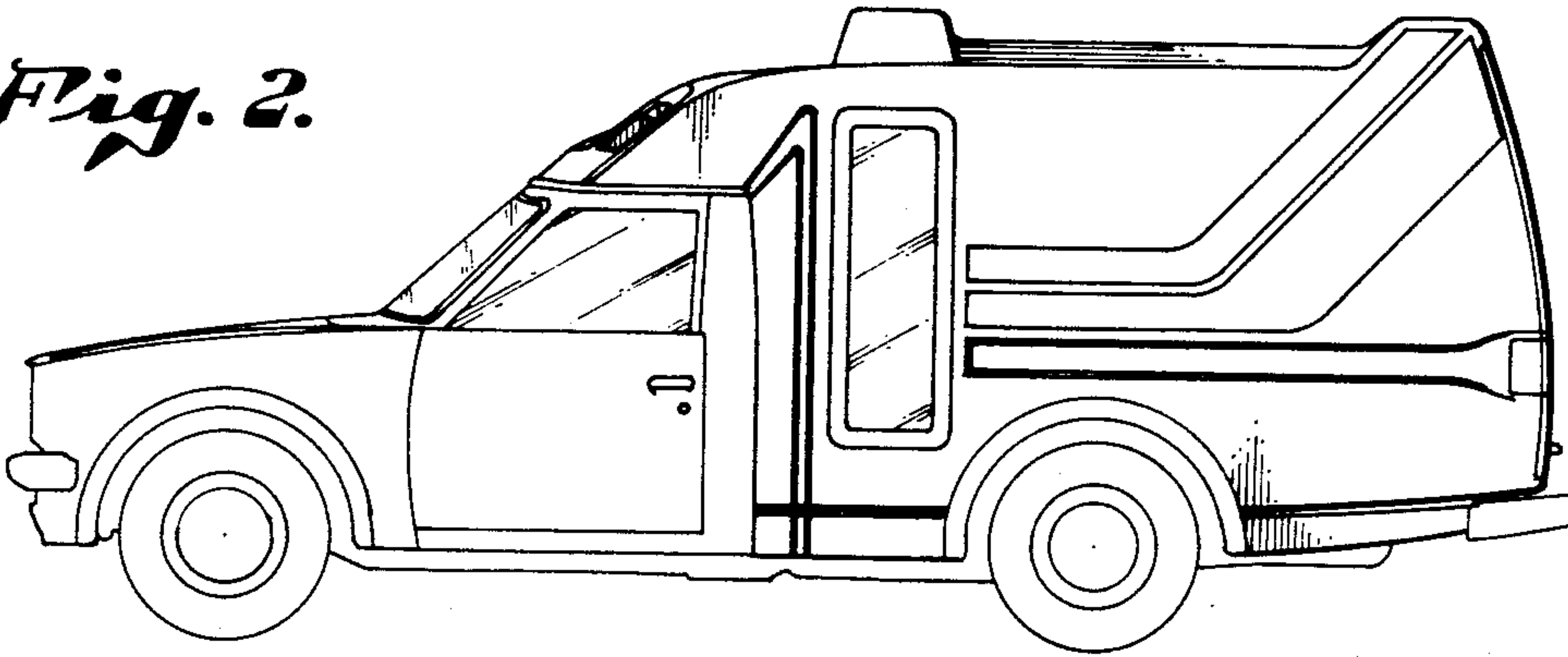


Fig. 3.

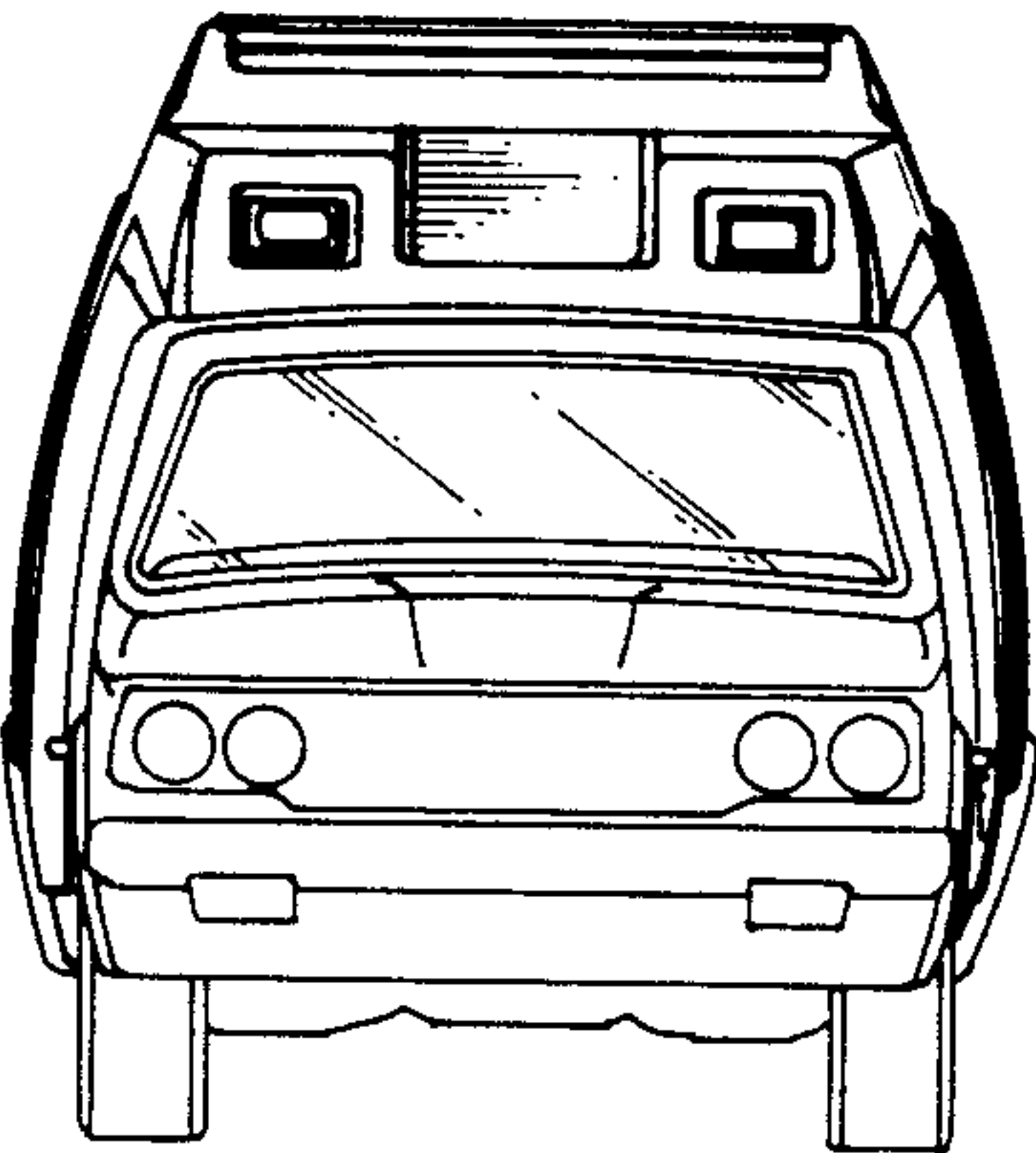


Fig. 4.

