

[54] GUN FOR DETERMINING CURRENT OR POWER IN AN ELECTRICAL CONDUCTOR

[75] Inventors: Wesley B. Davis, Canal Winchester; Jeffrey A. Dierker, Westerville, both of Ohio

[73] Assignee: F. W. Bell, Inc., Columbus, Ohio

[**] Term: 14 Years

[21] Appl. No.: 852,177

[22] Filed: Nov. 16, 1977

[51] Int. Cl. D10-04

[52] U.S. Cl. D10/79

[58] Field of Search D10/46, 75, 78, 79, D10/80, 103; 324/72 R, 72.5, 73, 117, 127, 129

[56] References Cited

U.S. PATENT DOCUMENTS

D. 190,648 6/1961 Goody D10/79

D. 203,181	12/1965	Koch	D10/79 X
D. 249,876	10/1978	Maxwell	D10/79
3,449,668	6/1969	Blackwell	324/72
3,996,511	12/1976	Baer	324/72.5

Primary Examiner—Nelson C. Holtje
Attorney, Agent, or Firm—Vincent G. Gioia

[57] CLAIM

The ornamental design for a gun for determining current or power in an electrical conductor, substantially as shown and described.

DESCRIPTION

FIG. 1 is a top and right rear perspective view of a gun for determining current or power in an electrical conductor;

FIG. 2 is a right side elevational view thereof, the left side being substantially a mirror image thereto;

FIG. 3 is a top plan view thereof;

FIG. 4 is a bottom plan view thereof;

FIG. 5 is a front elevational view thereof;

FIG. 6 is a rear elevational view thereof.

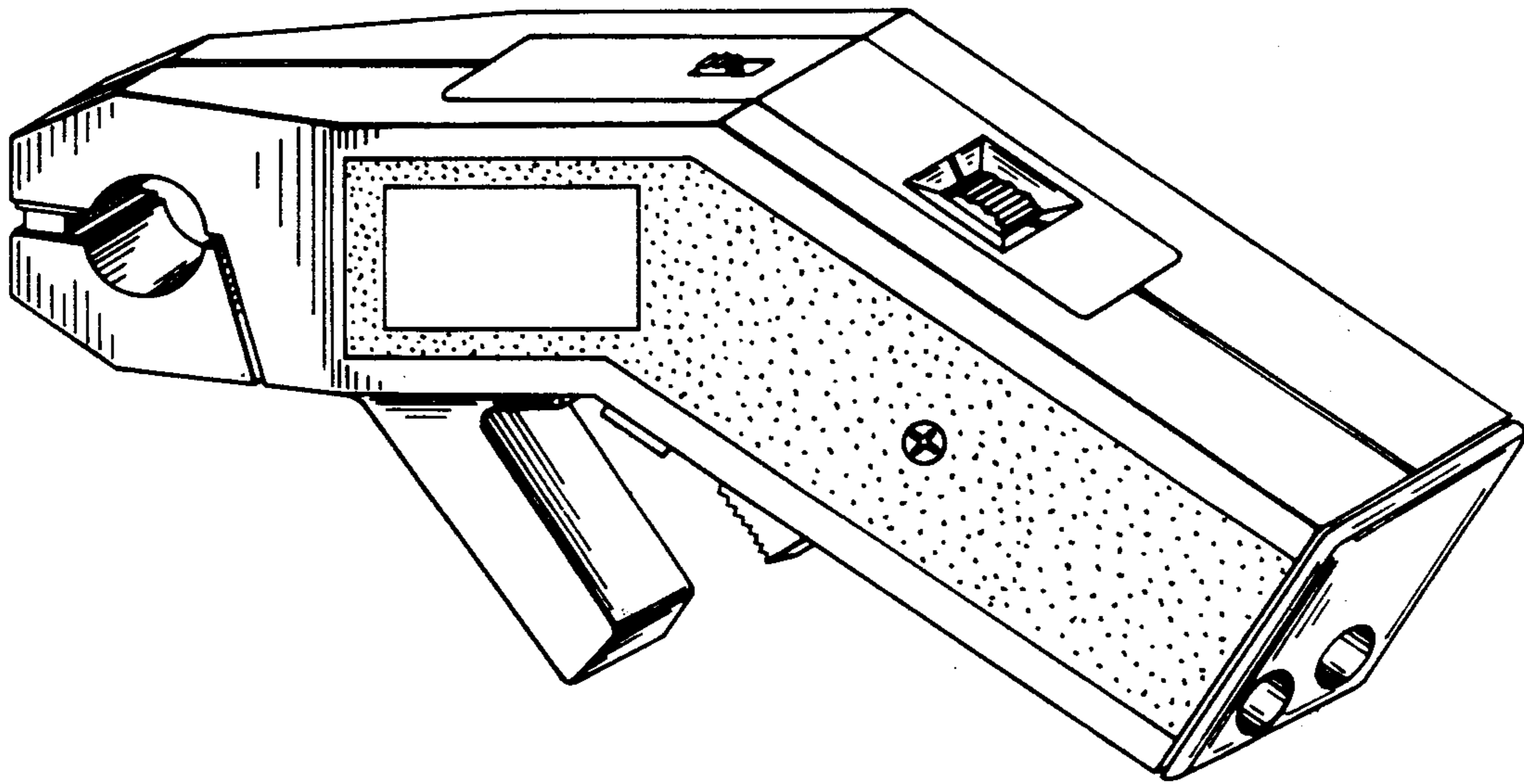


FIG. 1.

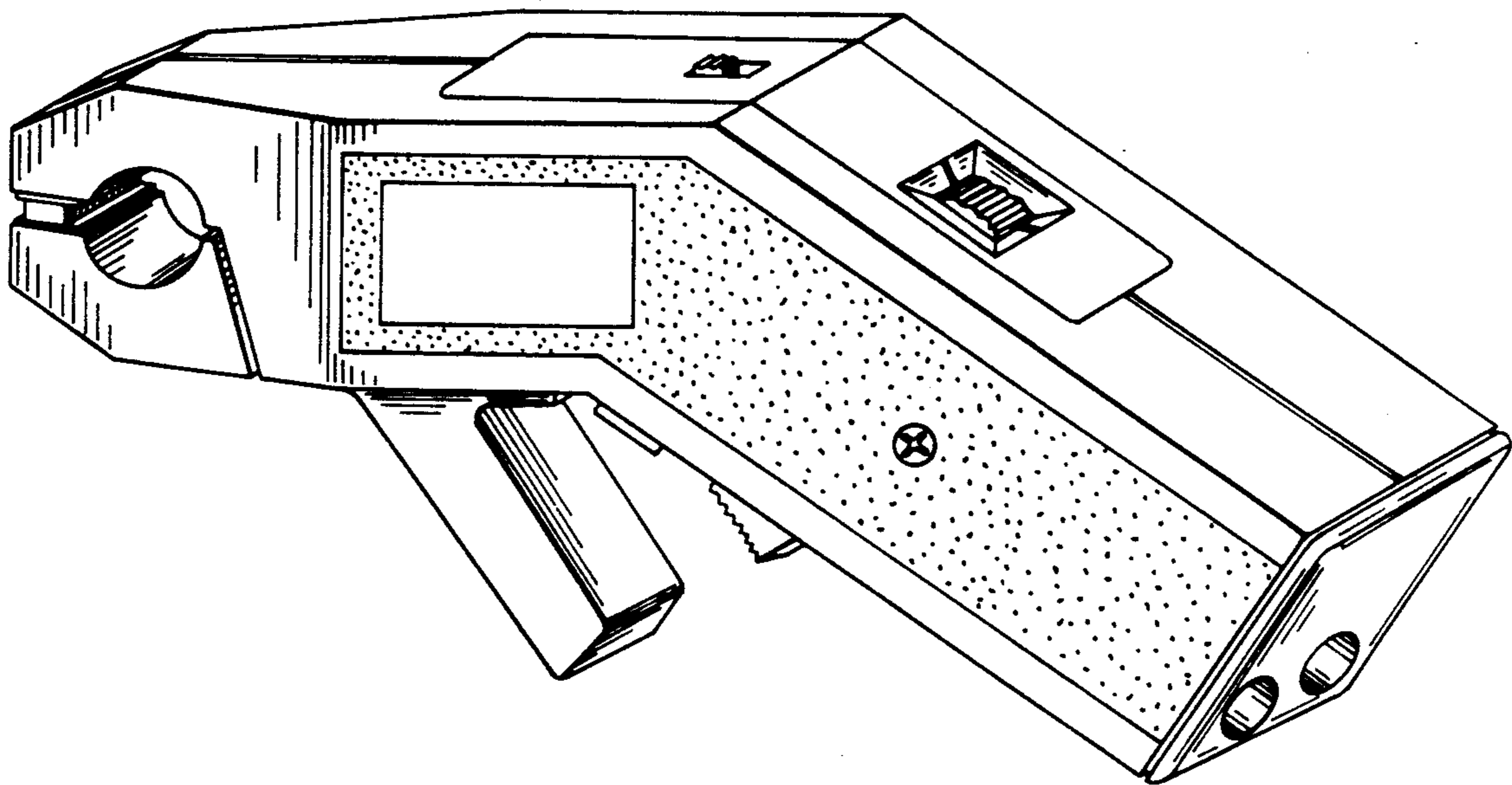
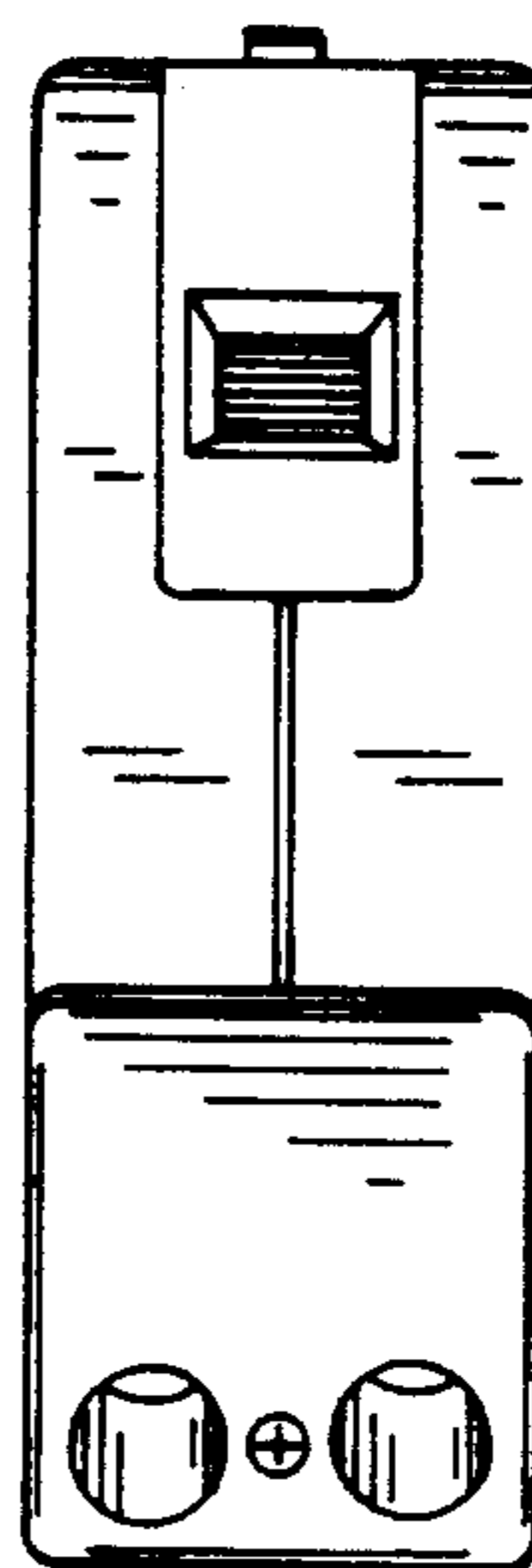


FIG. 5.



FIG. 6.



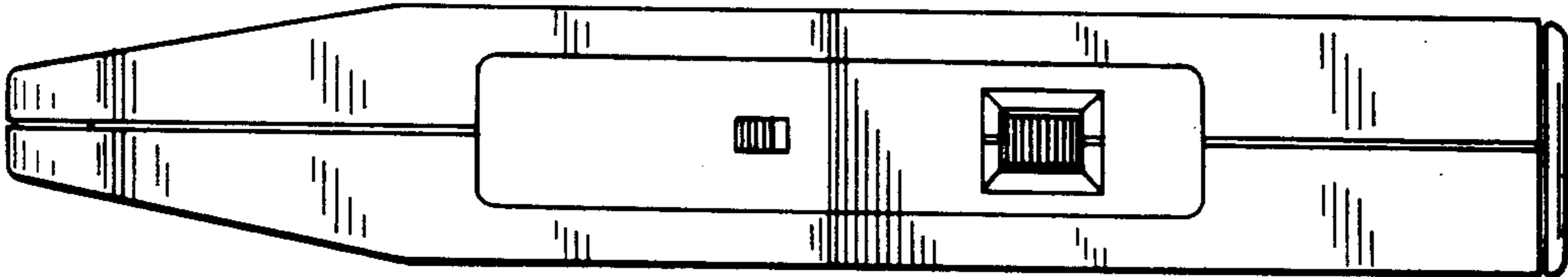


FIG. 3.

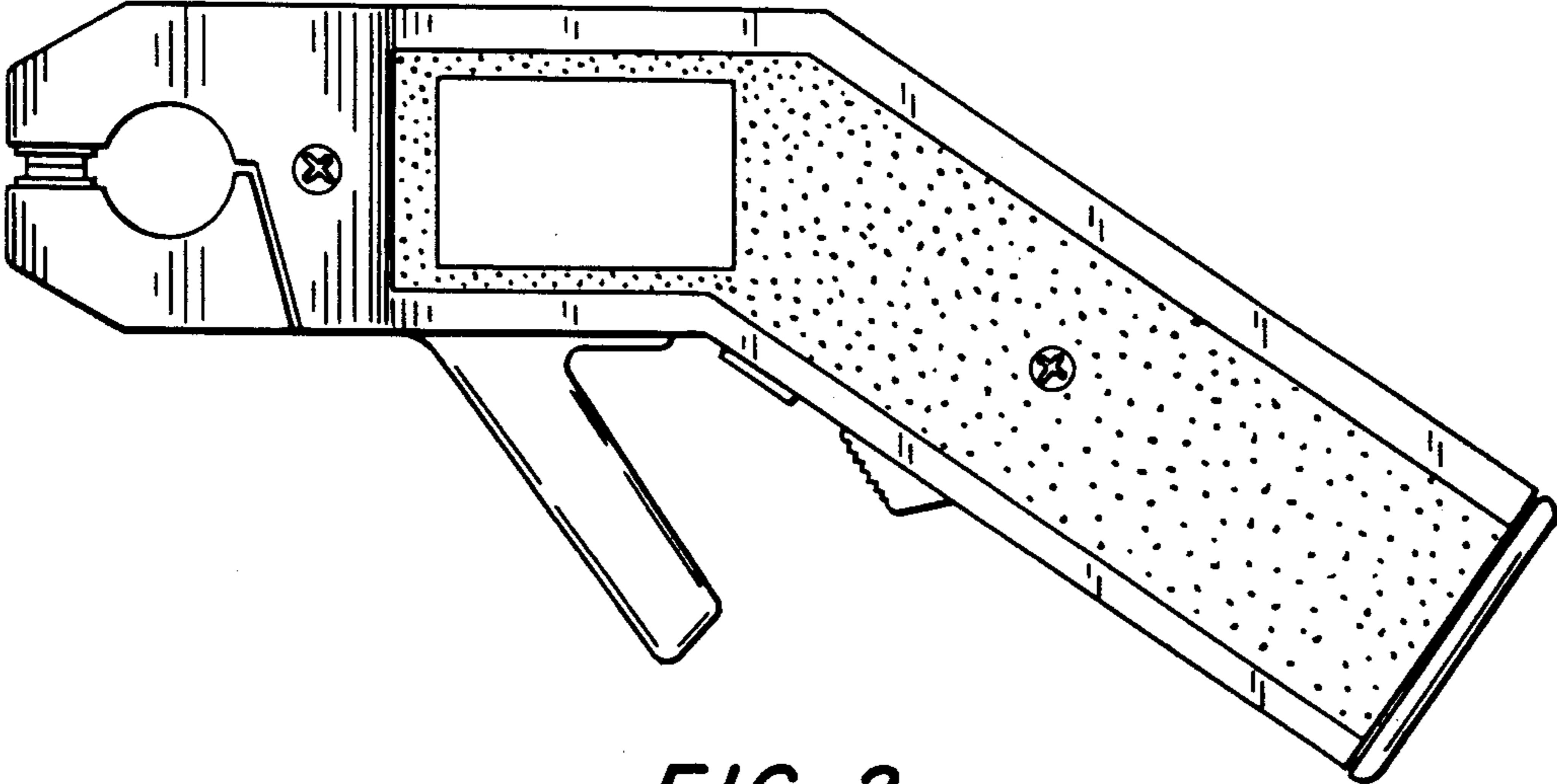


FIG. 2.

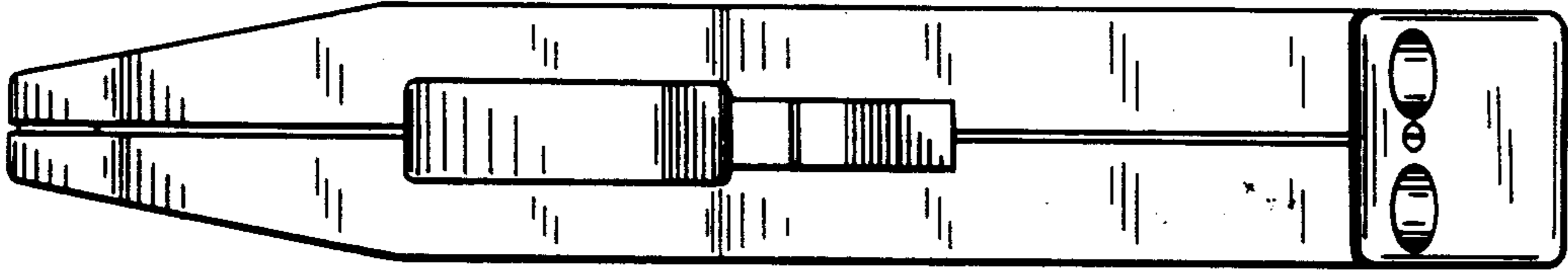


FIG. 4.