

[54] ROOFING SAFETY BRACKET

[76] Inventors: John H. Glynn, 7 Richgrove Dr., Apt. 1006, Weston, Ontario M9R 2L1, Canada; Patrick J. Glynn, 21 Richgrove Dr., Apt. 712, Weston, Ontario M9R 2L2, Canada

[\*\*] Term: 14 Years

[21] Appl. No.: 888,035

[22] Filed: Mar. 20, 1978

[51] Int. Cl. .... D8-08

[52] U.S. Cl. .... D8/356; D8/349; D8/366

[58] Field of Search ..... 248/536, 300, 237, 228; 182/45, 3; 403/232, 1, 188; 52/714, 715, 82, 712, 181; 16/93 DS; 174/135; D8/349, 334, 380, 381, 394, 366

[56] References Cited

U.S. PATENT DOCUMENTS

1,848,085	3/1932	Eisenschmidt .....	D8/380 X
3,743,228	7/1973	Drab .....	248/222
3,998,026	12/1976	Allen .....	52/715 X

FOREIGN PATENT DOCUMENTS

612448	4/1935	Fed. Rep. of Germany .....	182/45
--------	--------	----------------------------	--------

Primary Examiner—A. Hugo Word

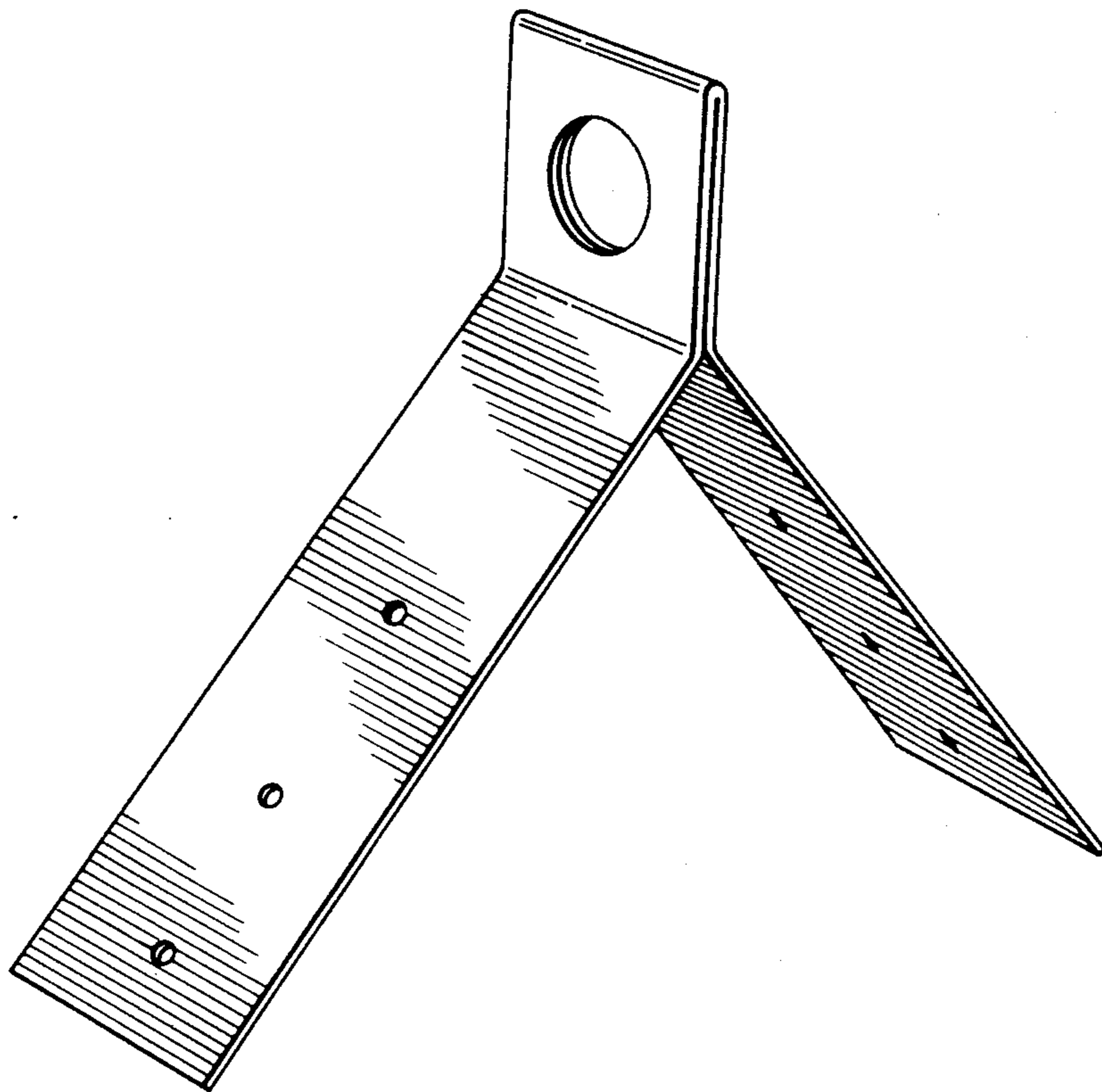
Attorney, Agent, or Firm—Sim & McBurney

[57] CLAIM

The ornamental design for a roofing safety bracket, as shown.

DESCRIPTION

FIG. 1 is a perspective view of a roofing safety bracket showing our design; FIG. 2 is a side elevational view thereof; and FIG. 3 is an end elevational view thereof.



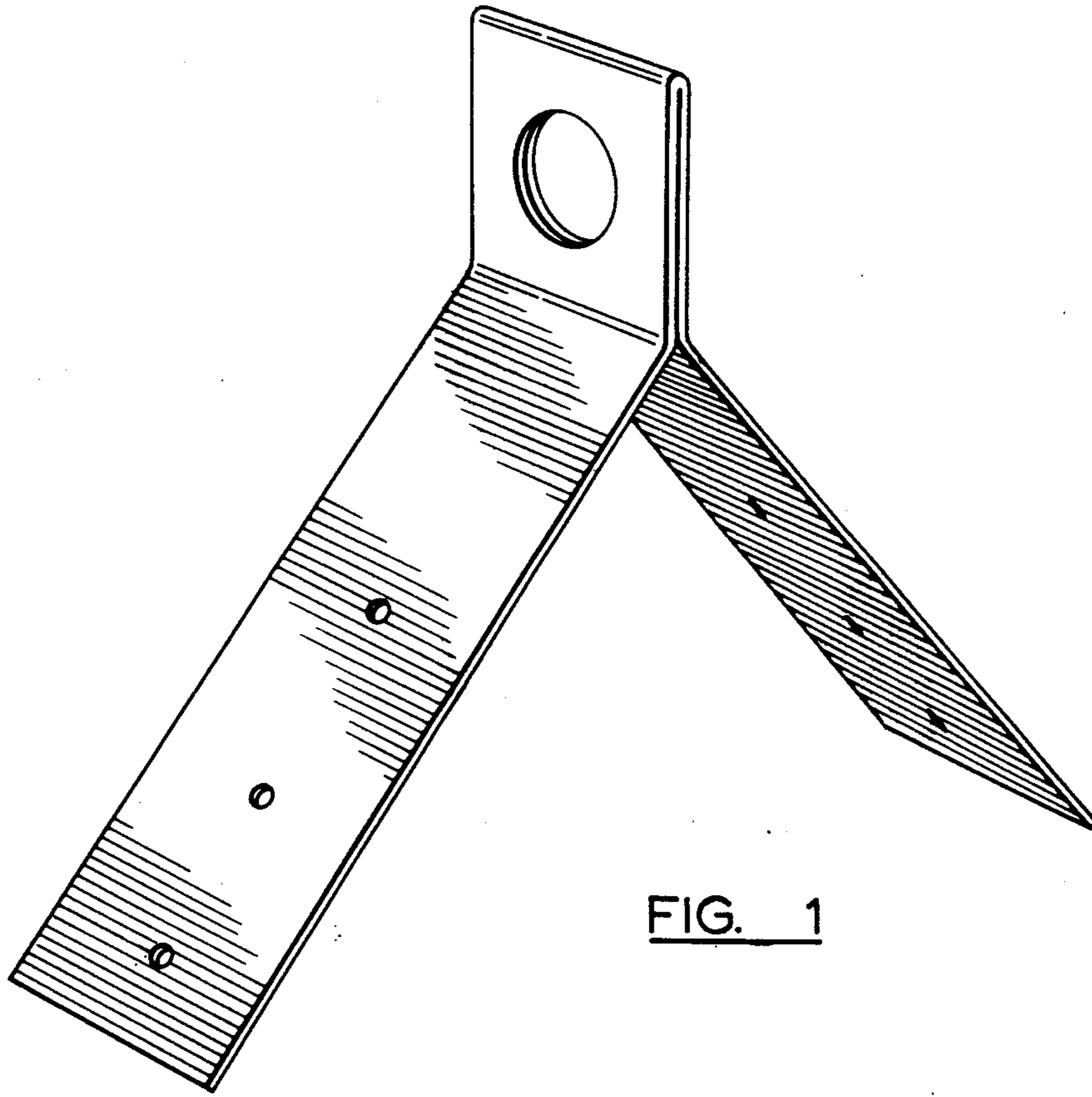


FIG. 1

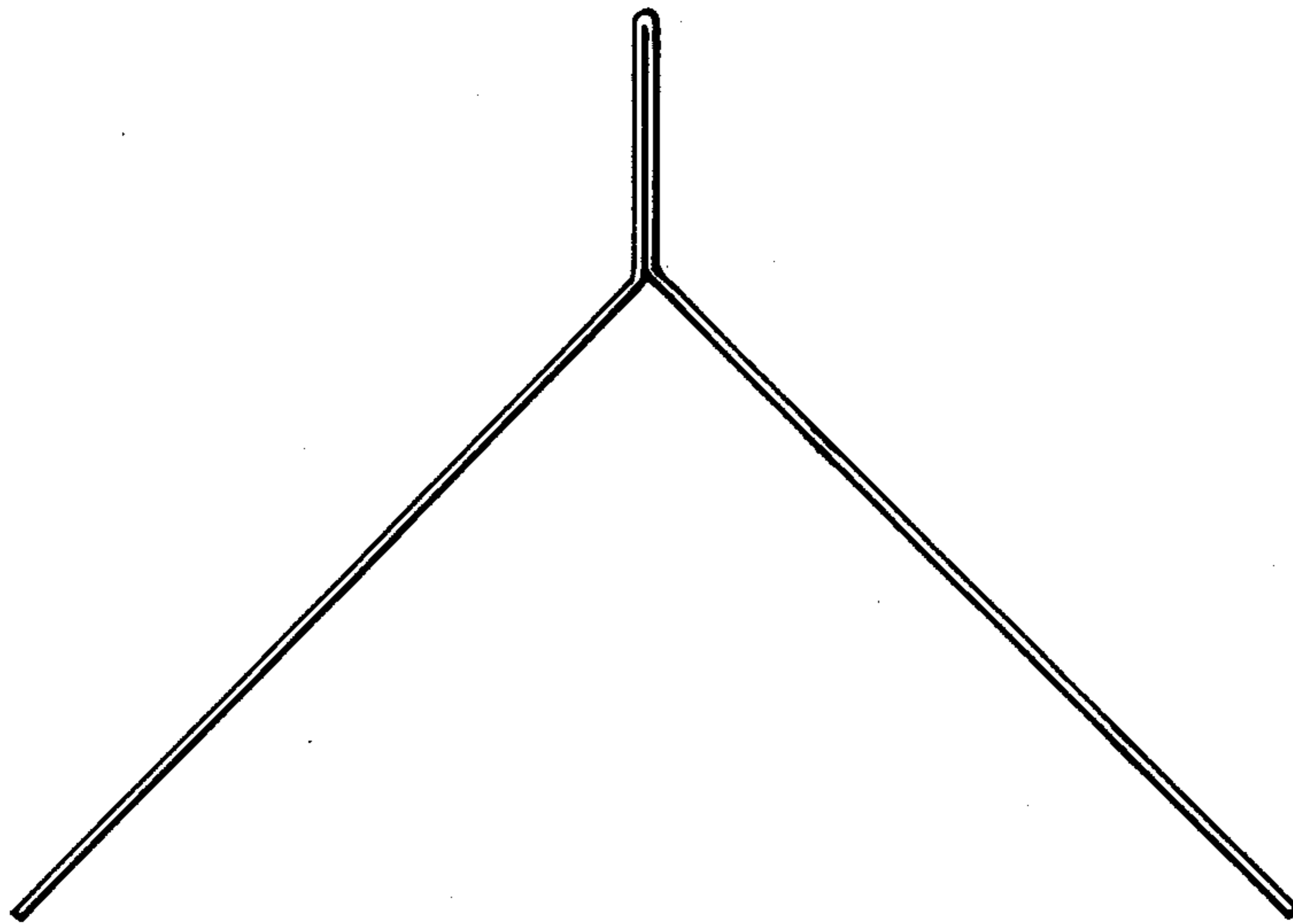


FIG. 2

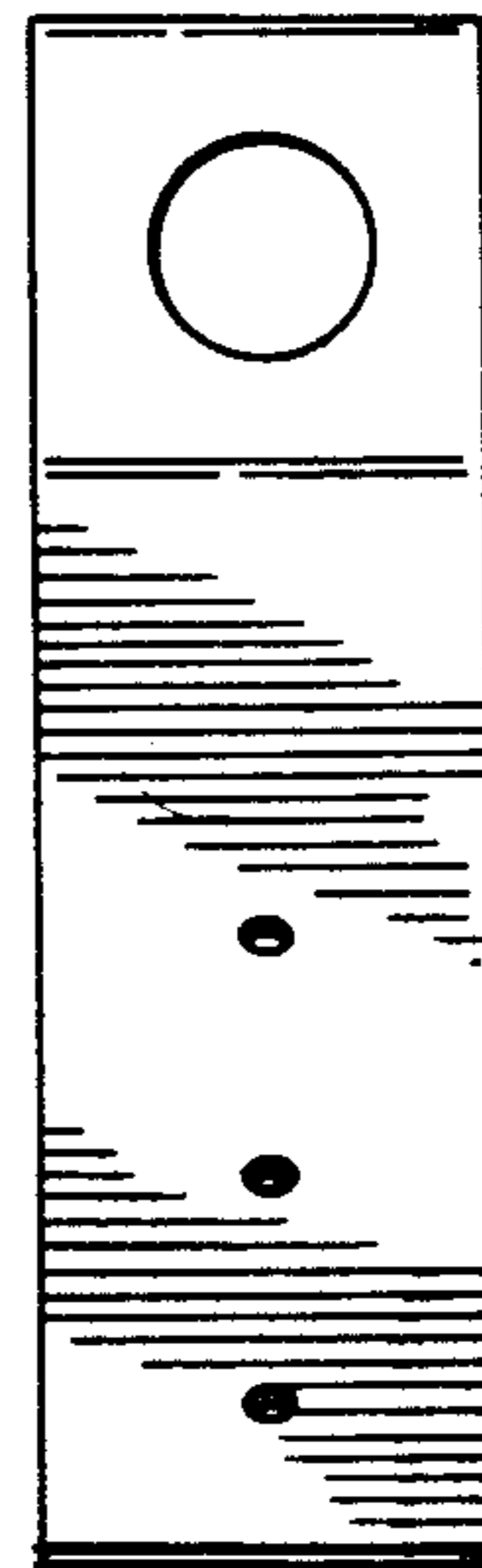


FIG. 3