

[54] STRAW DISPENSER

[76] Inventor: Douglas Armstrong, 1420 Warden Ave., Scarborough, Ontario, Canada

[**] Term: 7 Years

[21] Appl. No.: 836,915

[22] Filed: Sep. 26, 1977

[30] Foreign Application Priority Data

May 12, 1977 [CA] Canada 1205773

[51] Int. Cl. D07-06

[52] U.S. Cl. D7/75; 312/45

[58] Field of Search D7/72, 75; 312/73, 45; 211/49 D; 222/457; 221/191, 194, 197, 287; D6/85.1, 130

[56]

References Cited

U.S. PATENT DOCUMENTS

D. 229,157	11/1973	Smith	D7/72
D. 250,241	11/1978	Braginetz	D6/130 X
811,501	1/1906	Heinrich et al.	221/197 X
897,789	9/1908	Schneider	312/45 X
1,358,884	11/1920	Shelton	312/73
2,556,599	6/1951	Raymond	312/73
3,938,701	2/1976	Jones	D7/75 X

Primary Examiner—Winifred E. Herrmann
Attorney, Agent, or Firm—W. L. Hayhurst

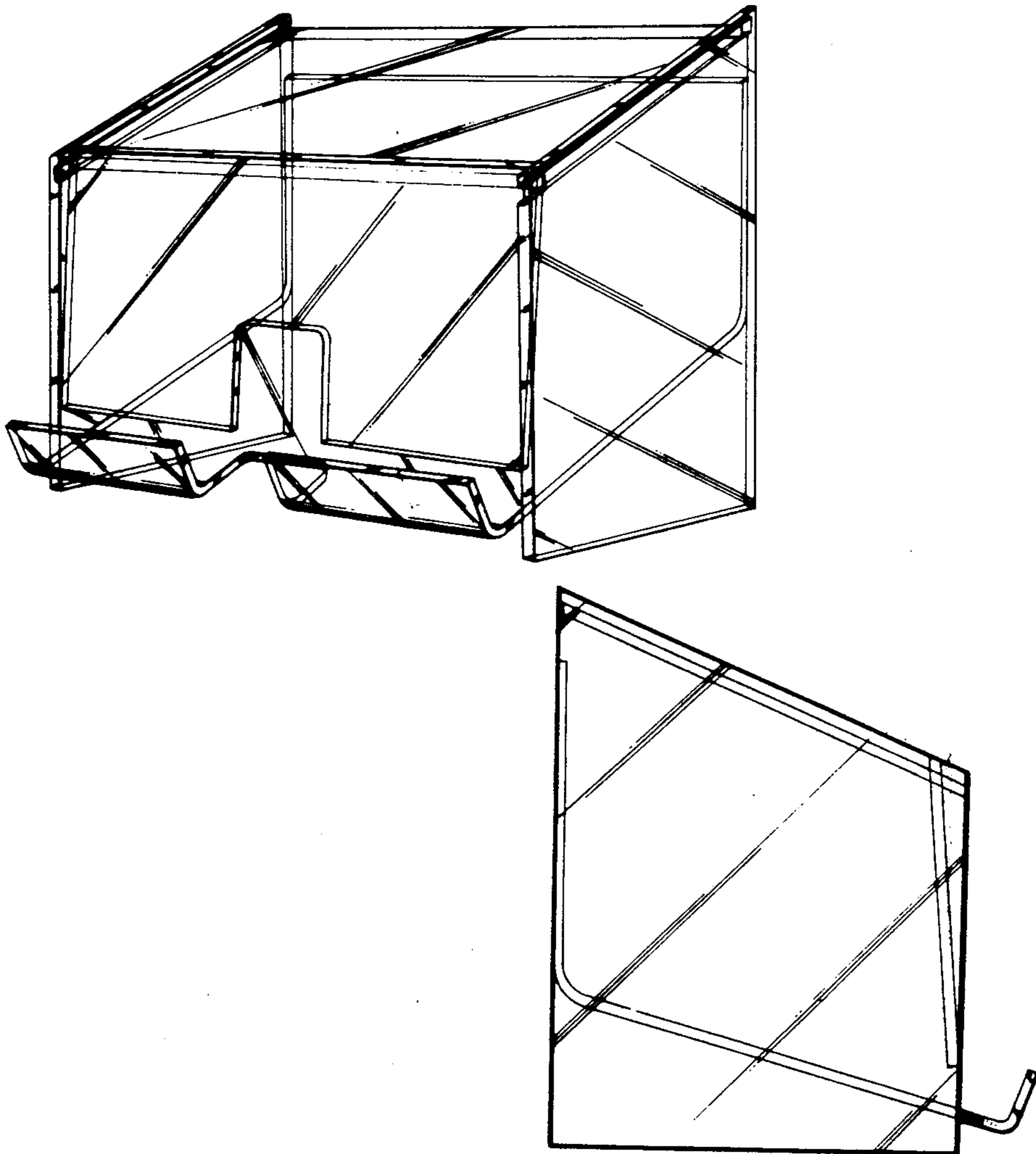
[57]

CLAIM

The ornamental design for a straw dispenser, as shown.

DESCRIPTION

FIG. 1 is a top front perspective view of a straw dispenser showing my new design; FIG. 2 is a bottom rear perspective view thereof; and FIG. 3 is a side elevational view thereof.



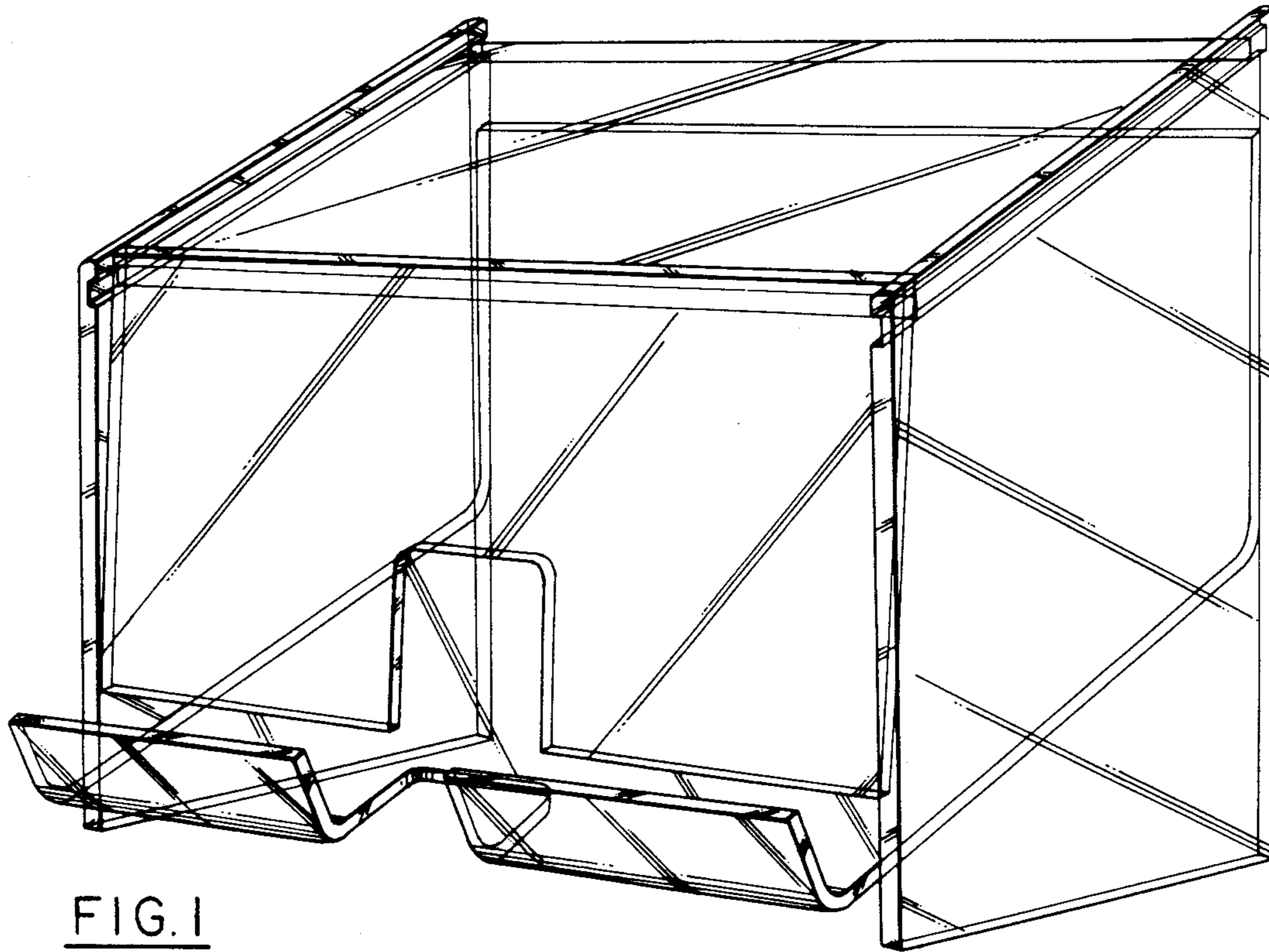


FIG. 1

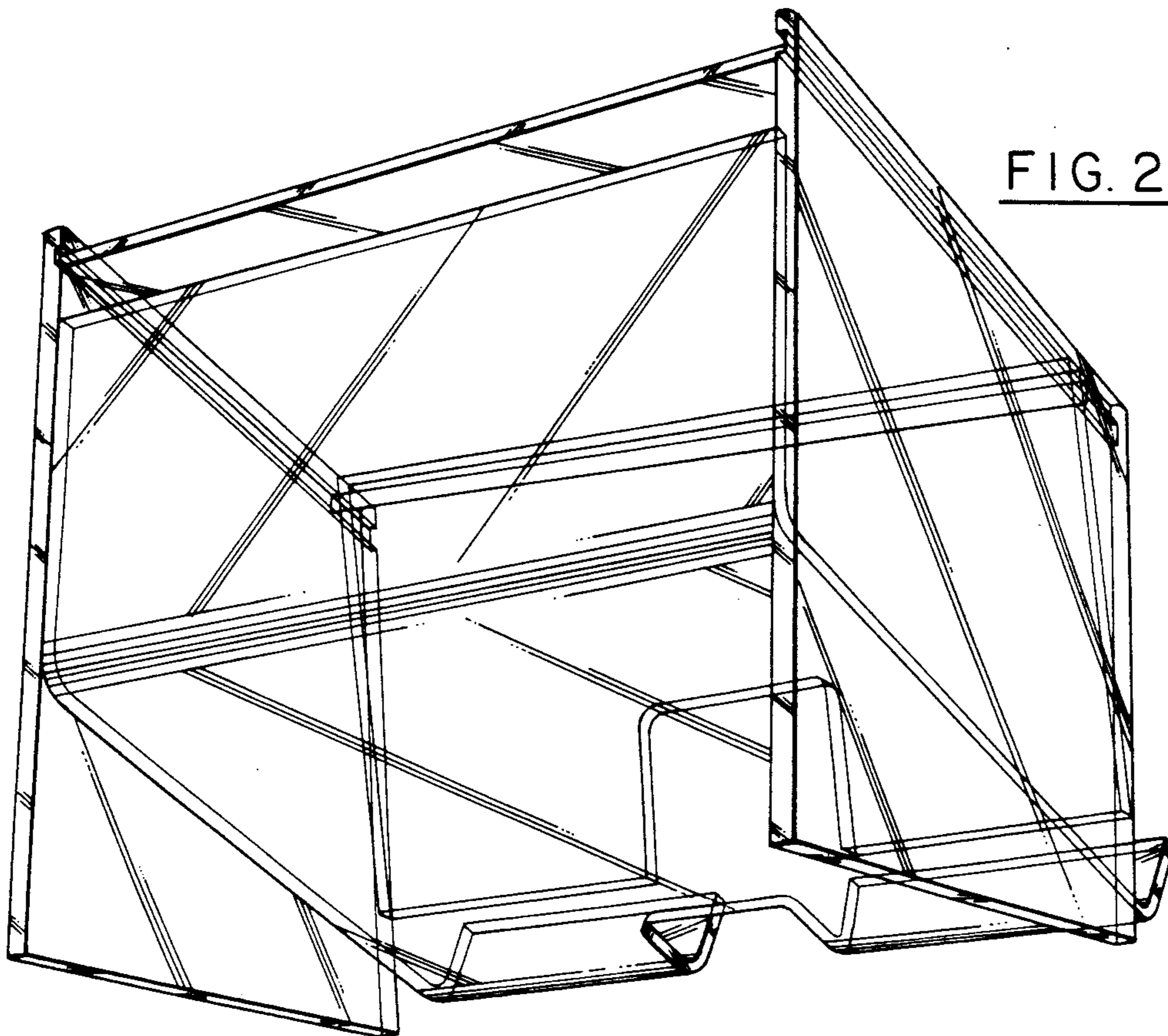


FIG. 2

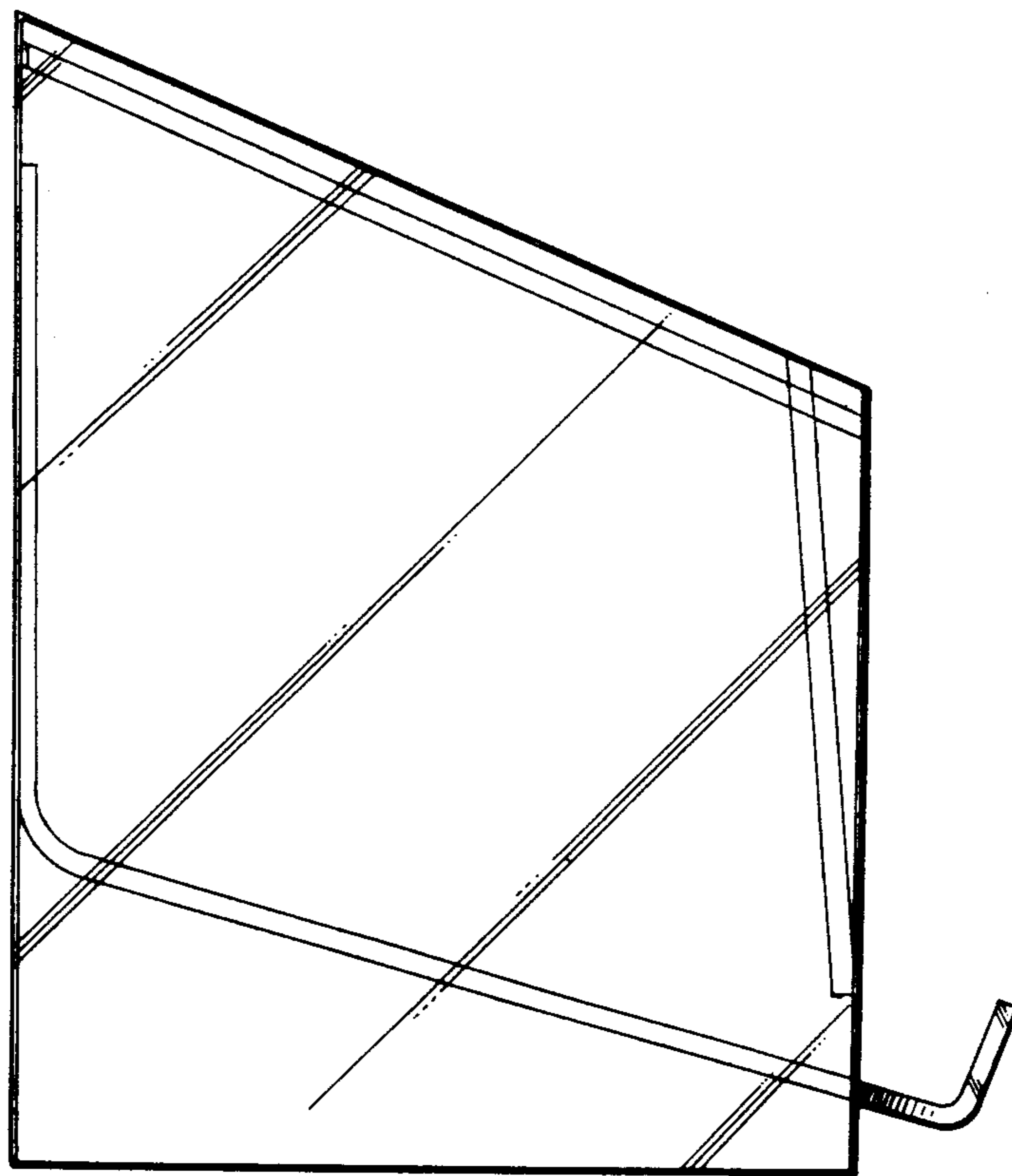


FIG.3