

[54] CARD FILE DRAWER

[75] Inventors: Gary A. Dolphin, Sr.; James F. Hampshire; Greg P. Terek, all of Winchester, Va.

[73] Assignee: Rubbermaid Commercial Products Inc., Winchester, Va.

[**] Term: 14 Years

[21] Appl. No.: 856,323

[22] Filed: Dec. 1, 1977

[51] Int. Cl. D6-06

[52] U.S. Cl. D6/191; D6/184; D19/76

[58] Field of Search D19/65, 75, 76, 78, D19/86, 90, 92, 99; 206/425, 557; D6/158, 184, 167, 191; 220/22.1-22.5

[56] References Cited

U.S. PATENT DOCUMENTS

D. 215,307	9/1969	Huck	D6/191
3,049,126	8/1962	Myers	220/22.3
3,785,521	1/1974	Little	220/22.3

OTHER PUBLICATIONS

Devoke Co. Cat. No. 77-1, 1977, p. 7. "Drawer Files".

Primary Examiner—Joel Stearman

Assistant Examiner—George P. Word

Attorney, Agent, or Firm—Hamilton, Renner & Kenner

[57] CLAIM

The ornamental design for a card file drawer, as shown and described.

DESCRIPTION

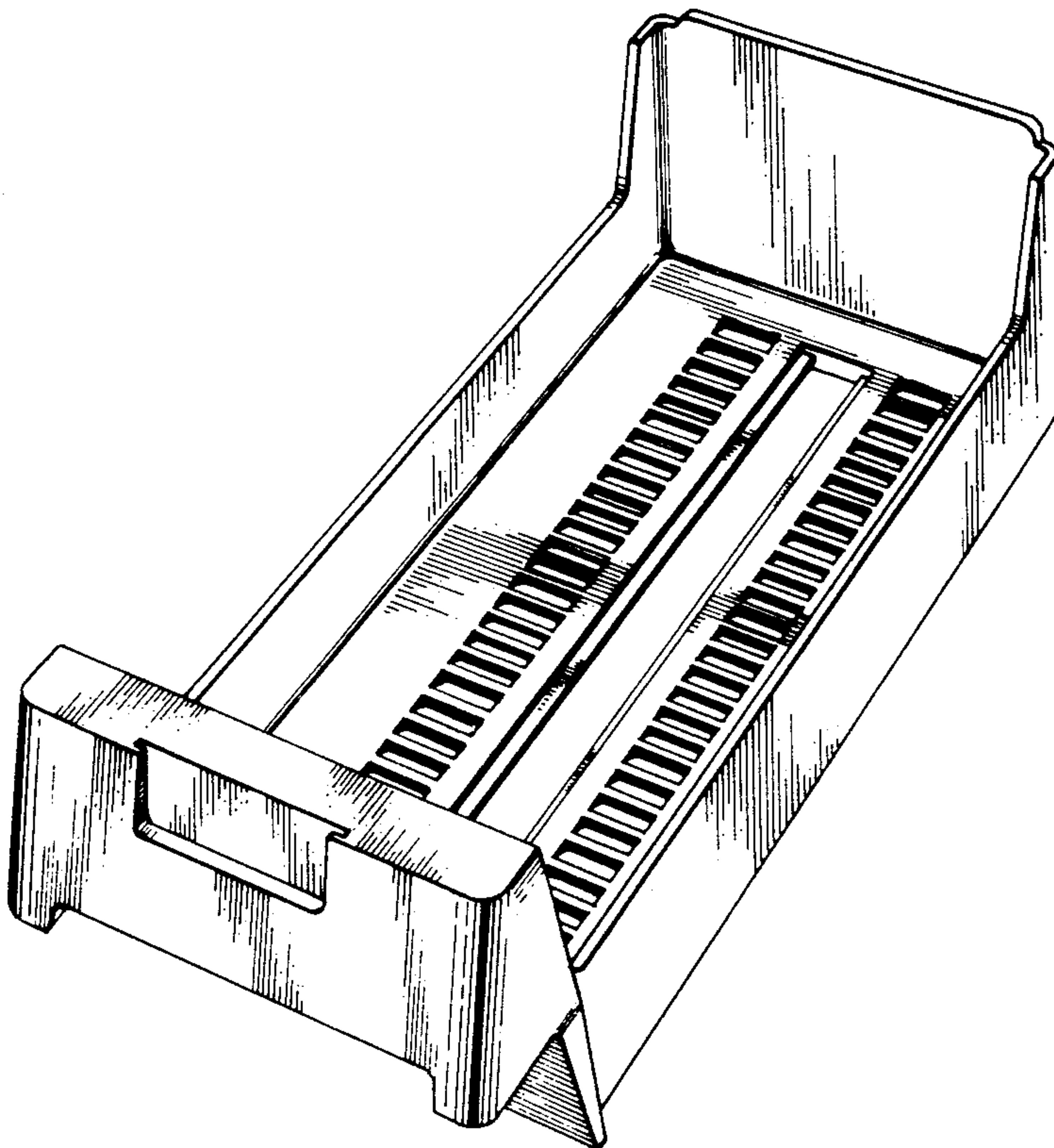
FIG. 1 is a front perspective view of a card file drawer embodying our new design.

FIG. 2 is a rear elevational view thereof.

FIG. 3 is a top plan view thereof, intermediate portions of the slots being omitted for convenience of illustration; and

FIG. 4 is a bottom plan view thereof.

The remote exterior side surface of the drawer is a mirror image of the exterior near side surface shown in FIG. 1.



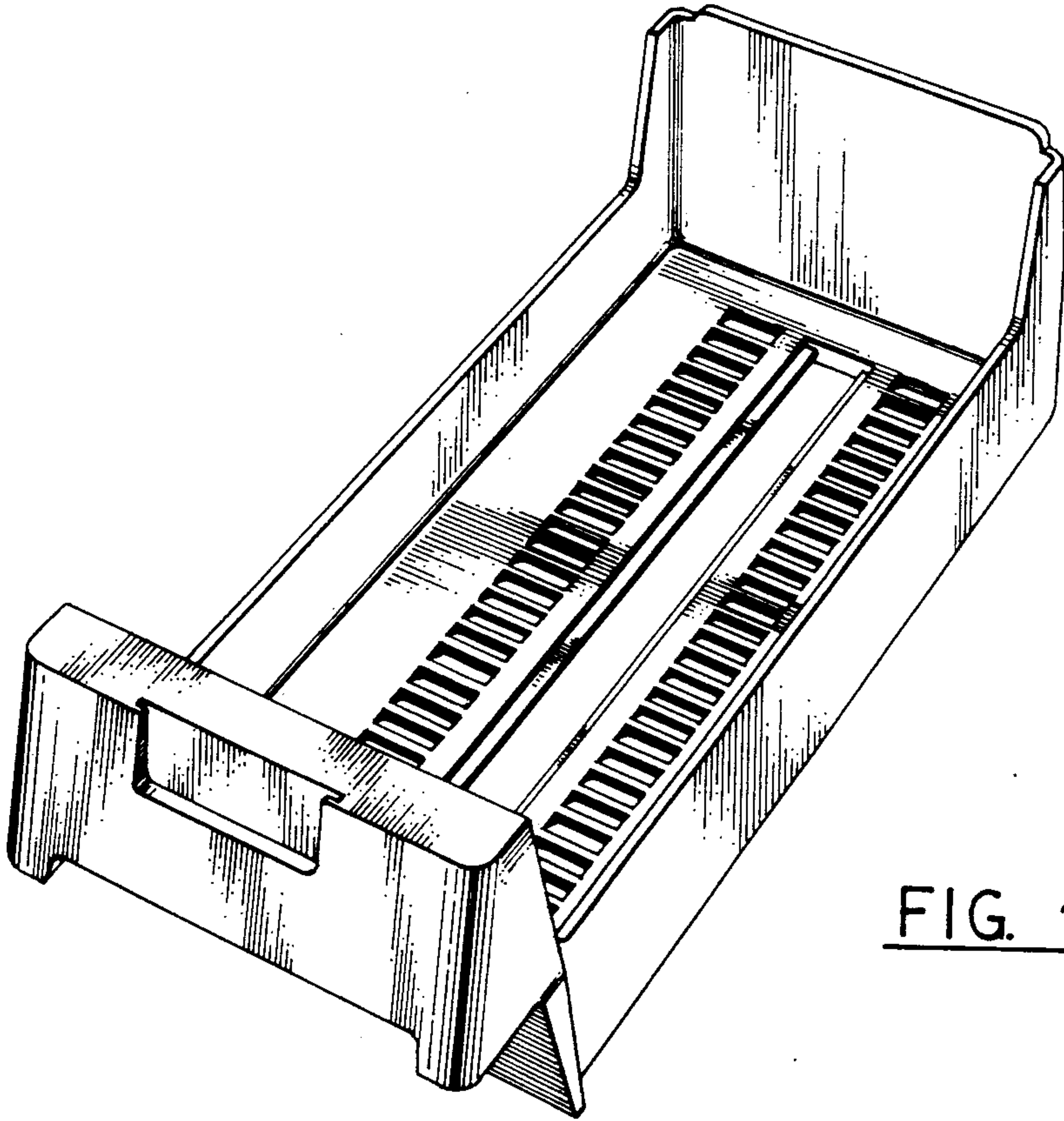


FIG. 1

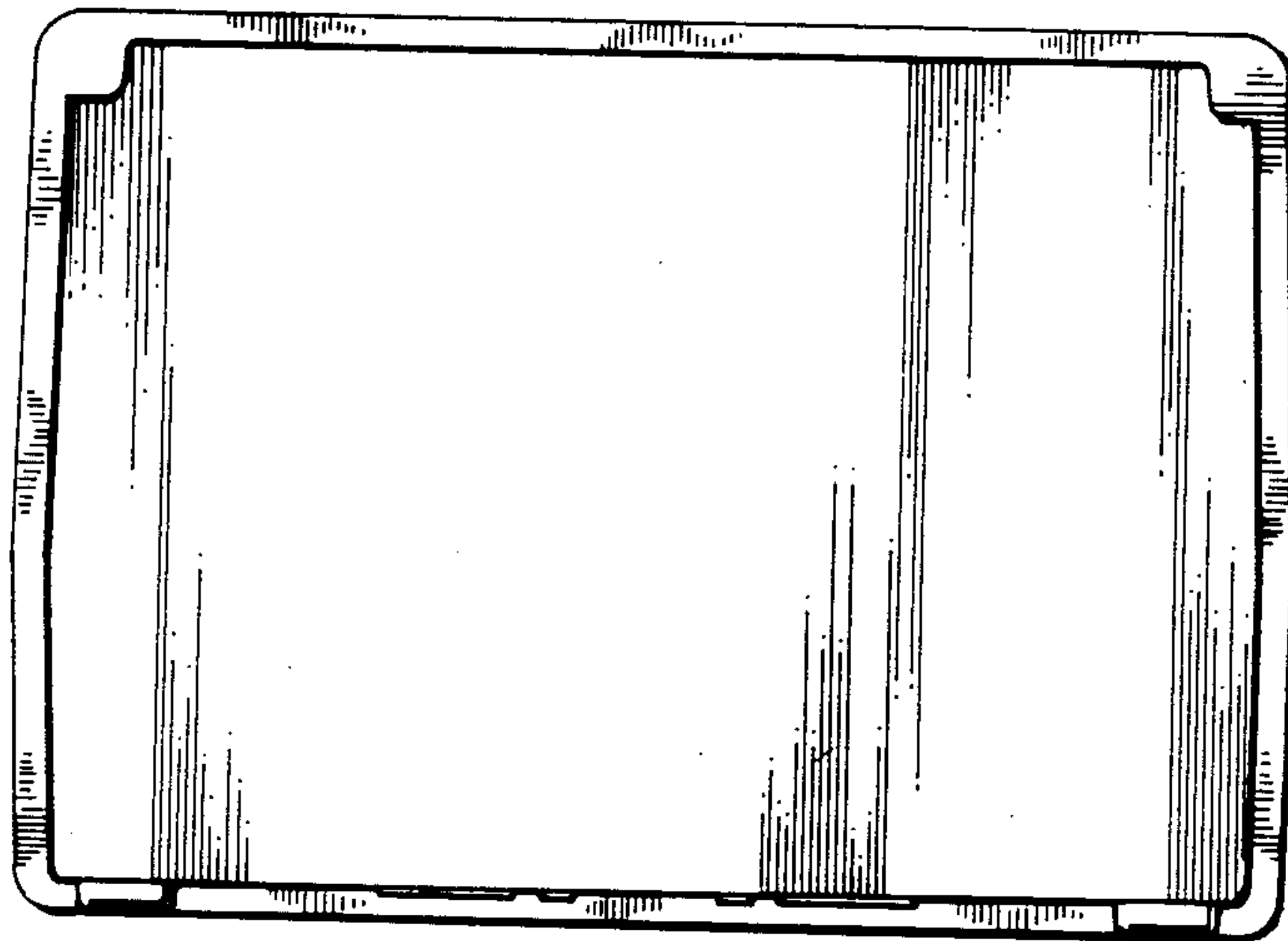


FIG. 2

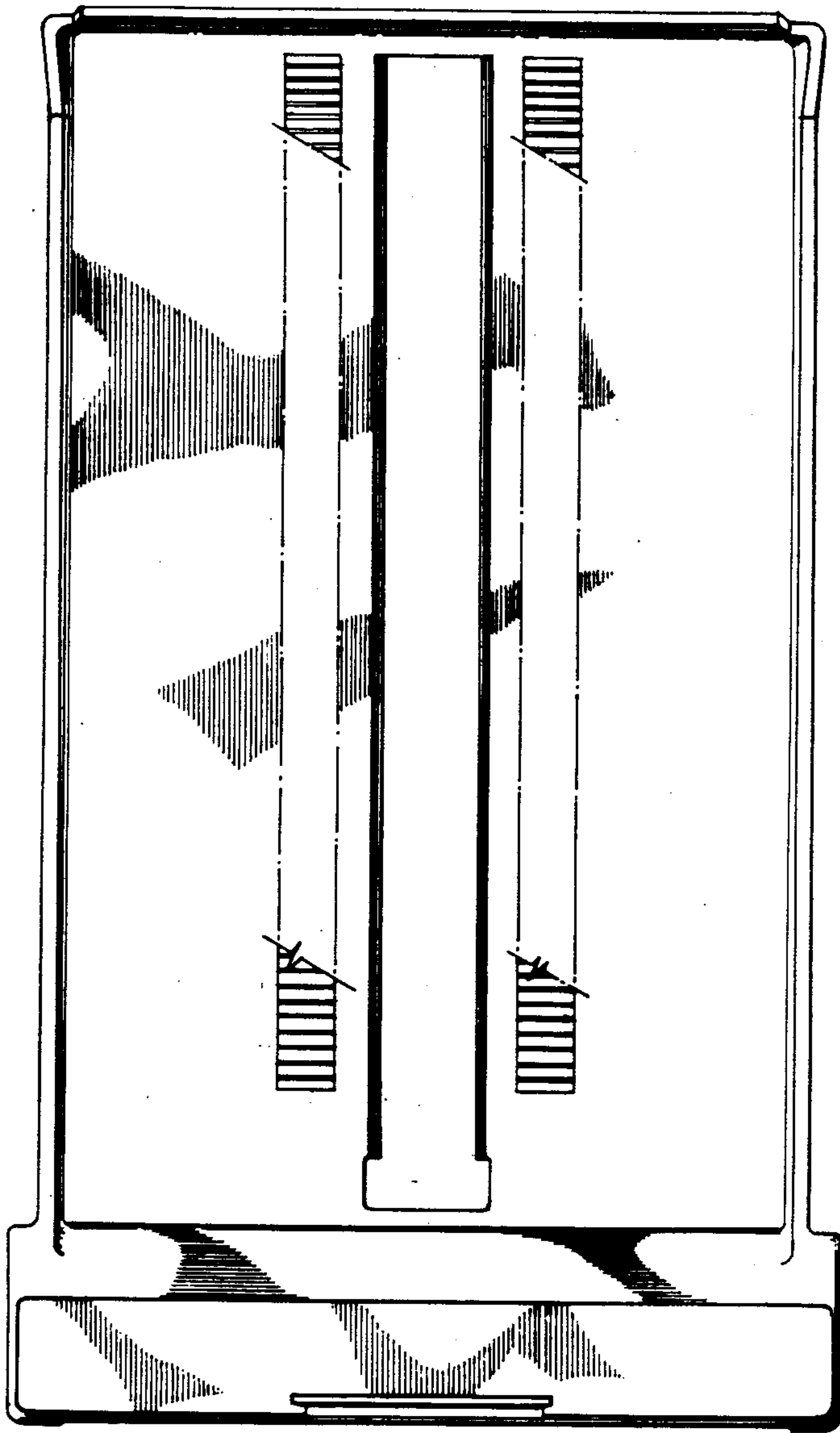


FIG. 3

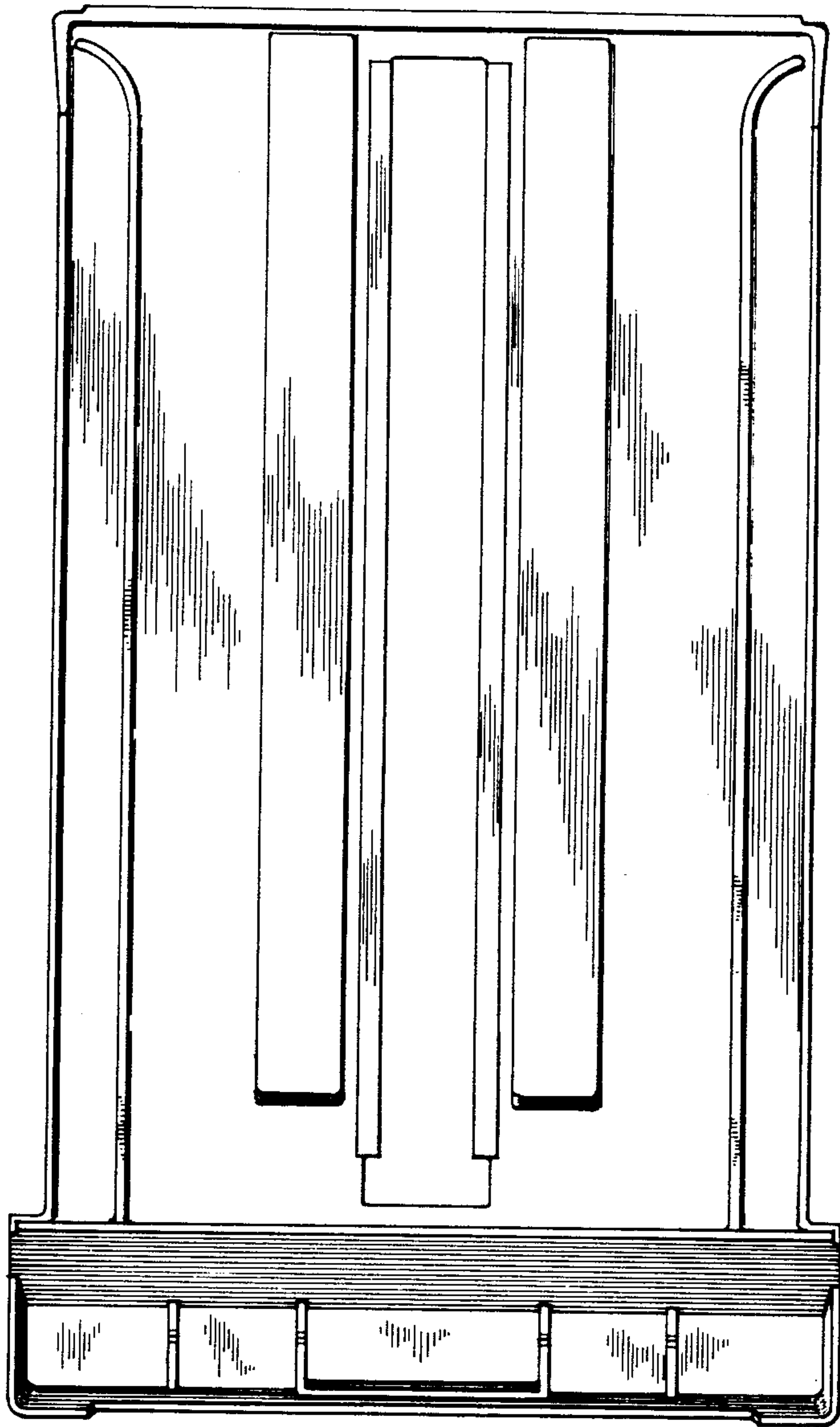


FIG. 4