

[54] CARRYING CARTON FOR SHOES OR THE LIKE

[75] Inventor: William J. Cohen, Hingham, Mass.

[73] Assignee: CITC Industries, Inc., New York, N.Y.

[**] Term: 14 Years

[21] Appl. No.: 845,622

[22] Filed: Oct. 26, 1977

Related U.S. Application Data

[62] Division of Ser. No. 651,957, Jan. 23, 1976, Pat. No. Des. 248,123.

[51] Int. Cl. D3-02

[52] U.S. Cl. D3/30; D3/72; D9/230

[58] Field of Search D87/1 R; D9/249, 222-240, D9/182, 183; 229/46, 52 A, 52 AC, 77, 63, 52 B; 220/4 E, 4 B; D3/30, 72

[56]

References Cited

U.S. PATENT DOCUMENTS

1,164,868	12/1915	Redman	D9/249 X
1,741,261	12/1929	Vonnegut	229/46
1,755,814	4/1930	Cox	229/77
2,374,798	5/1945	Berkowitz	229/63
2,816,628	12/1957	Garfield	D87/1 R
3,416,719	12/1968	Pilger	229/52 B X
3,504,787	4/1970	Brockway	D9/182 X

Primary Examiner—Robert C. Spangler
Attorney, Agent, or Firm—Eric Waters

[57]

CLAIM

The ornamental design for a carrying carton for shoes or the like, as shown and described.

DESCRIPTION

FIG. 1 is a front elevational view of a carrying carton for shoes or the like showing my new design;

FIG. 2 is a side elevation view;

FIG. 3 is a top plan view;

FIG. 4 is a rear elevational view;

FIG. 5 is a bottom plan view; and

FIG. 6 is a perspective view thereof in a semi-open position.

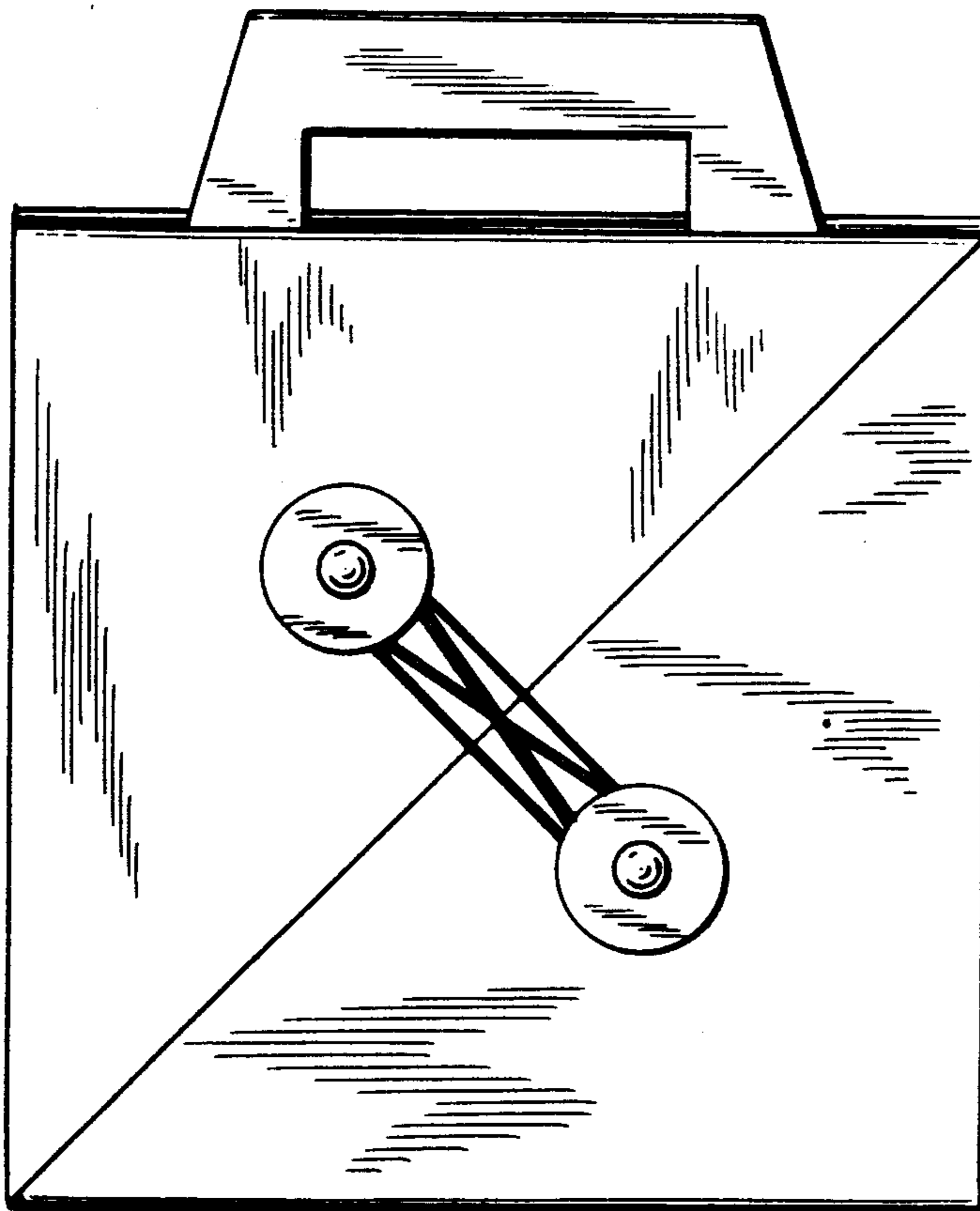


FIG. 1

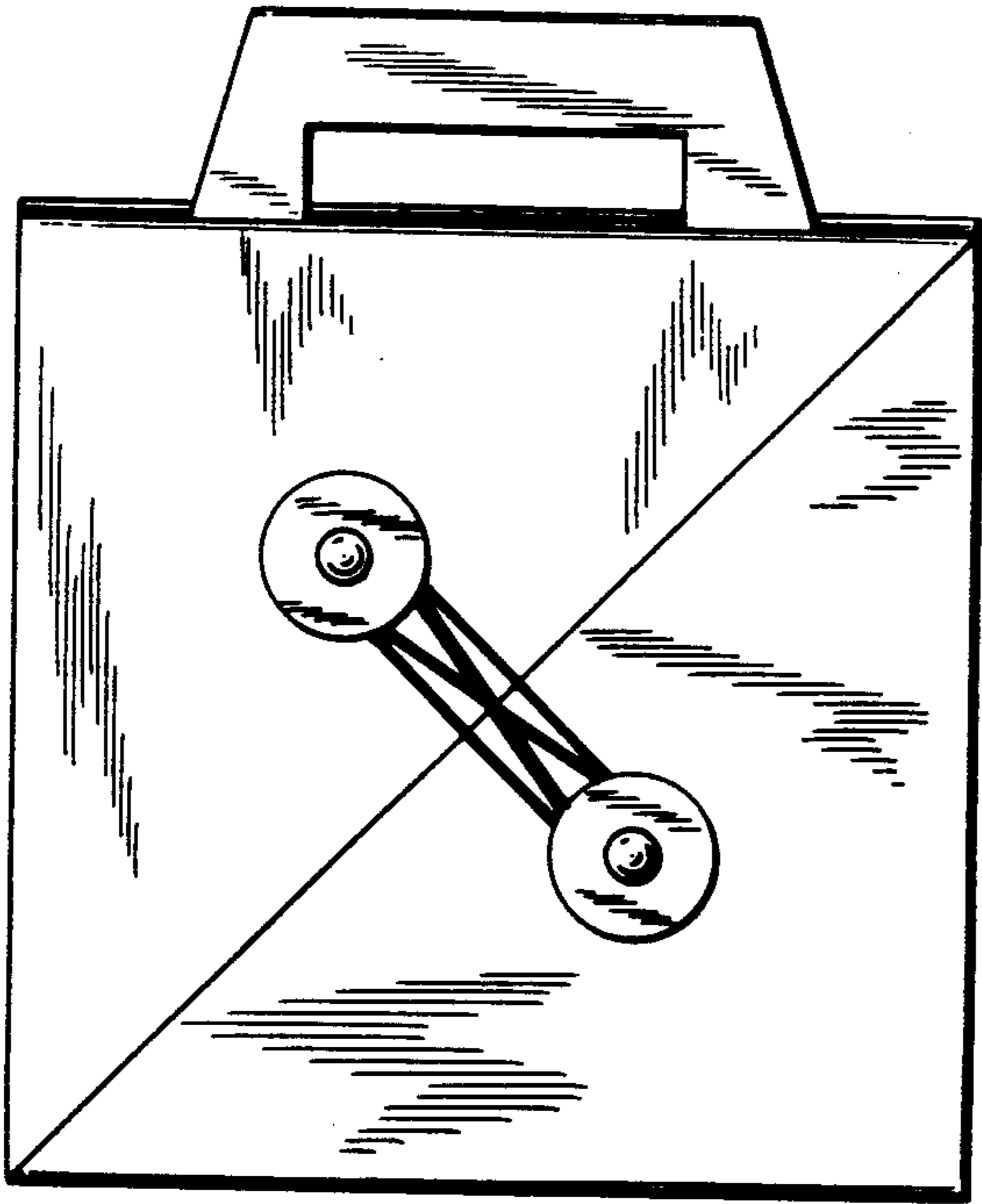


FIG. 2

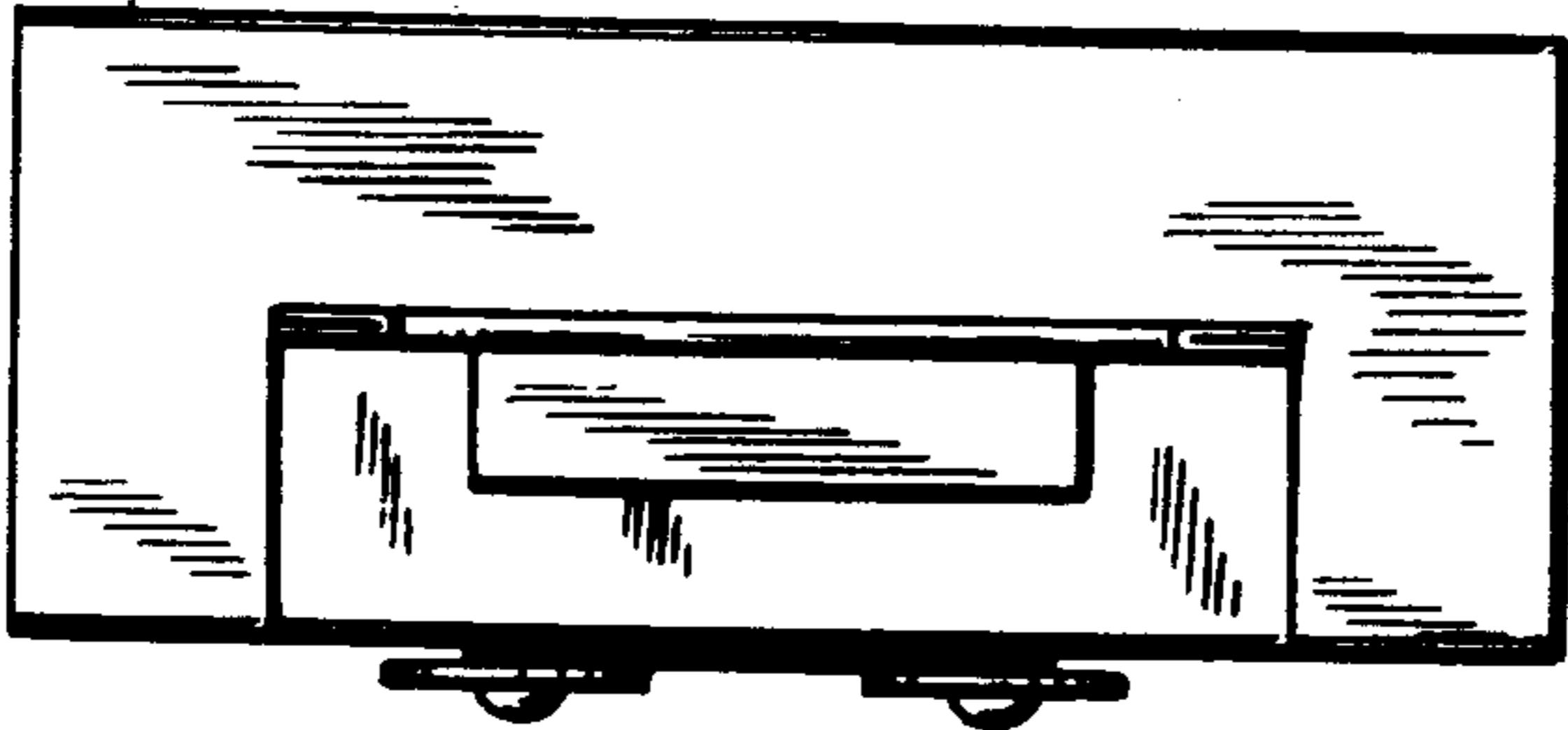
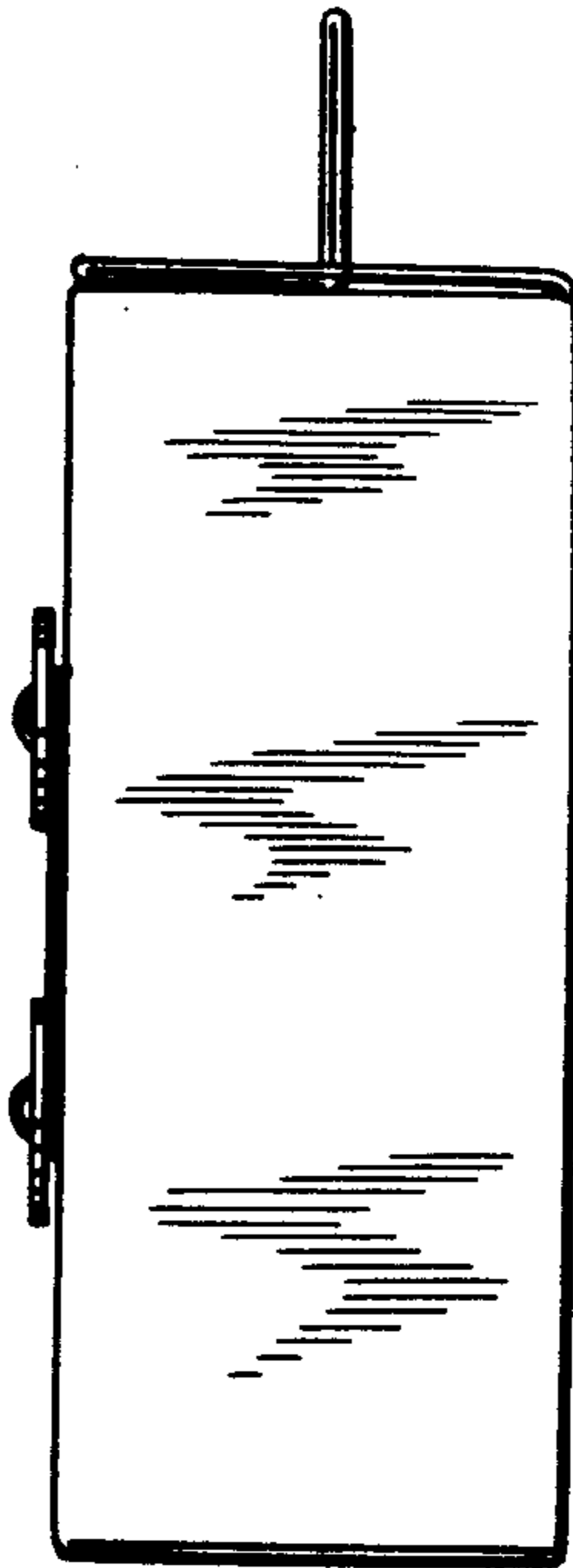


FIG. 3

FIG. 6

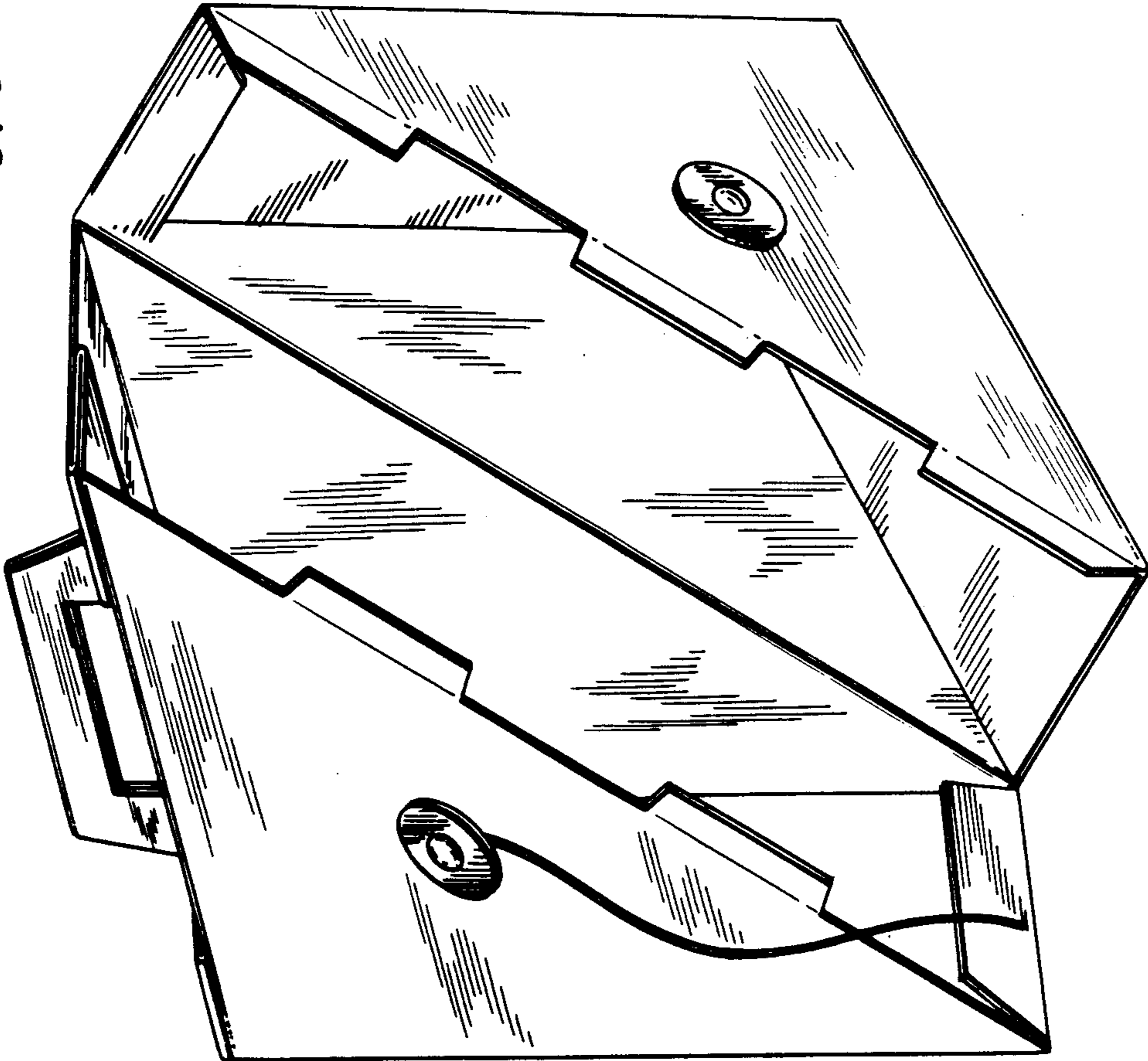


FIG. 4

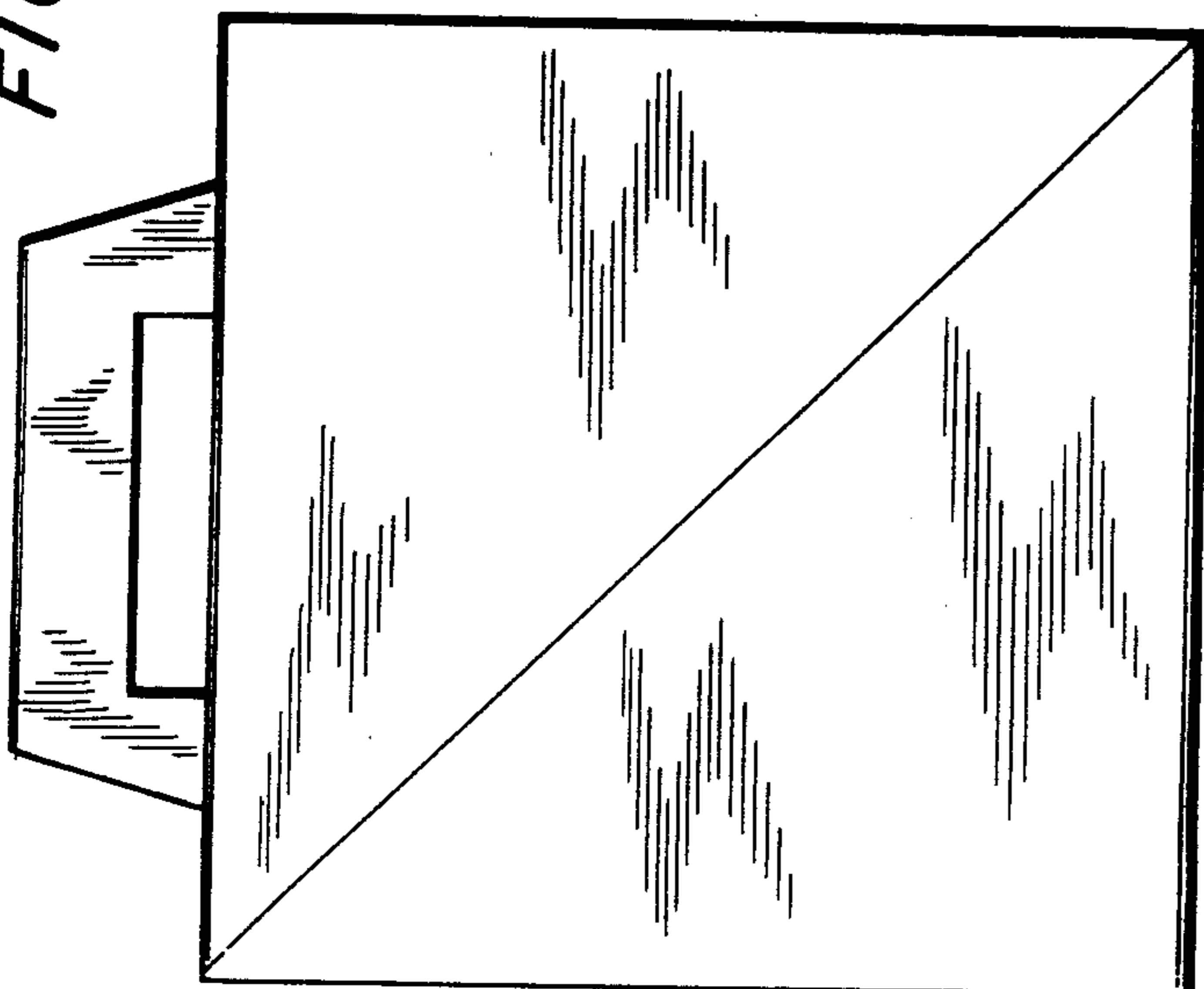


FIG. 5

