

[54] HOUSING FOR A PUMP LIFT STATION

[75] Inventor: **Richard J. Migchelbrink, Jr.**,
Uniontown, Ohio

[73] Assignee: **Lindsay Excavating & Concrete
Products Company**

[**] Term: **14 Years**

[21] Appl. No.: **825,415**

[22] Filed: **Aug. 17, 1977**

[51] Int. Cl. **D25—02**

[52] U.S. Cl. **D25/36; D15/7**

[58] Field of Search **D15/7, 8, 9; D25/36**

[56] **References Cited**

U.S. PATENT DOCUMENTS

D. 192,788	5/1962	Prator	D15/7
D. 193,927	10/1962	Prator	D25/36
D. 198,608	7/1964	Rhodes	D15/7
D. 210,716	4/1968	Greitzer et al.	D25/36

D. 220,134	3/1971	Stut	D15/7
D. 245,102	7/1977	Gross	D25/36
D. 245,103	7/1977	Gross	D25/36
D. 761,749	6/1904	Baker, Jr.	D25/36 X
1,639,495	8/1927	Framo	D25/36 X

Primary Examiner—James R. Largen
Attorney, Agent, or Firm—Perry Reese Taylor

[57] **CLAIM**

The ornamental design for a housing for a pump lift station, as shown and described.

DESCRIPTION

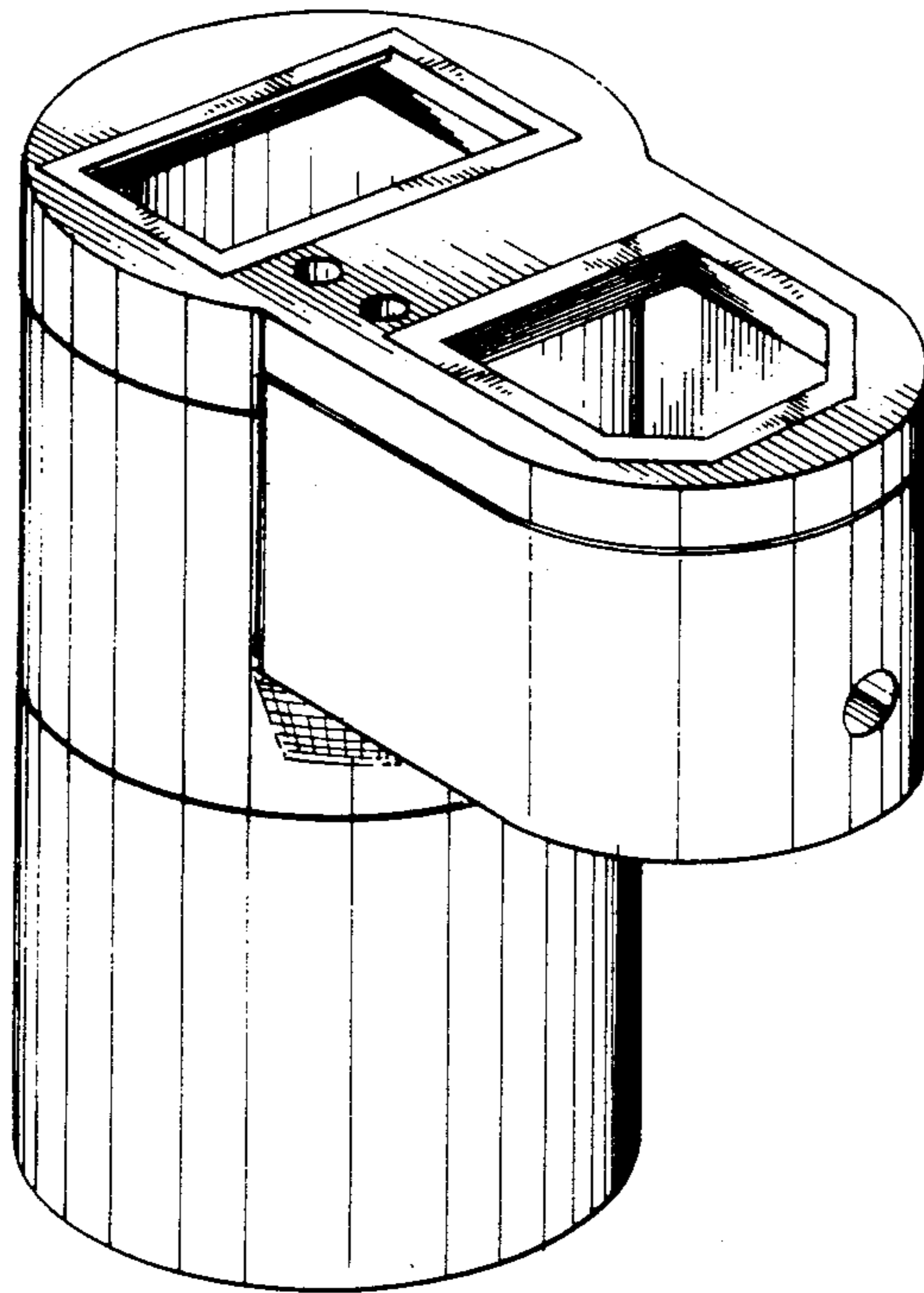
FIG. 1 is a top plan elevational view of a housing for a pump lift station showing my new design.

FIG. 2 is a perspective view thereof.

FIG. 3 is an elevational view taken from one side thereof, the opposite side being a mirror image of the side shown.

FIG. 4 is an end elevational view thereof.

FIG. 5 is a vertical sectional view on line 5—5 of FIG. 4.



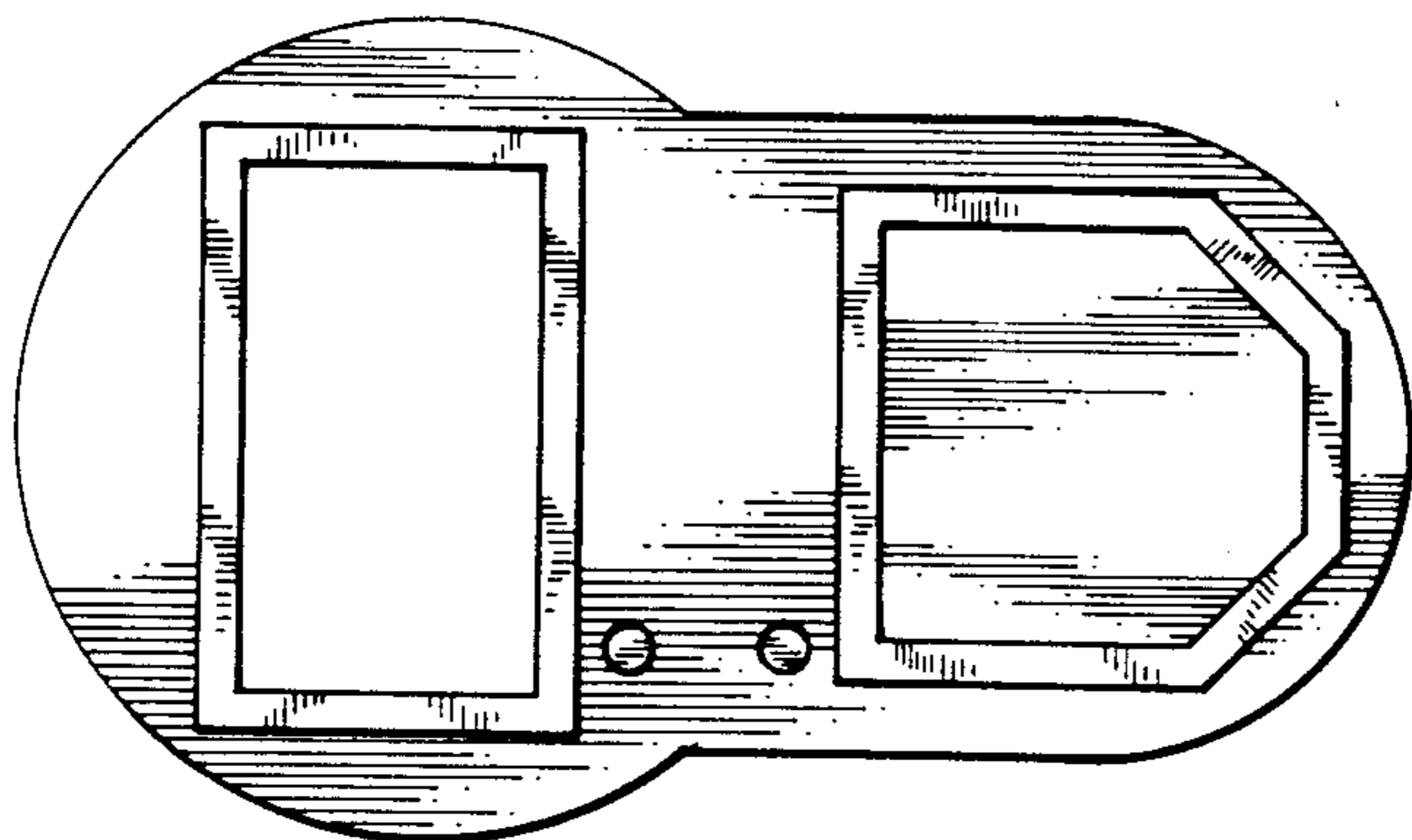


FIG. 1

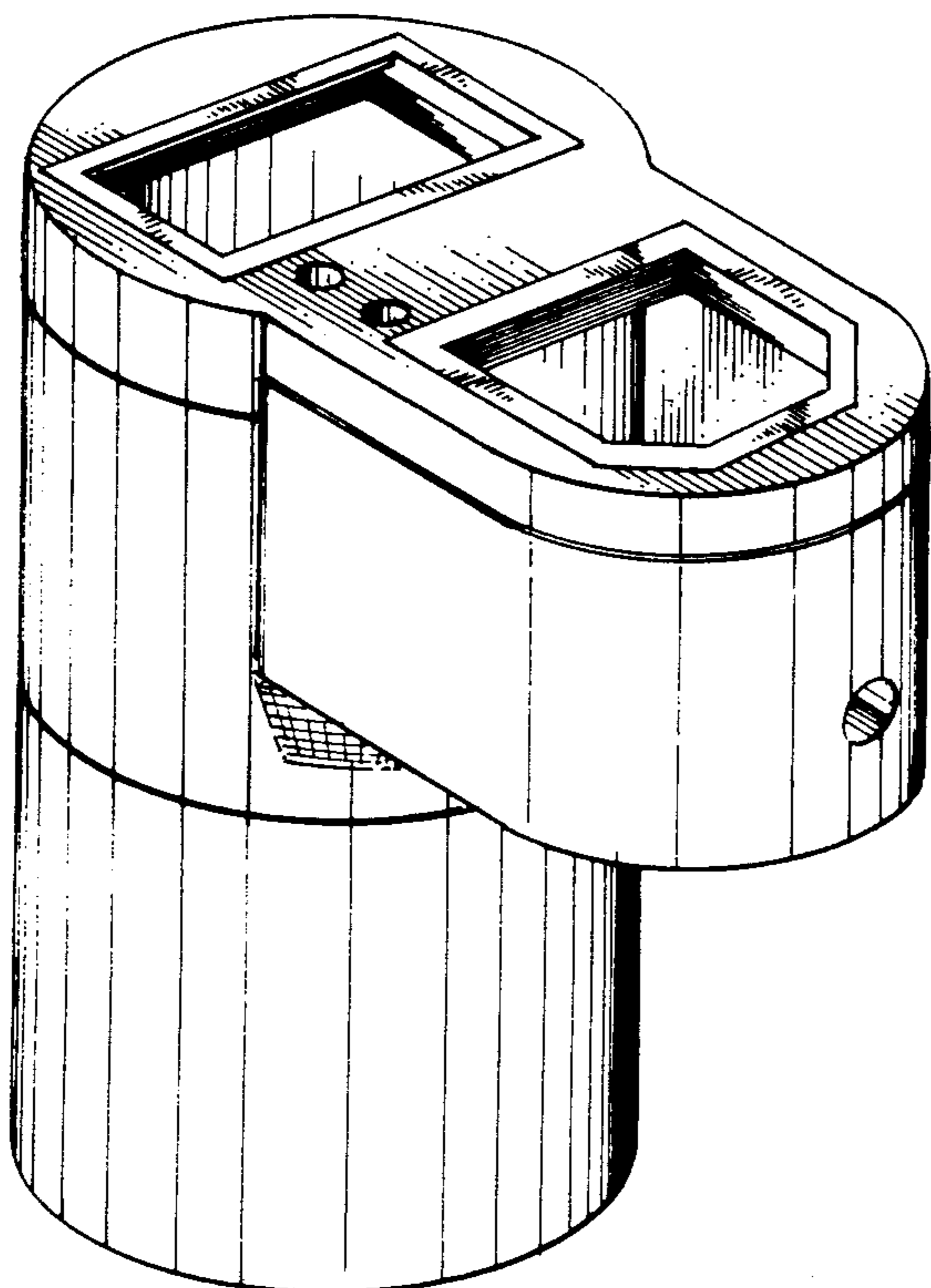


FIG. 2

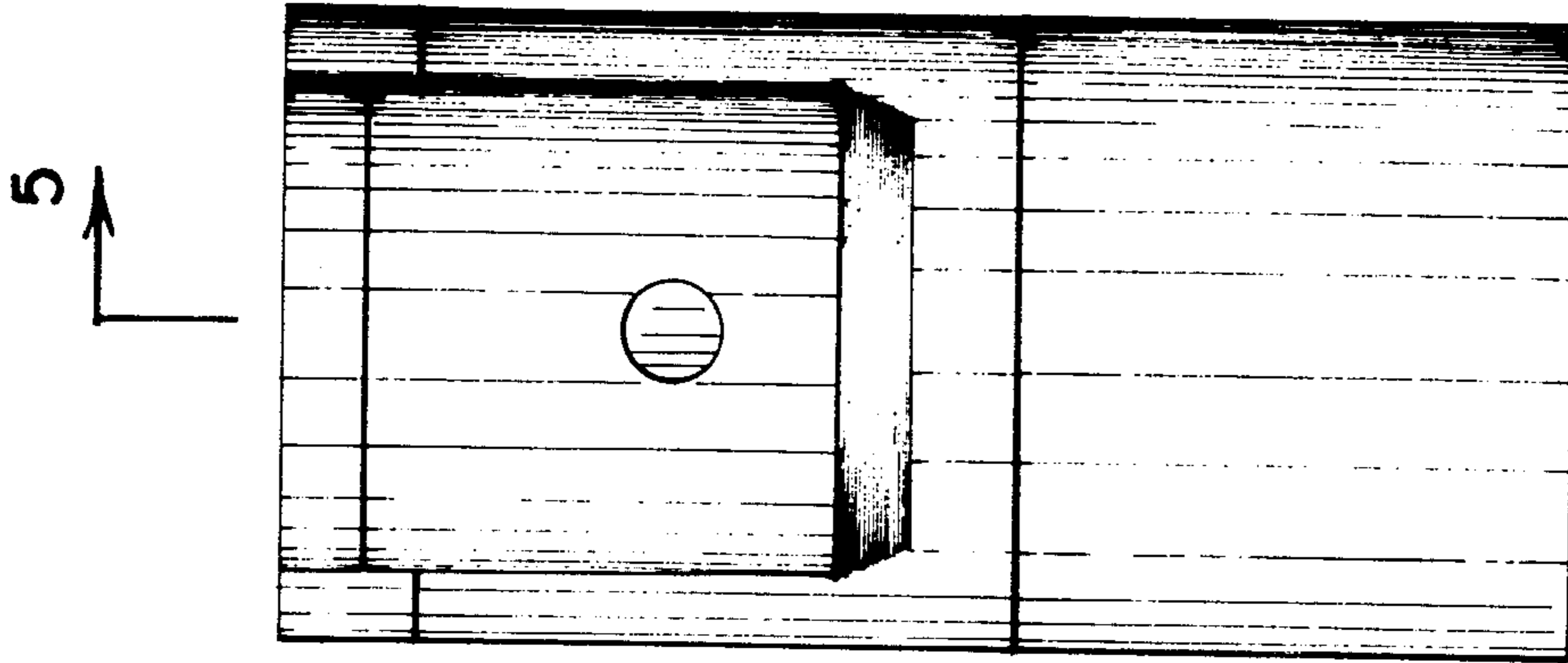


FIG. 4

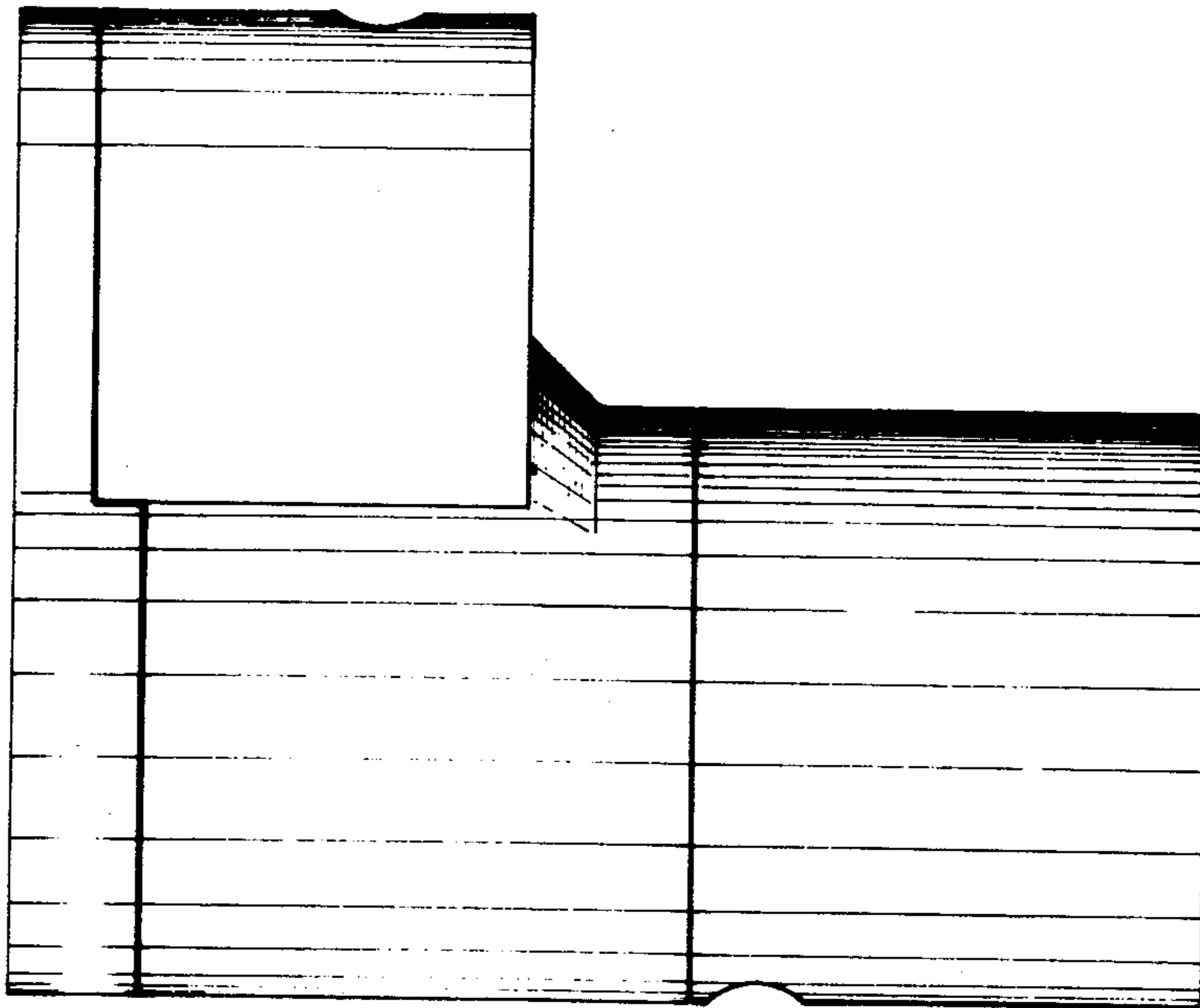


FIG. 3

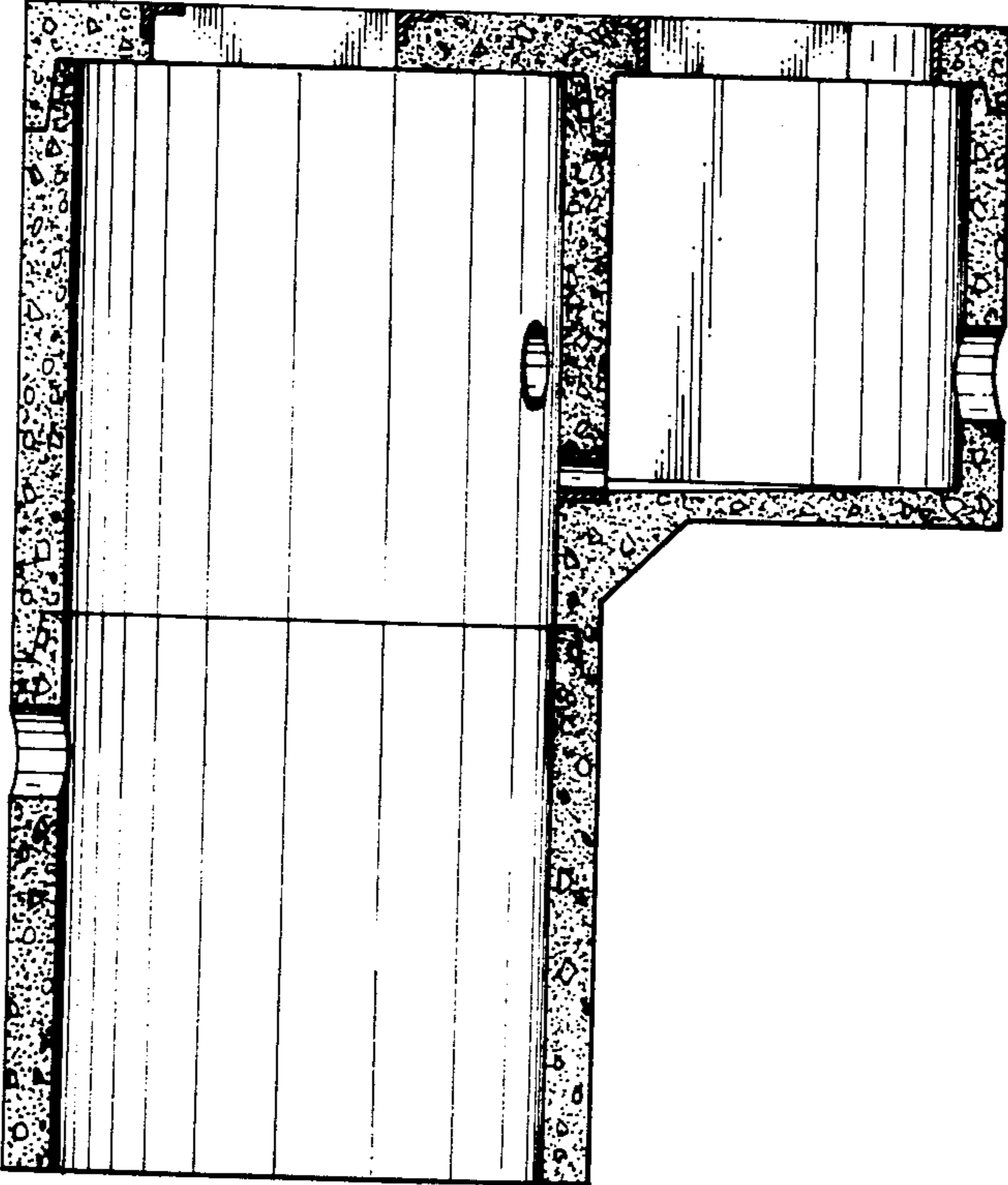


FIG. 5