

[54] HOSE COUPLING

[75] Inventors: Frederick L. Parsons, 759 Morningside Rd., Ridgewood, N.J. 07450; William G. Atkinson, Jr., Saddle River, N.J.

[73] Assignee: Frederick L. Parsons

[**] Term: 7 Years

[21] Appl. No.: 792,024

[22] Filed: Apr. 28, 1977

[51] Int. Cl. D23-01

[52] U.S. Cl. D23/44

[58] Field of Search D23/40-47; 285/70, 315, 319, 330, DIG. 22

[56] References Cited

U.S. PATENT DOCUMENTS

D. 128,314 7/1941 Kelly D23/43
146,979 2/1874 Bannister et al. 285/70

D. 246,855	1/1978	Treloar	D23/43
D. 247,182	2/1978	Ebert	D23/44
600,505	3/1898	Bailey	285/70
792,417	6/1905	Houser	285/70
1,248,558	12/1917	Scribner	285/70
1,461,958	7/1923	Arnold	285/330 X
3,603,621	9/1971	Parsons	285/174 X
3,640,552	2/1972	Demier	285/110

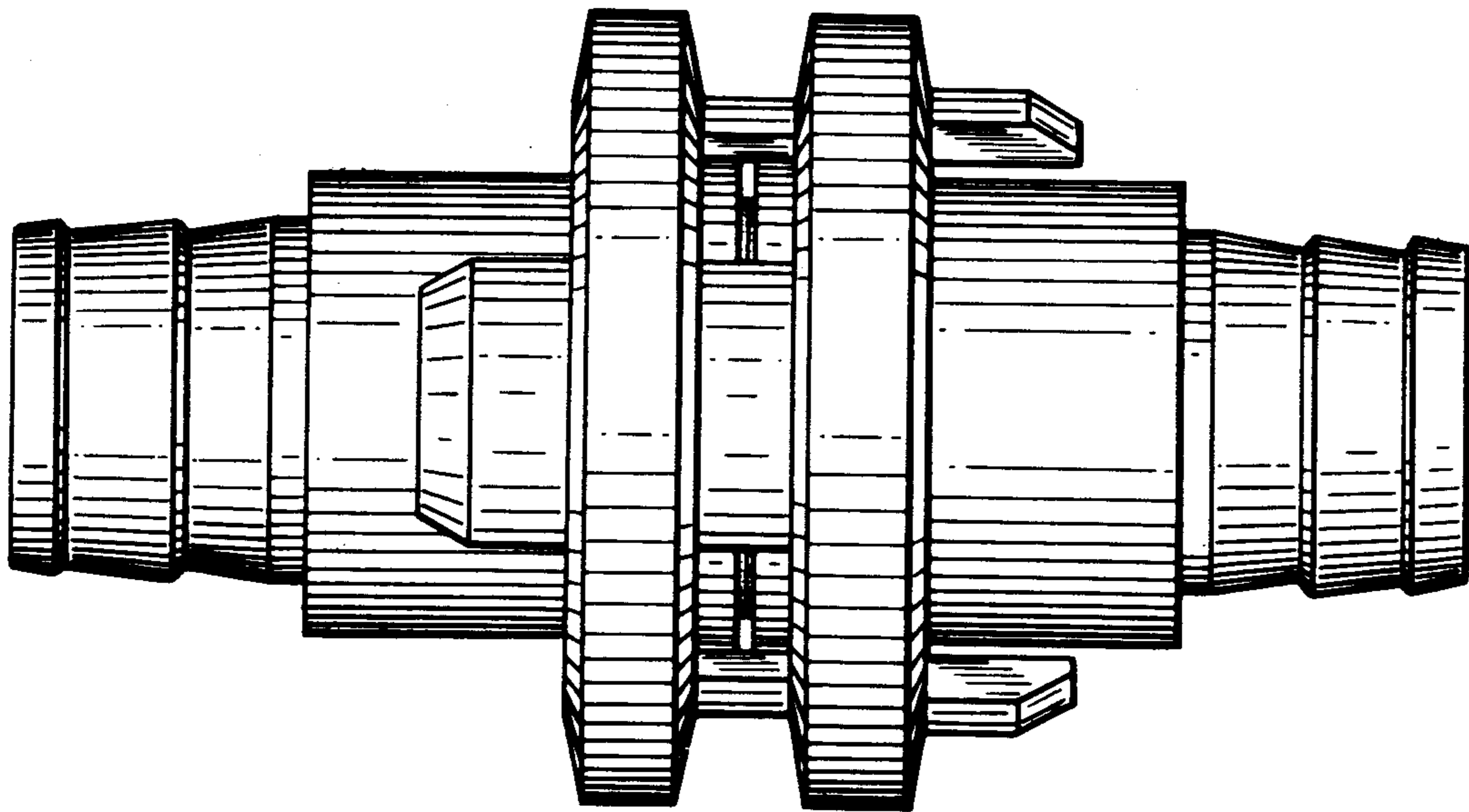
Primary Examiner—James R. Largen
Attorney, Agent, or Firm—Granville M. Brumbaugh

[57] CLAIM

The ornamental design for a hose coupling, as shown.

DESCRIPTION

FIG. 1 is a side elevational view of a hose coupling showing our new design;
FIG. 2 is a side elevational view of one half of the hose coupling, showing the latch member retracted;
FIG. 3 is a right end elevational view of FIG. 2;
FIG. 4 is a side elevational view of FIG. 2, showing the latch member extended; and
FIG. 5 is a left end elevational view of FIG. 2.



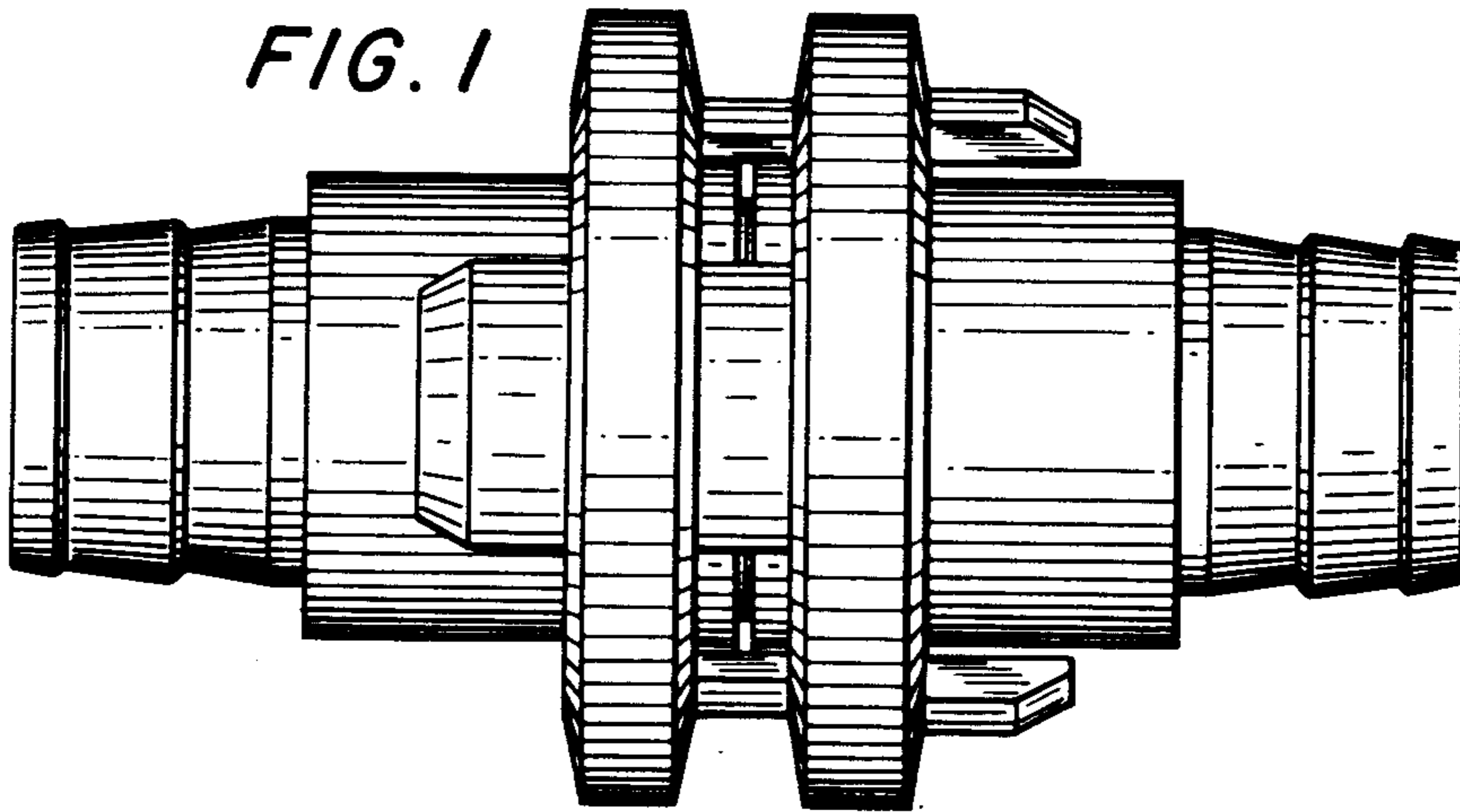
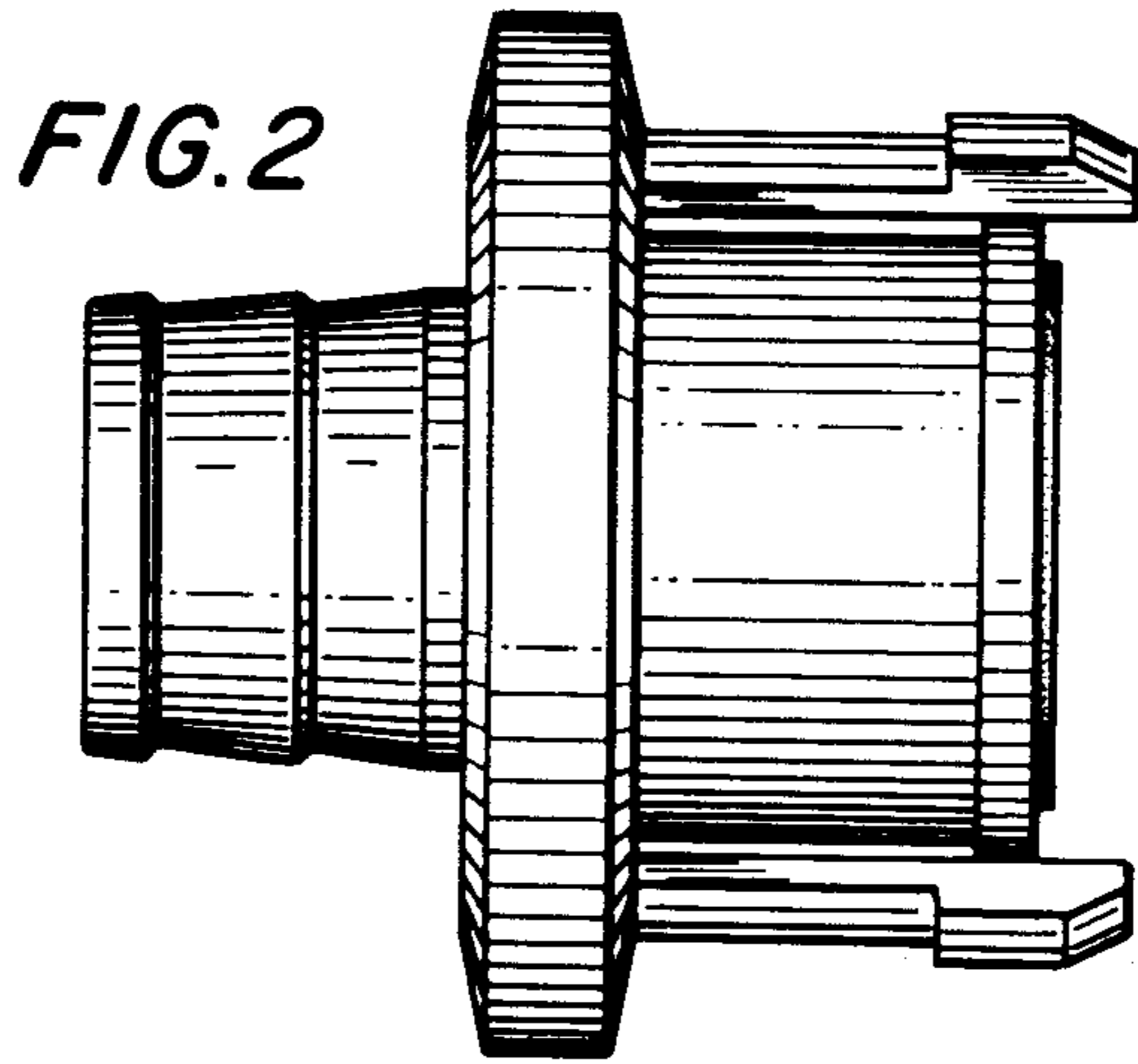
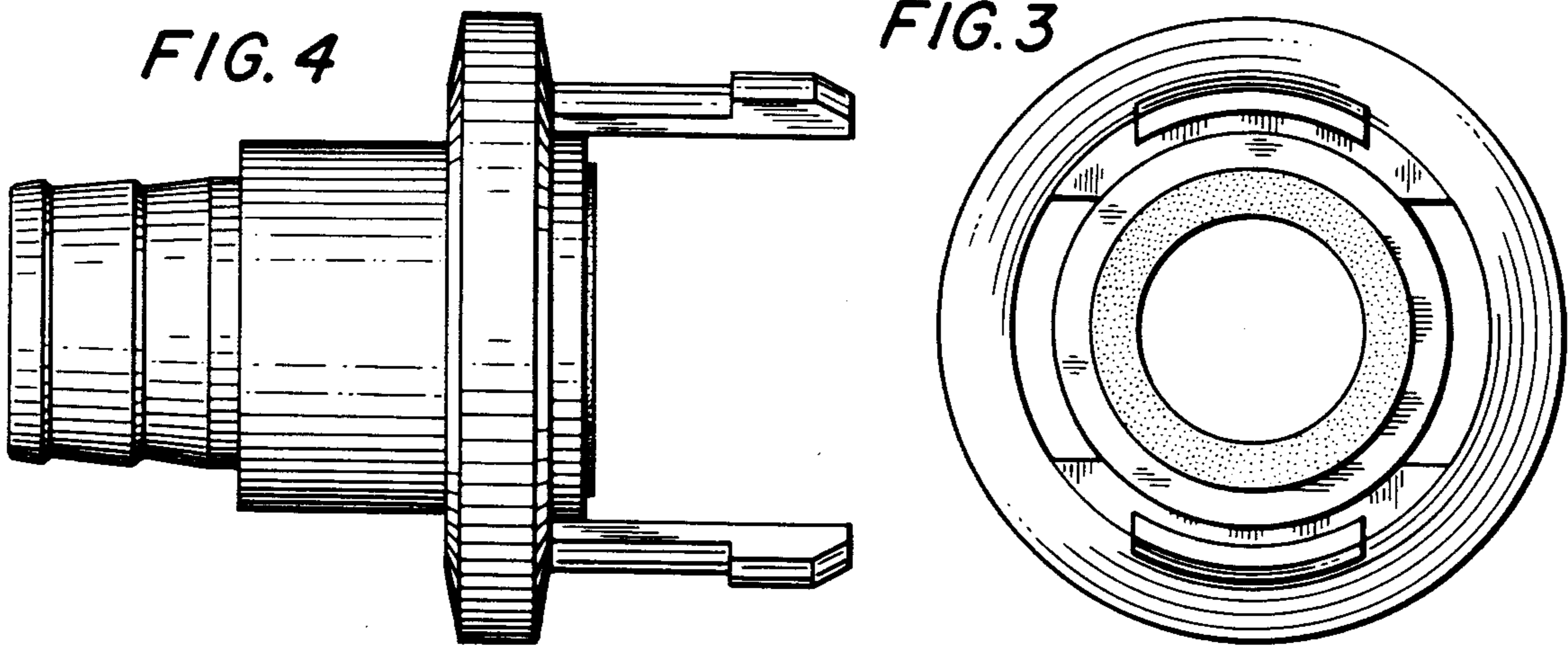


FIG. 5

