

[54] TOY SCANNER PACK

2,813,373 11/1957 Heller ..... 46/254

[75] Inventor: Fred D. Eddins, Mapleville, R.I.

OTHER PUBLICATIONS

[73] Assignee: Hasbro Industries, Inc., Pawtucket, R.I.

J. C. Penney Xmas Catalog, 1975, p. 392, Toy Communications Center.

[\*\*] Term: 14 Years

Primary Examiner—Charles A. Rademaker  
Attorney, Agent, or Firm—Salter & Michaelson

[21] Appl. No.: 856,025

[57] CLAIM

[22] Filed: Nov. 28, 1977

The ornamental design for a toy scanner pack, substantially as shown.

[51] Int. Cl. .... D21-01

[52] U.S. Cl. .... D21/109; D10/104

[58] Field of Search ..... D21/59, 109, 111, 146, D21/240; 46/1 R, 45, 146, 235, 238, 254, 210, 255; 272/8 D; D10/104, 46; 340/227

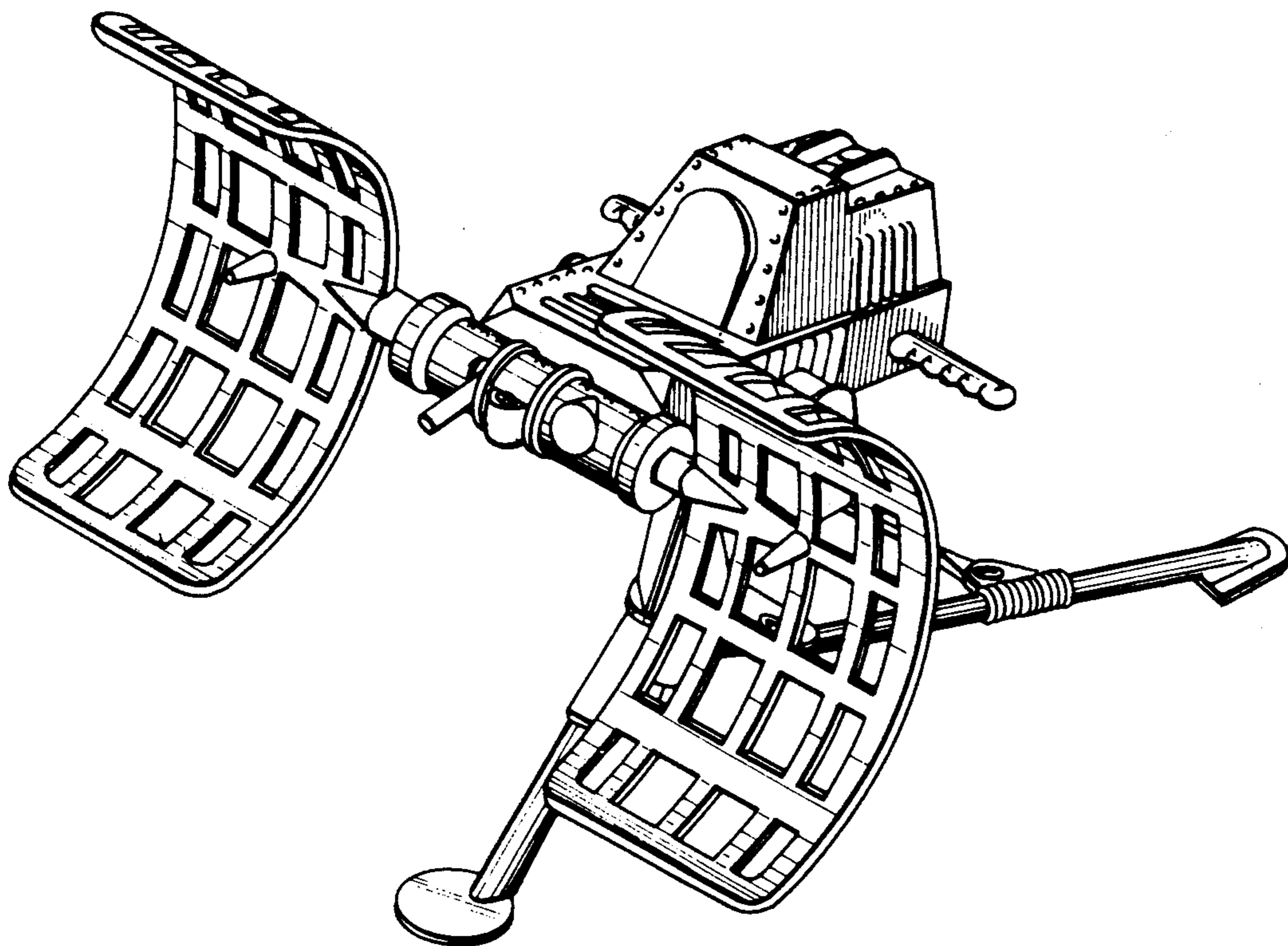
DESCRIPTION

FIG. 1 is a front perspective view of a toy scanner pack showing my new design;  
FIG. 2 is a rear perspective view thereof;  
FIG. 3 is a side elevational view thereof;  
FIG. 4 is a front elevational view thereof;  
FIG. 5 is a top plan view thereof; and  
FIG. 6 is a bottom plan view thereof.

[56] References Cited

U.S. PATENT DOCUMENTS

- D. 56,063 8/1920 Griffith ..... D21/146
- D. 147,557 9/1947 Kaplan ..... D21/146



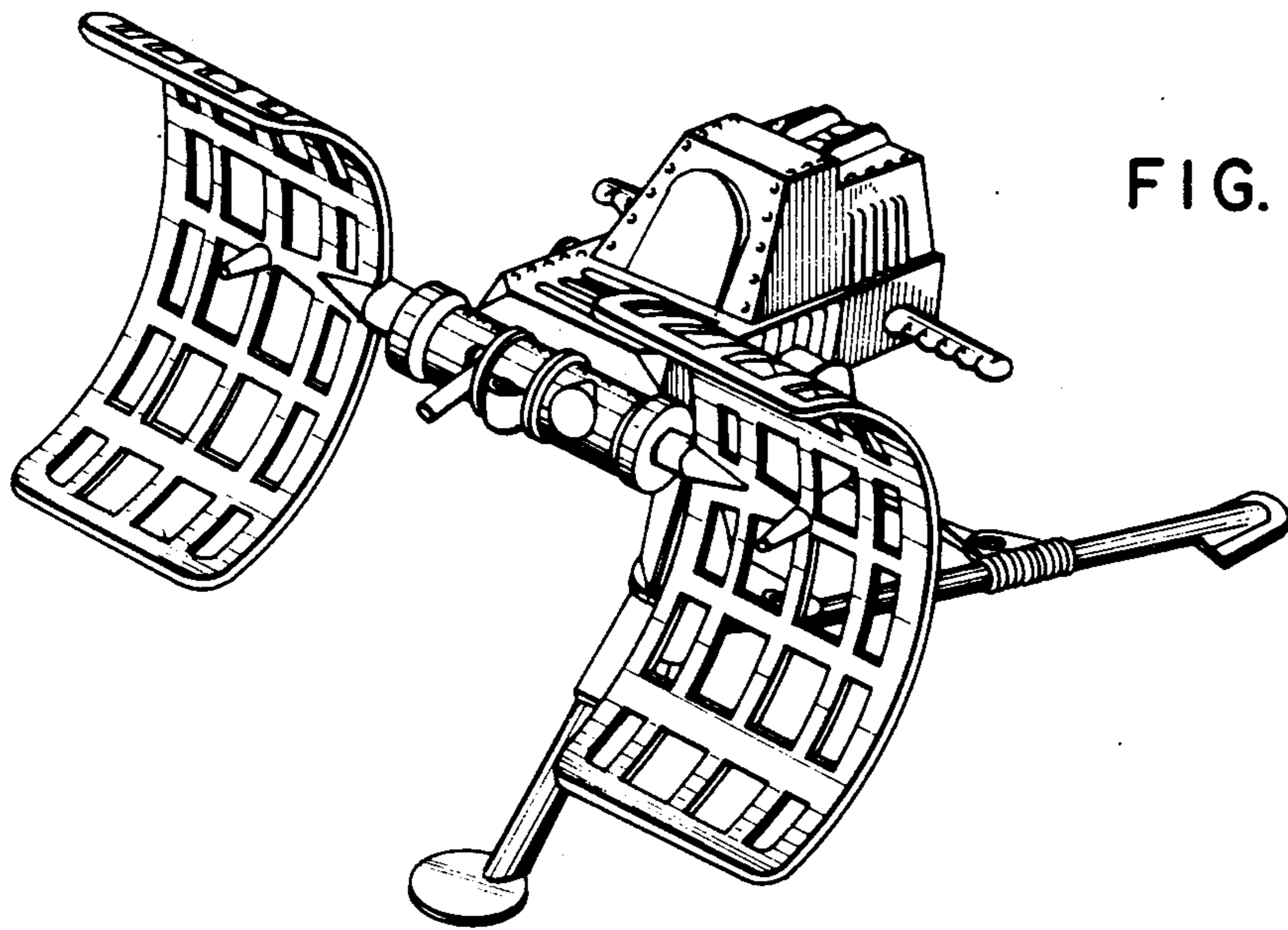
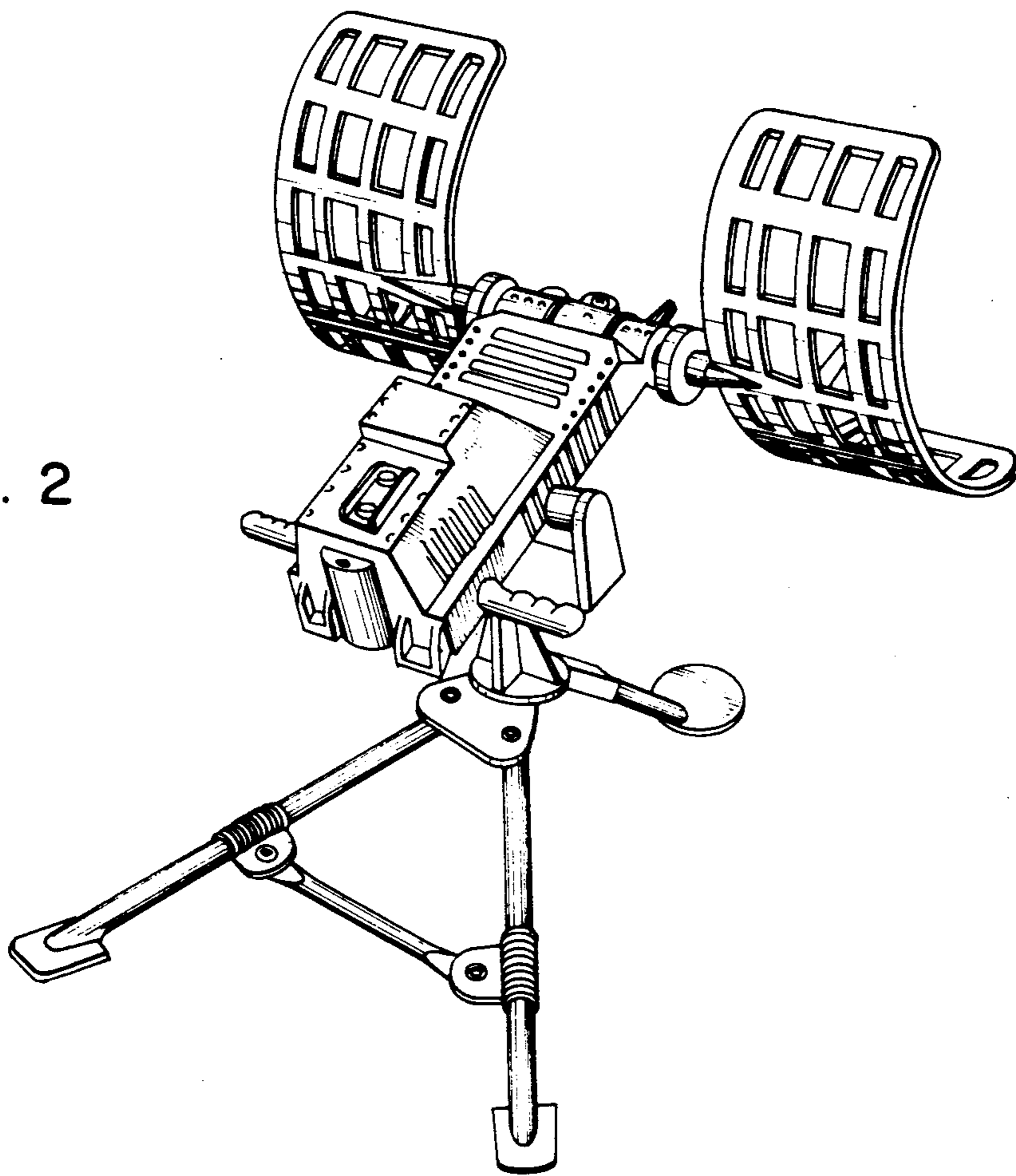


FIG. 1

FIG. 2



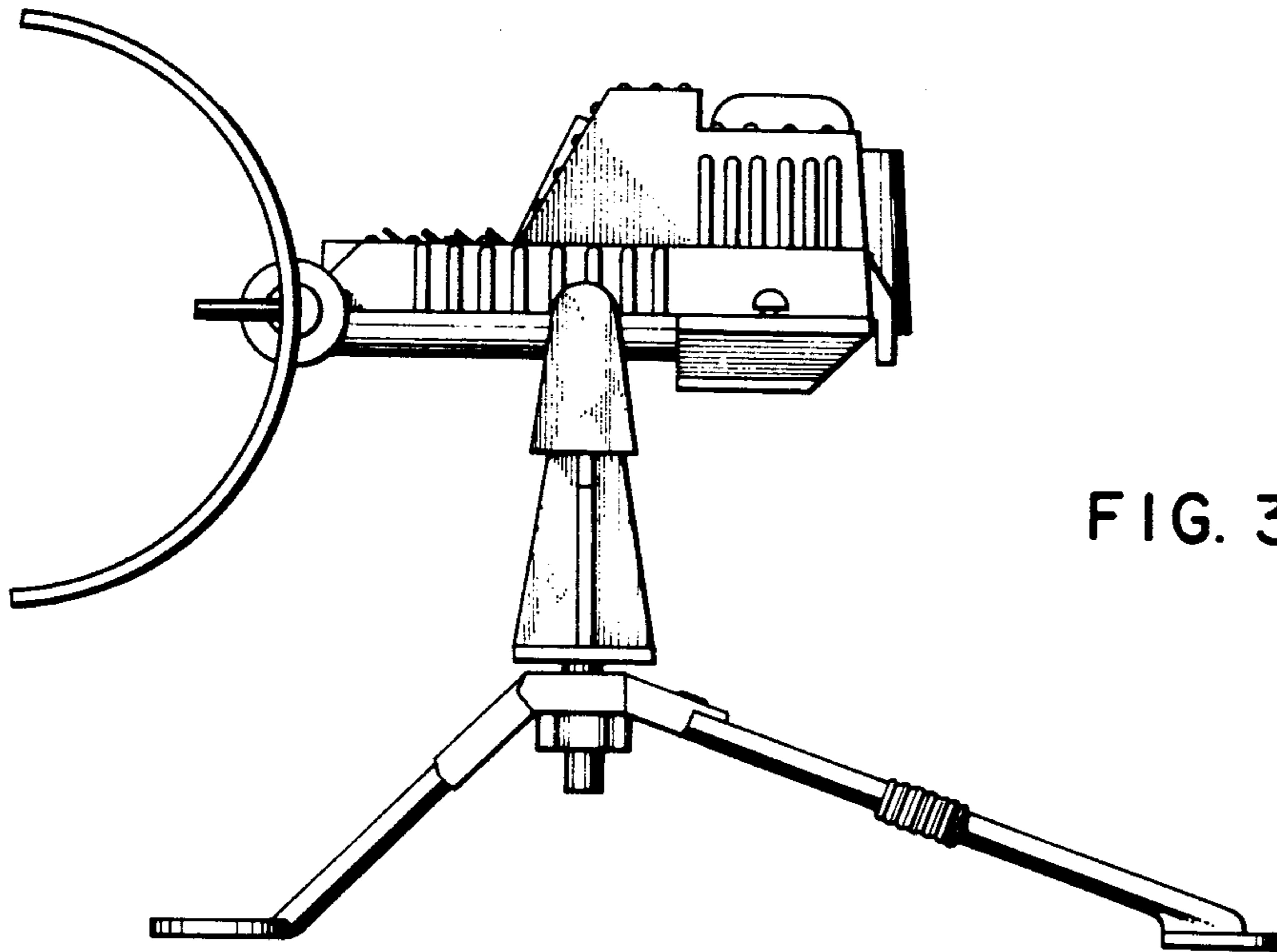


FIG. 3

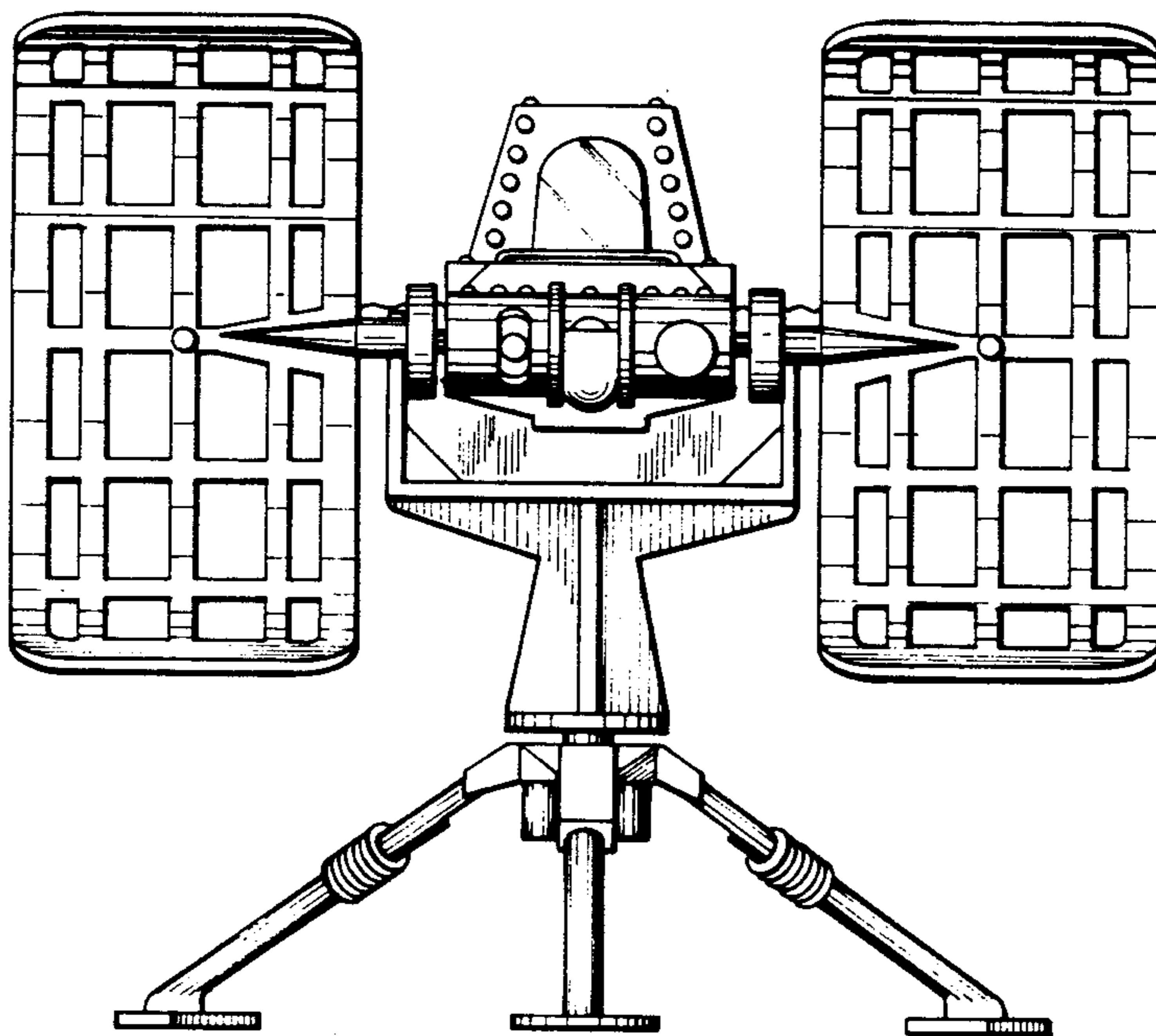


FIG. 4

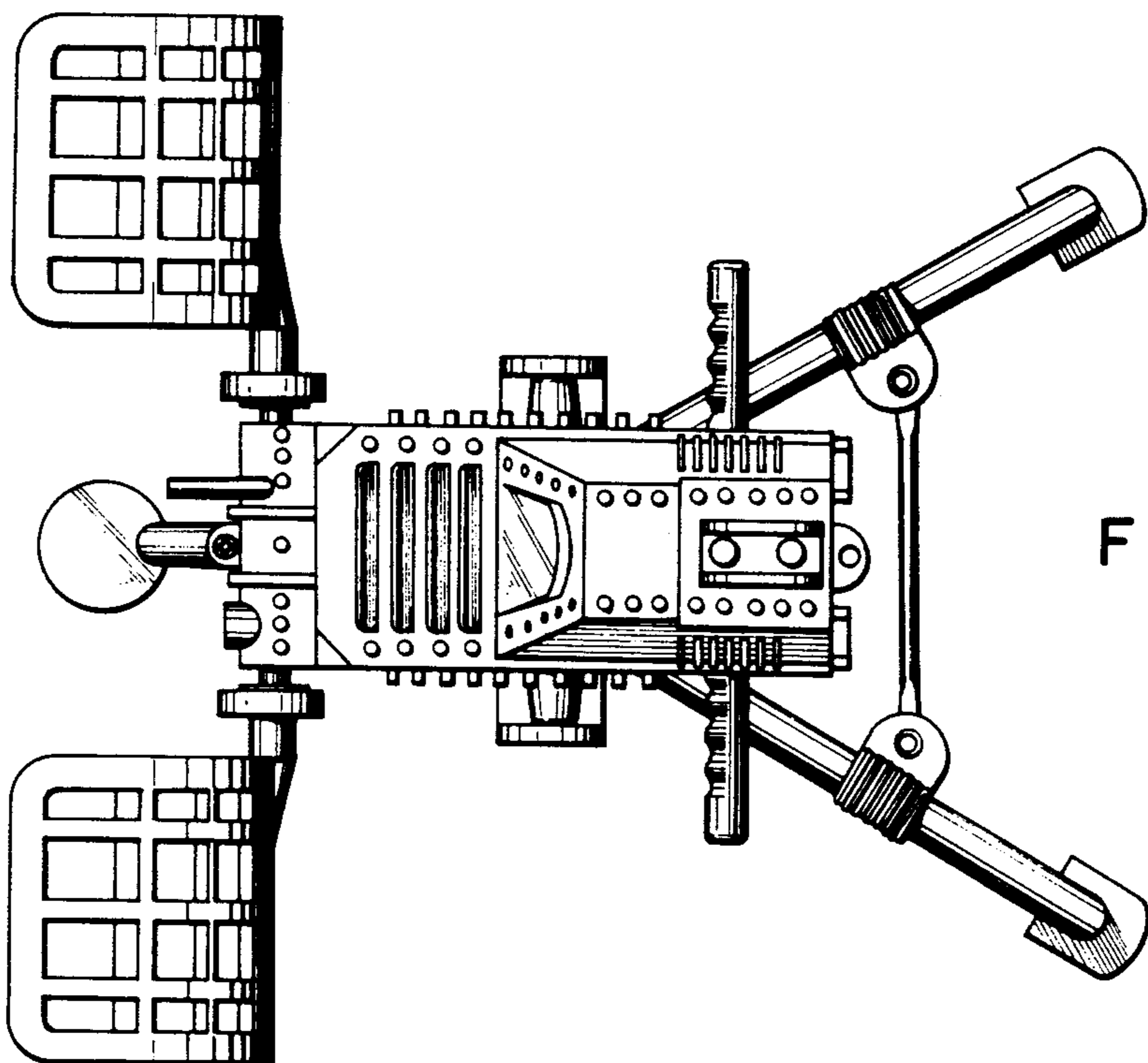


FIG. 5

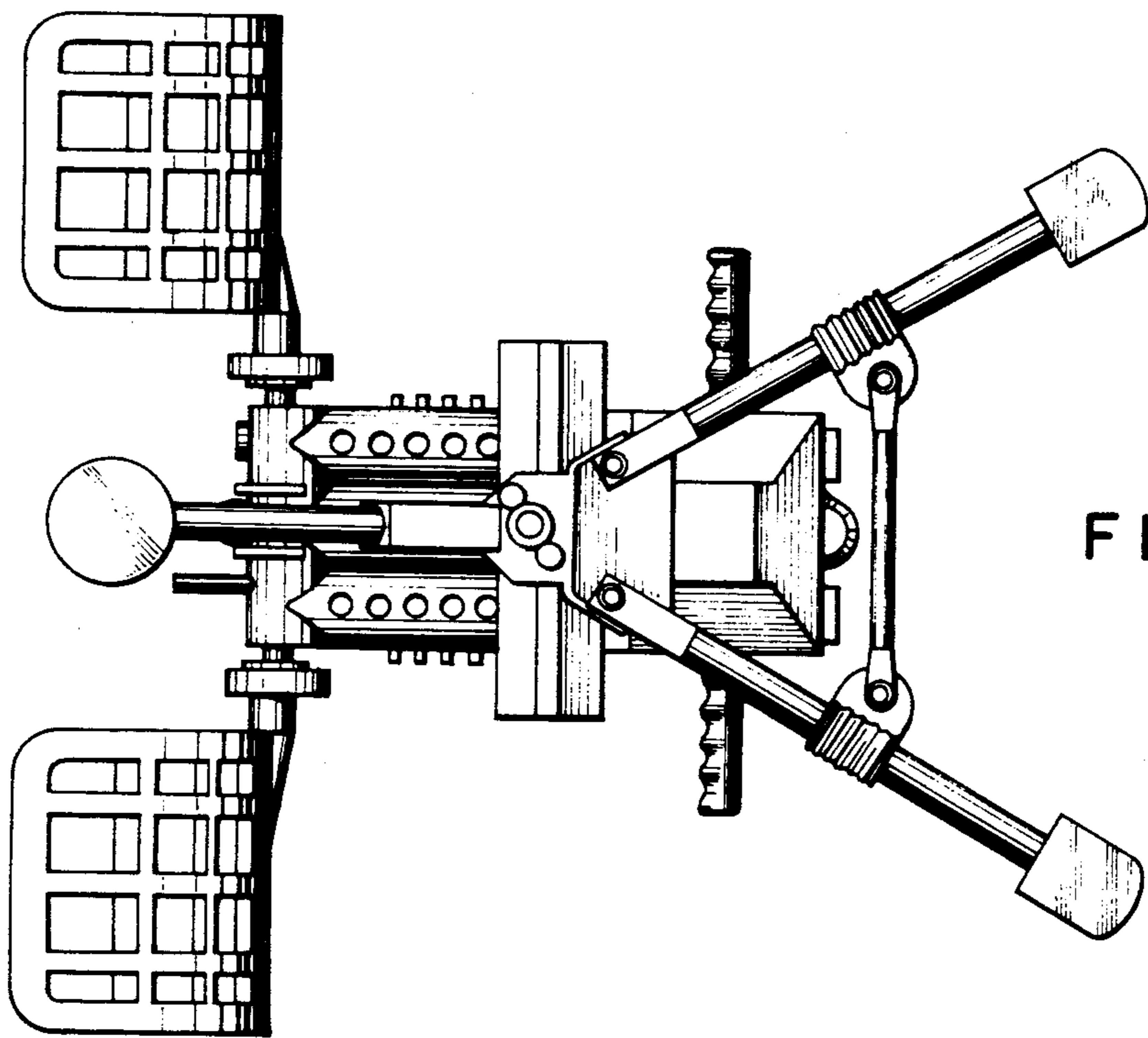


FIG. 6