

[54] ROCKING HORSE

[76] Inventor: Robert H. Chieh, 8855 N. Spruce Rd., Milwaukee, Wis. 53217

[**] Term: 14 Years

[21] Appl. No.: 833,601

[22] Filed: Sep. 15, 1977

[51] Int. Cl. D21-01

[52] U.S. Cl. D21/70; D21/75

[58] Field of Search D34/15 B, 15 AE; 272/52; 46/115; D6/9, 10, 11, 12

[56] References Cited

U.S. PATENT DOCUMENTS

D. 129,379	9/1941	Dennis et al.	D6/9
D. 243,545	3/1977	Seegers	D34/15 AE
1,998,508	4/1935	Kappenberg	272/52

OTHER PUBLICATIONS

Tucker Duck & Rubber Co., 1942, p. 16, #104 Rocking Horse.

Primary Examiner—Joel Stearman
Assistant Examiner—Charles A. Rademaker
Attorney, Agent, or Firm—Thad F. Kryshak

[57] CLAIM

The ornamental design for a rocking horse, as shown.

DESCRIPTION

FIG. 1 is a side elevational view of a rocking horse showing my new design;
FIG. 2 is a front elevational view thereof;
FIG. 3 is a rear elevational view thereof;
FIG. 4 is a top plan view; and
FIG. 5 is a side elevational view of the side opposite that shown in FIG. 1.

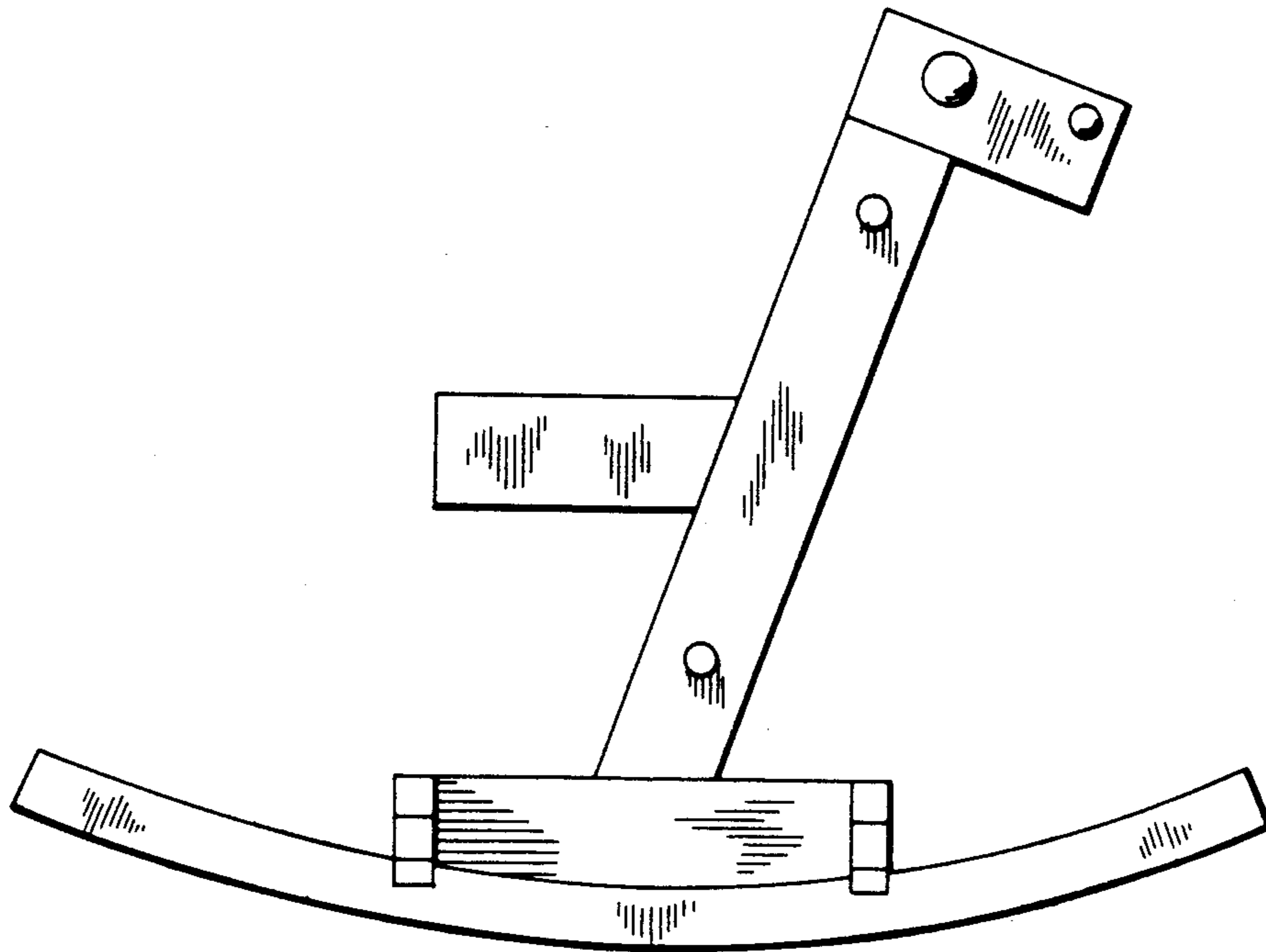


Fig. 1

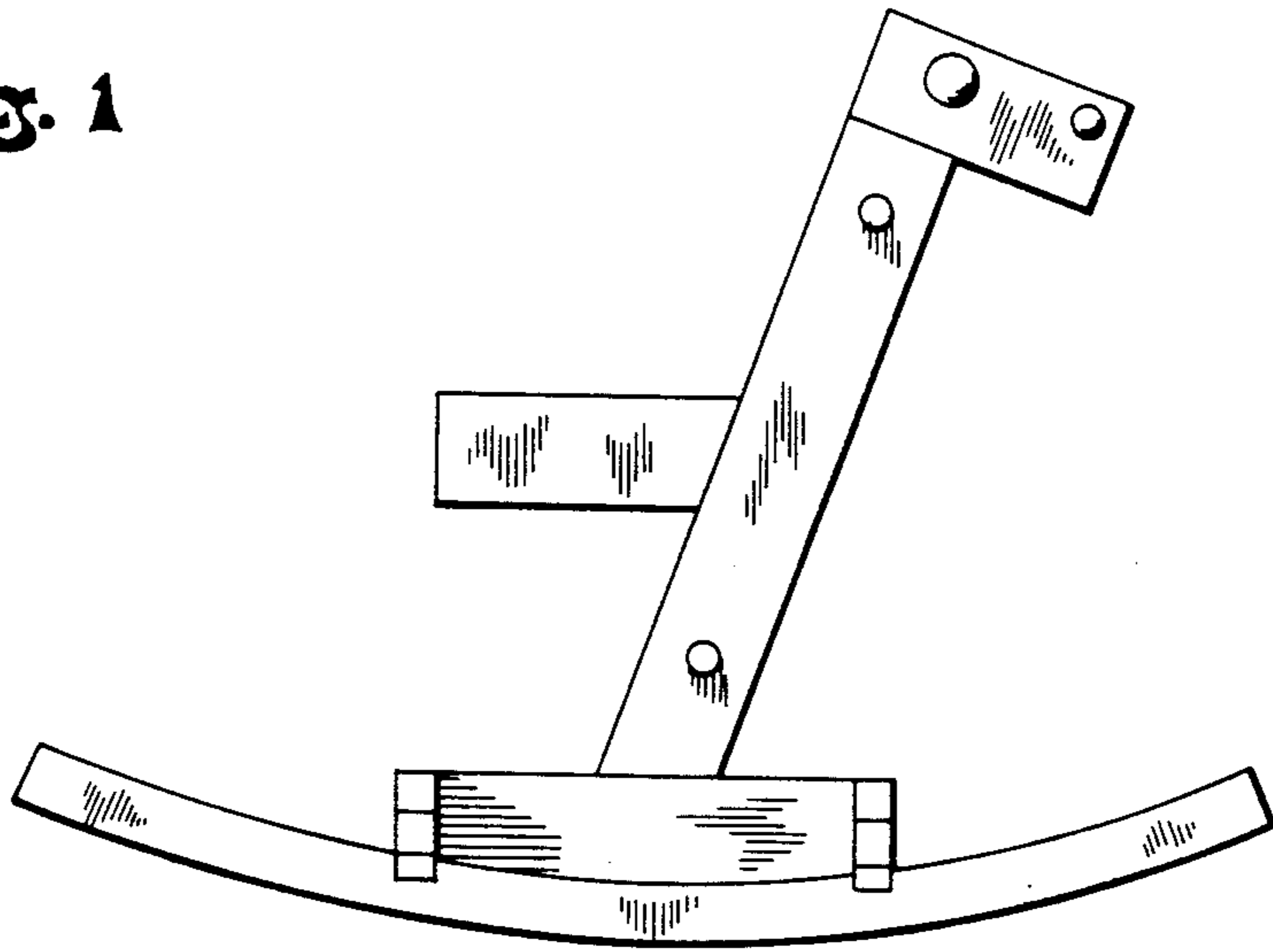


Fig. 2

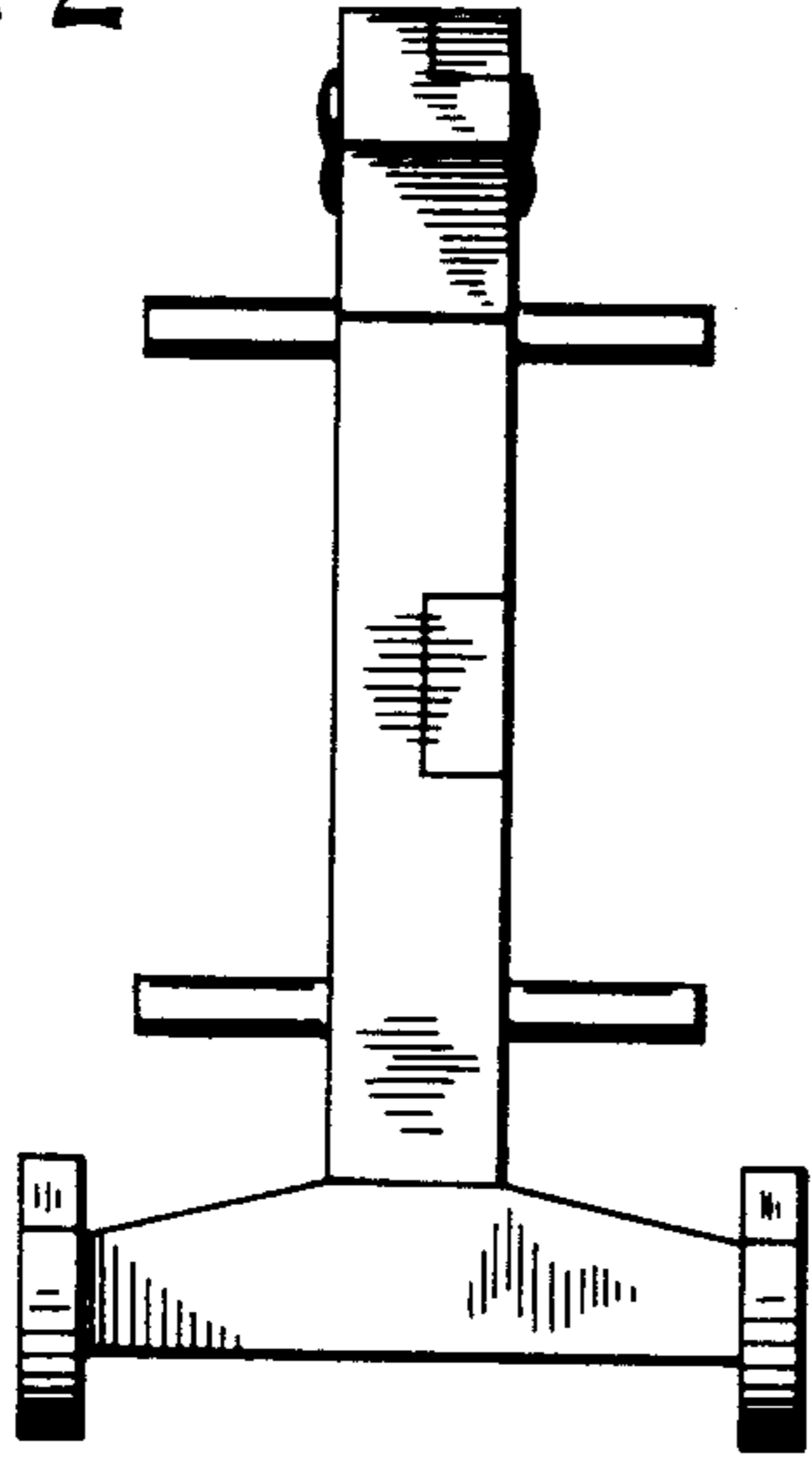


Fig. 3

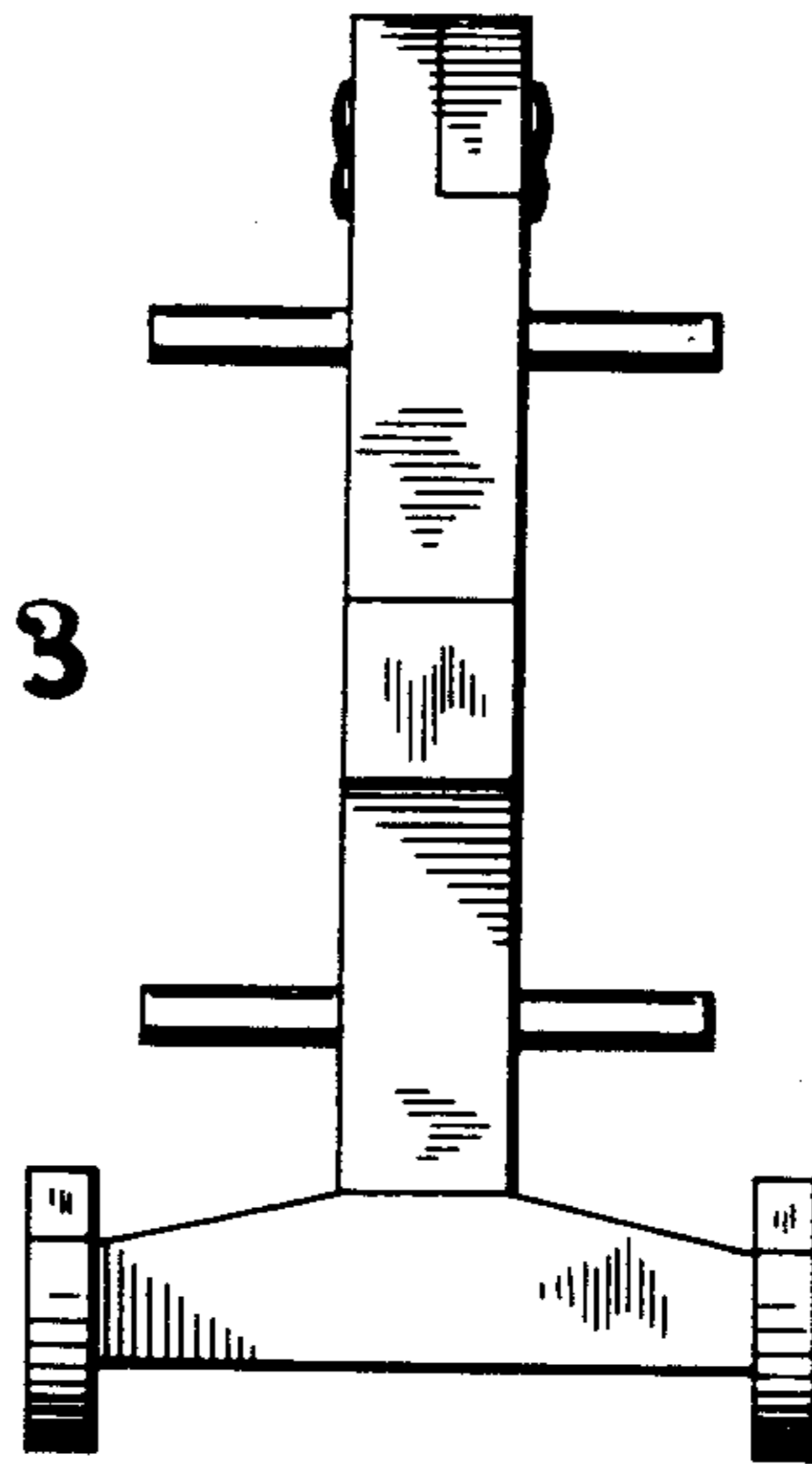
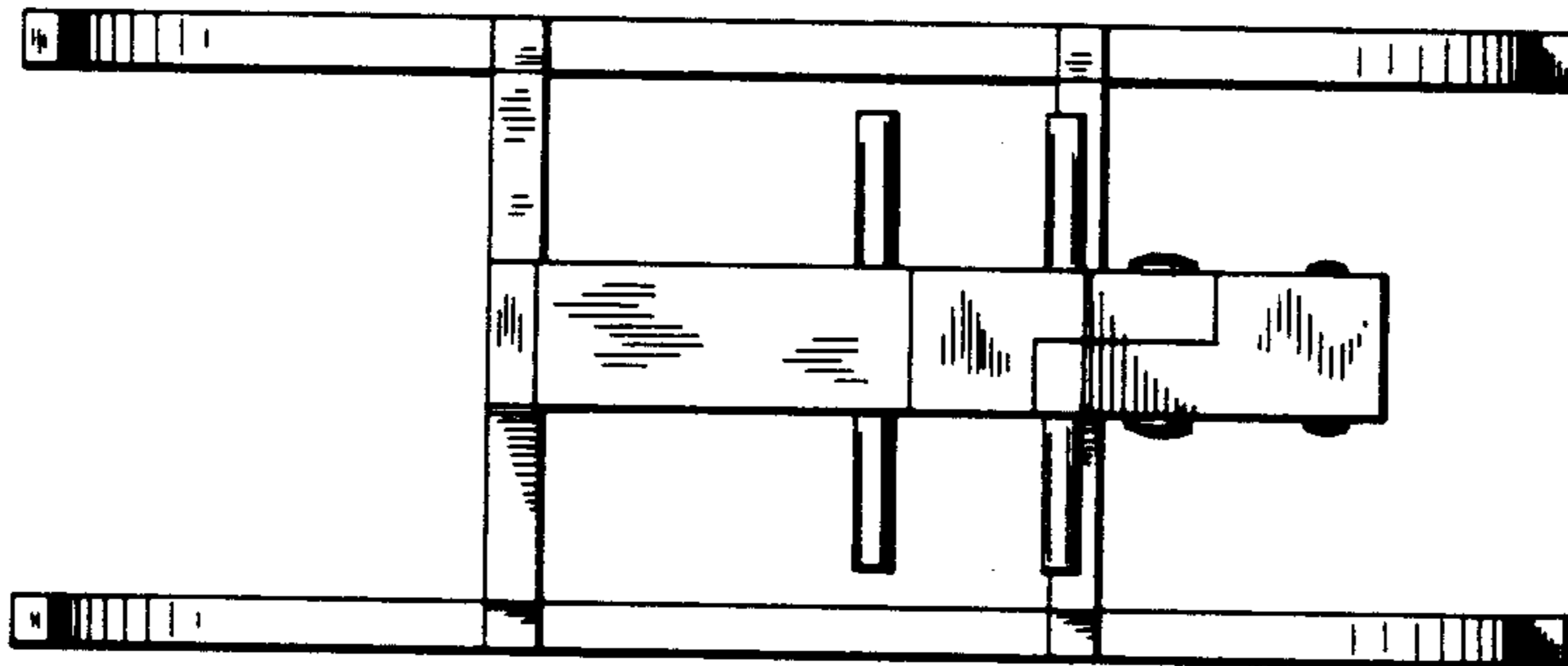


Fig. 4



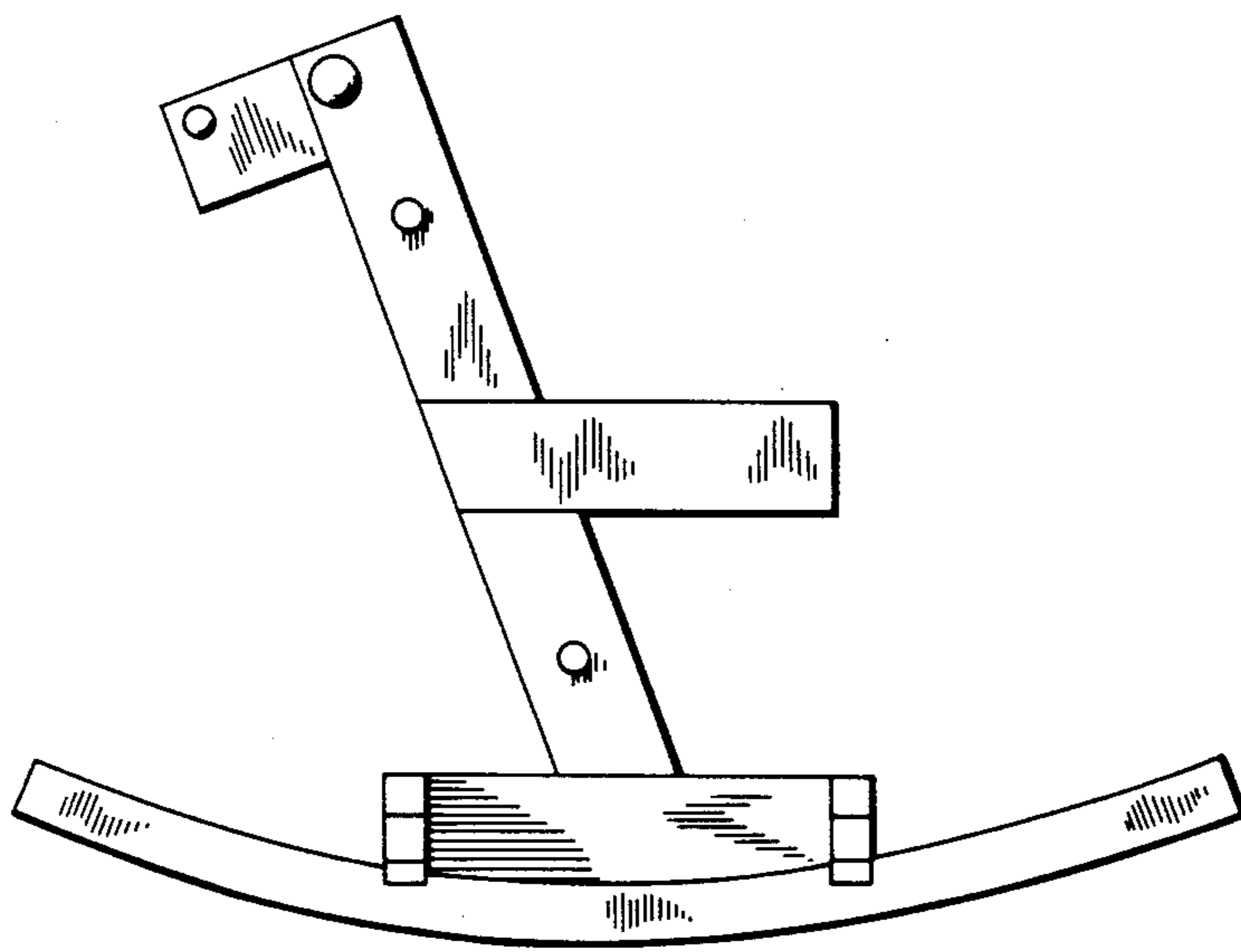


Fig. 5