

[54] MACHINE FOR ASSEMBLING BUTTONS

484,976	10/1892	Phelps	79/5
1,092,492	4/1914	Lauesen	79/4
3,661,039	5/1972	Lewis	79/5

[75] Inventor: Malcolm J. Roebuck, LaSalle, Ill.

[73] Assignee: Badge-A-Minit Ltd., LaSalle, Ill.

[**] Term: 14 Years

Primary Examiner—Wallace R. Burke
Assistant Examiner—B. J. Bullock
Attorney, Agent, or Firm—Charles W. Rummier

[21] Appl. No.: 959,871

[57] CLAIM

[22] Filed: Nov. 13, 1978

The ornamental design for a machine for assembling buttons, as shown.

[51] Int. Cl. D15-99

[52] U.S. Cl. D15/122; D15/199

[58] Field of Search D15/122, 124-136,
D15/138-140, 144-146, 199; 79/4, 5

DESCRIPTION

FIG. 1 is a perspective view of a machine for assembling buttons, showing my new design;
FIG. 2 is a side elevational view of the side opposite to that shown in FIG. 1;
FIG. 3 is a front elevational view thereof;
FIG. 4 is a rear elevational view thereof; and
FIG. 5 is a top plan view thereof.

[56] References Cited

U.S. PATENT DOCUMENTS

D. 225,031 10/1972 Roebuck D15/122

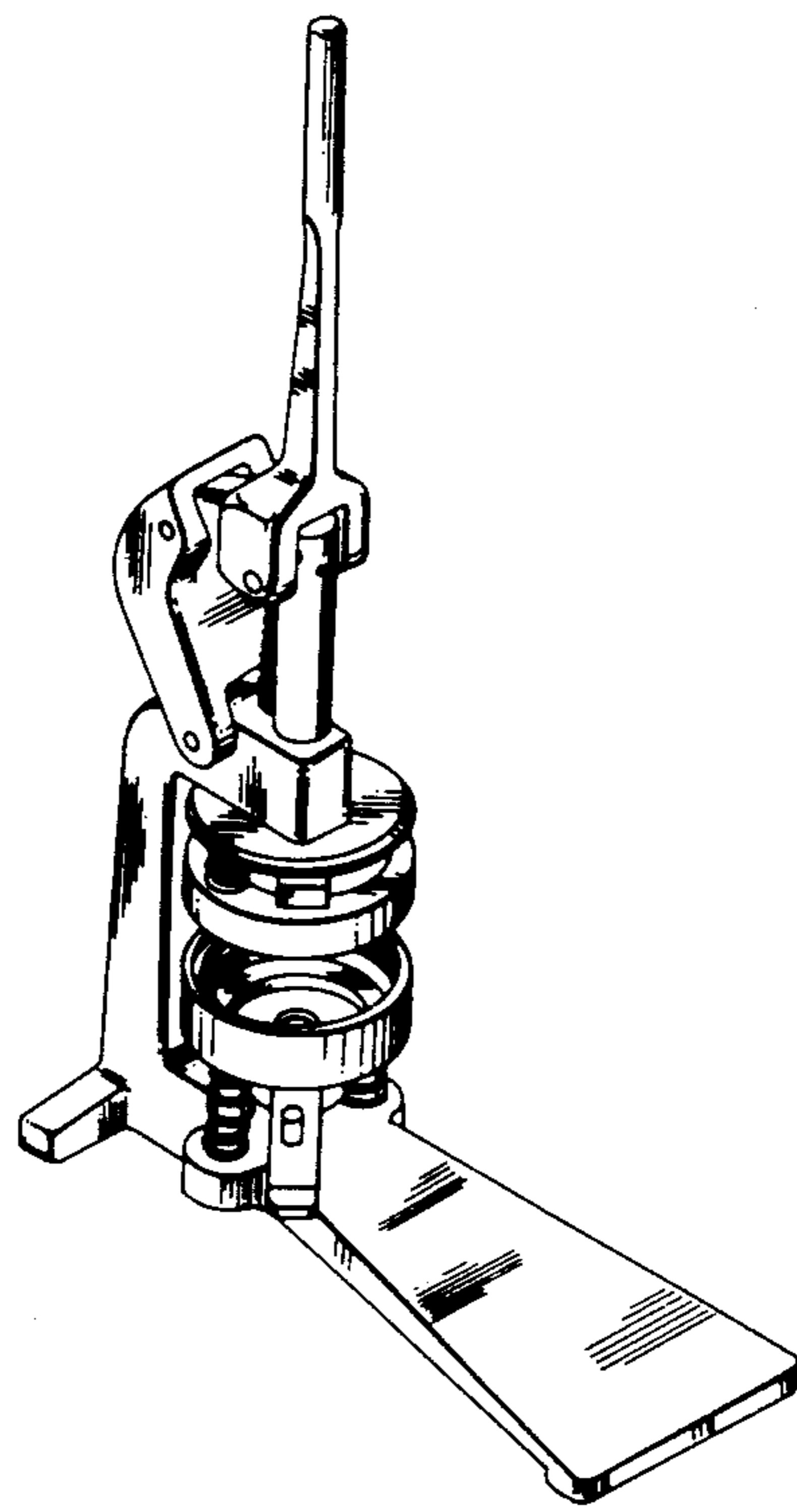


FIG-1

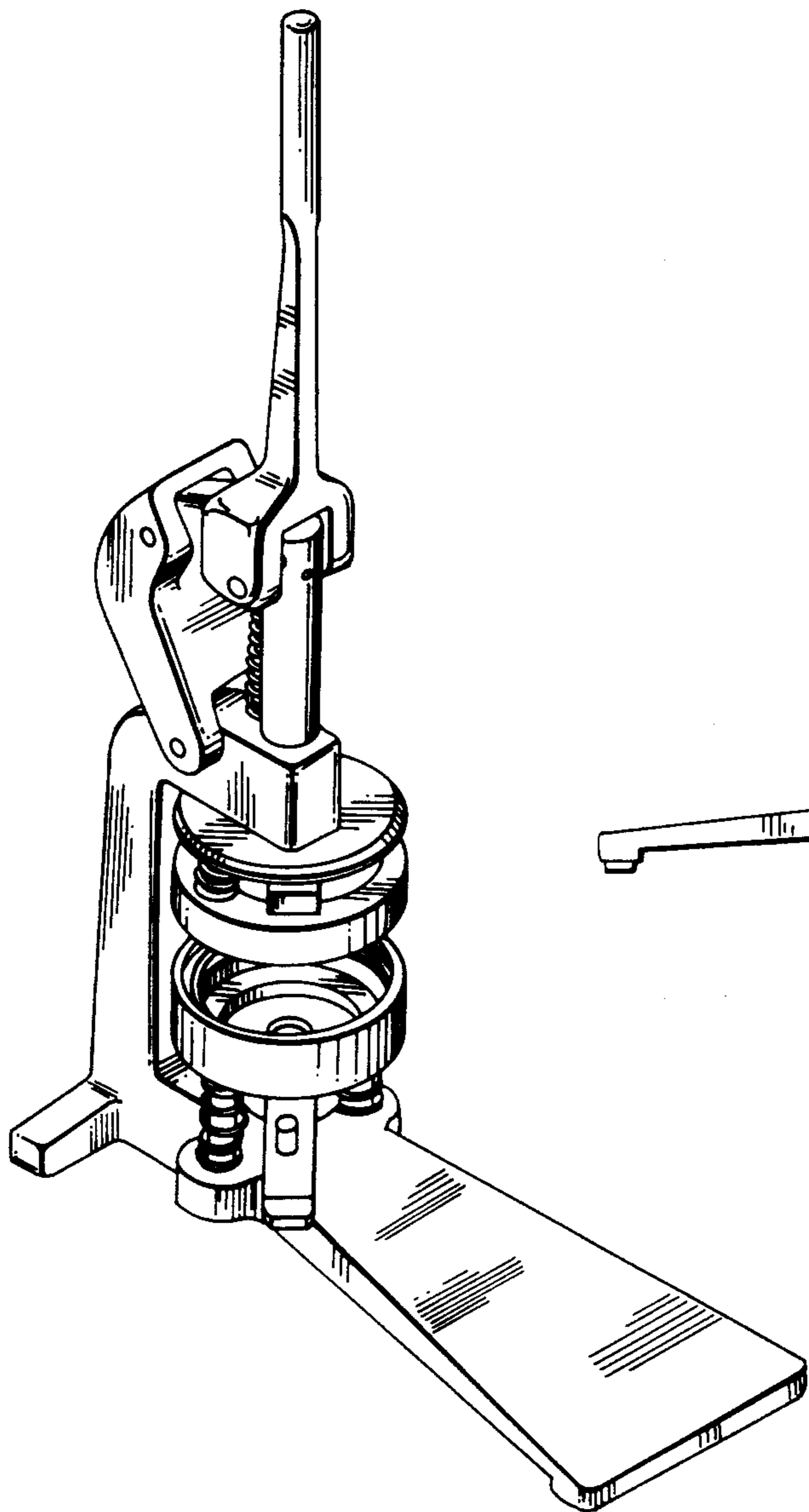


FIG-2

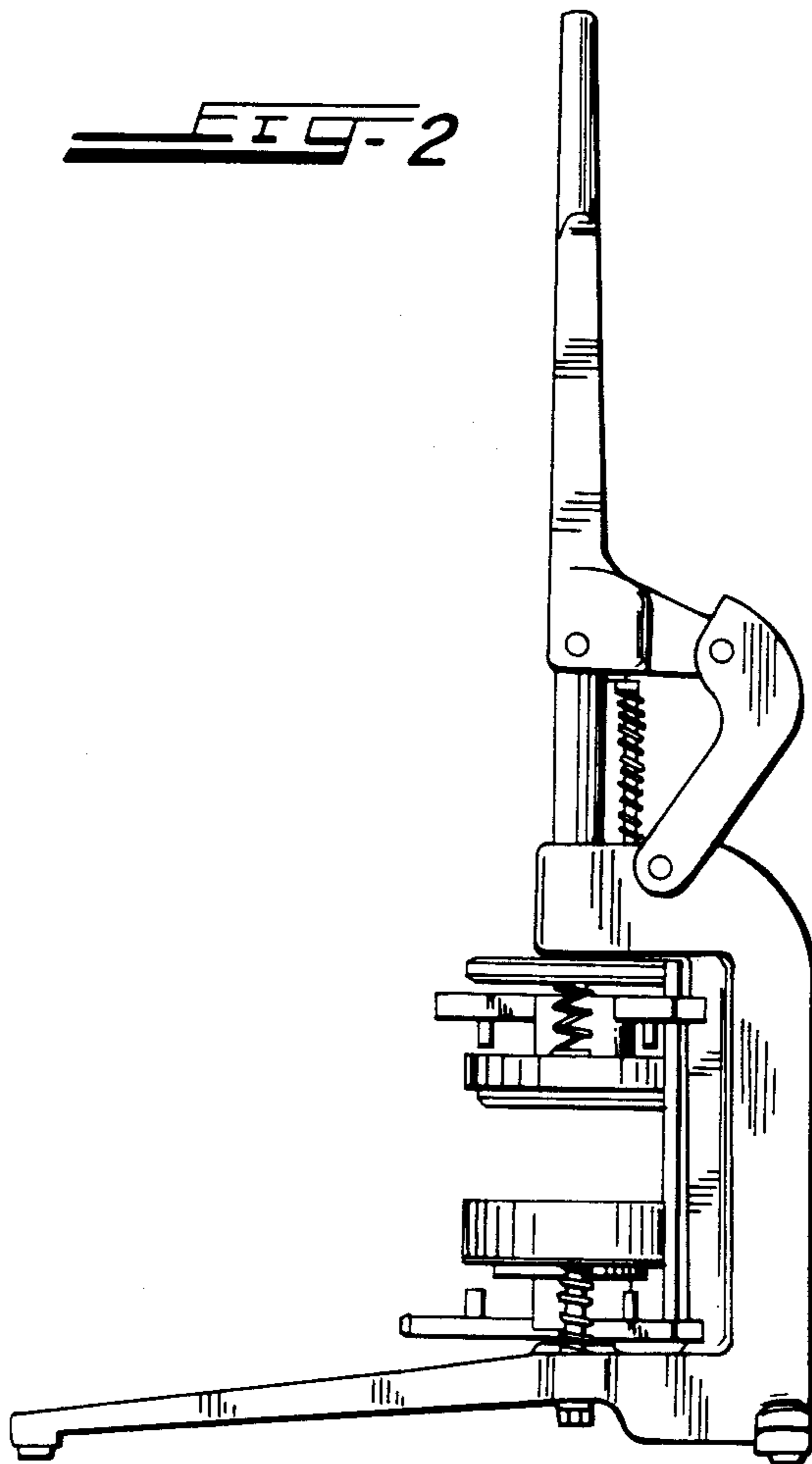


FIG. 3

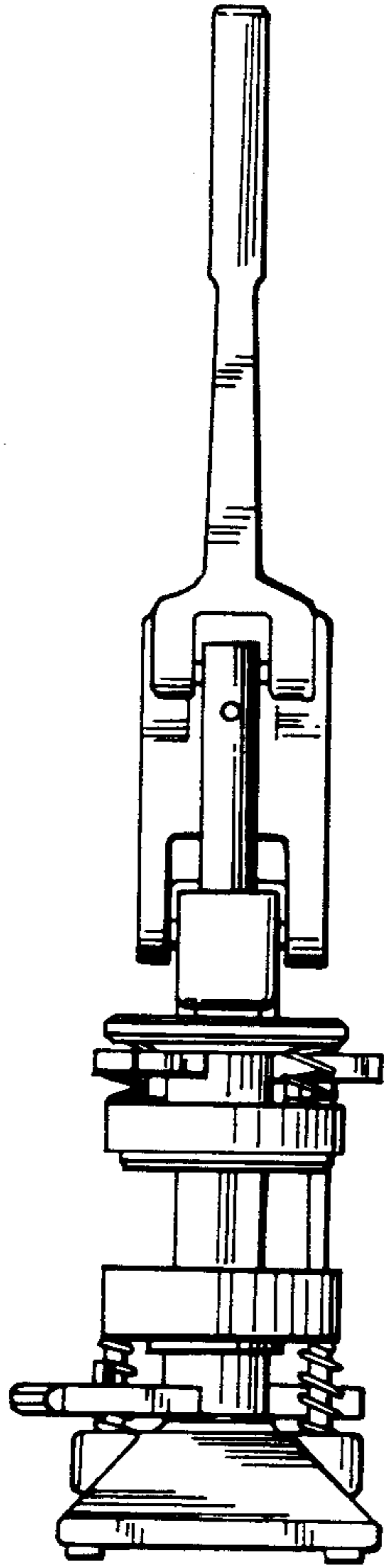


FIG. 4

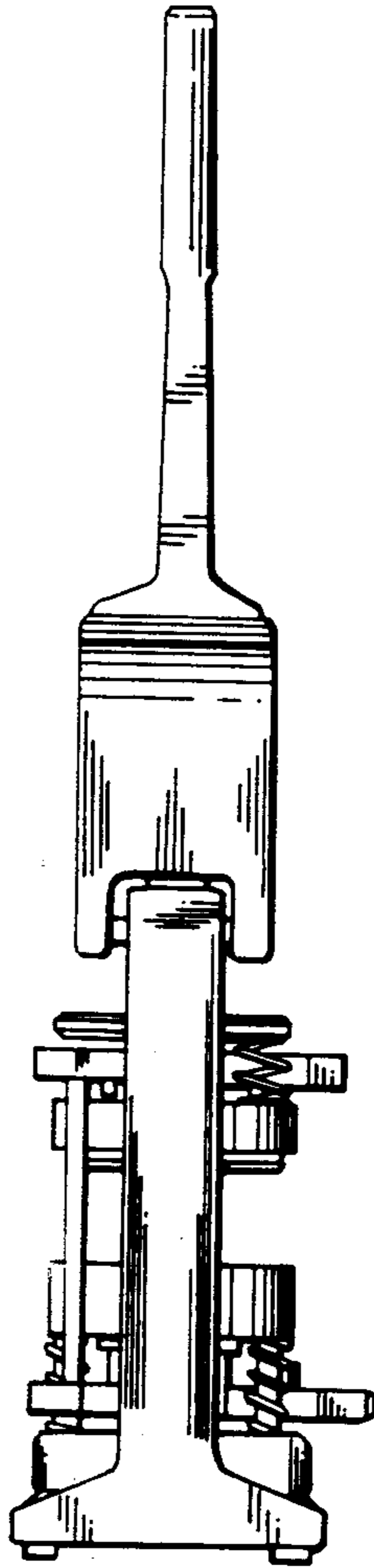


FIG. 5

