

[54] LOUDSPEAKER WITH GRILLE  
[75] Inventor: Hideyuki Matsubara, Tokyo, Japan  
[73] Assignee: Pioneer Kabushiki Kaisha, Tokyo, Japan

[\*\*] Term: 14 Years

[21] Appl. No.: 959,197

[22] Filed: Nov. 9, 1978

[30] Foreign Application Priority Data

May 10, 1978 [JP] Japan ..... 53-19178

[51] Int. Cl. .... D14-01

[52] U.S. Cl. .... D14/30; 181/157

[58] Field of Search ..... 181/157; 179/116, 1 E, 179/178; D14/30, 39, 23, 24, 33, 34

[56] References Cited

U.S. PATENT DOCUMENTS

D. 188,542 8/1960 Levy et al. .... D14/30

D. 197,716	3/1964	Boldt et al. ....	D14/30
D. 198,377	6/1964	Wassmann ....	D14/30
D. 244,781	6/1977	Saidel ....	D14/39
1,080,953	12/1913	Catucci ....	D14/39 X
2,857,478	10/1958	Harris ....	179/116
4,032,725	6/1977	McGee ....	179/178 X

Primary Examiner—Bernard Ansher  
Attorney, Agent, or Firm—Armstrong, Nikaido, Marmelstein & Kubovcik

[57] CLAIM

The ornamental design for loudspeaker with grille, as shown and described.

DESCRIPTION

FIG. 1 is a front elevation view of a loudspeaker with grille incorporating my new design;  
FIG. 2 is a rear elevation view of the loudspeaker;  
FIG. 3 is a top plan view of the loudspeaker;  
FIG. 4 is a right side elevation view of the loudspeaker; and  
FIG. 5 is a perspective view of the loudspeaker.

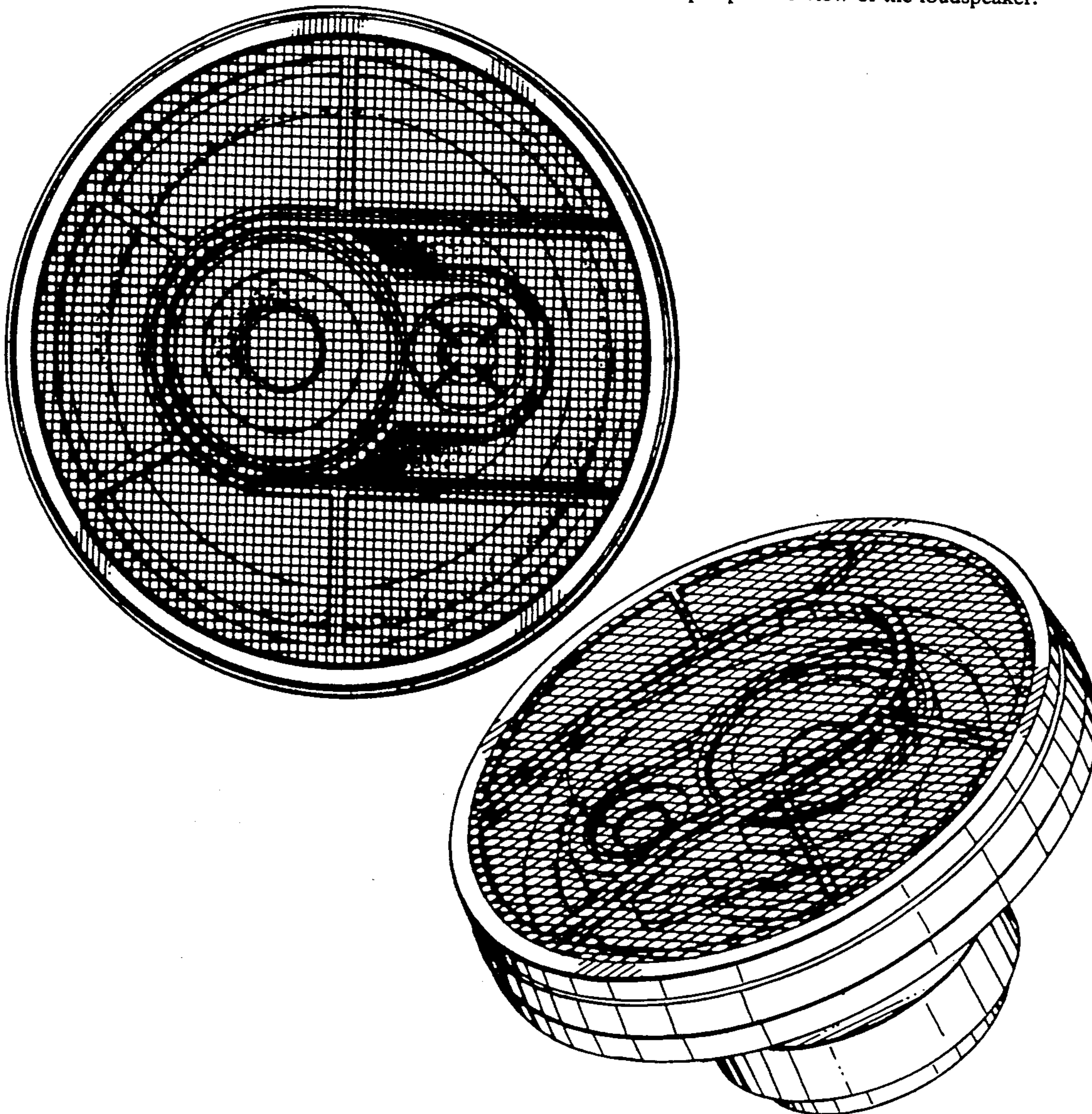


FIG. 1

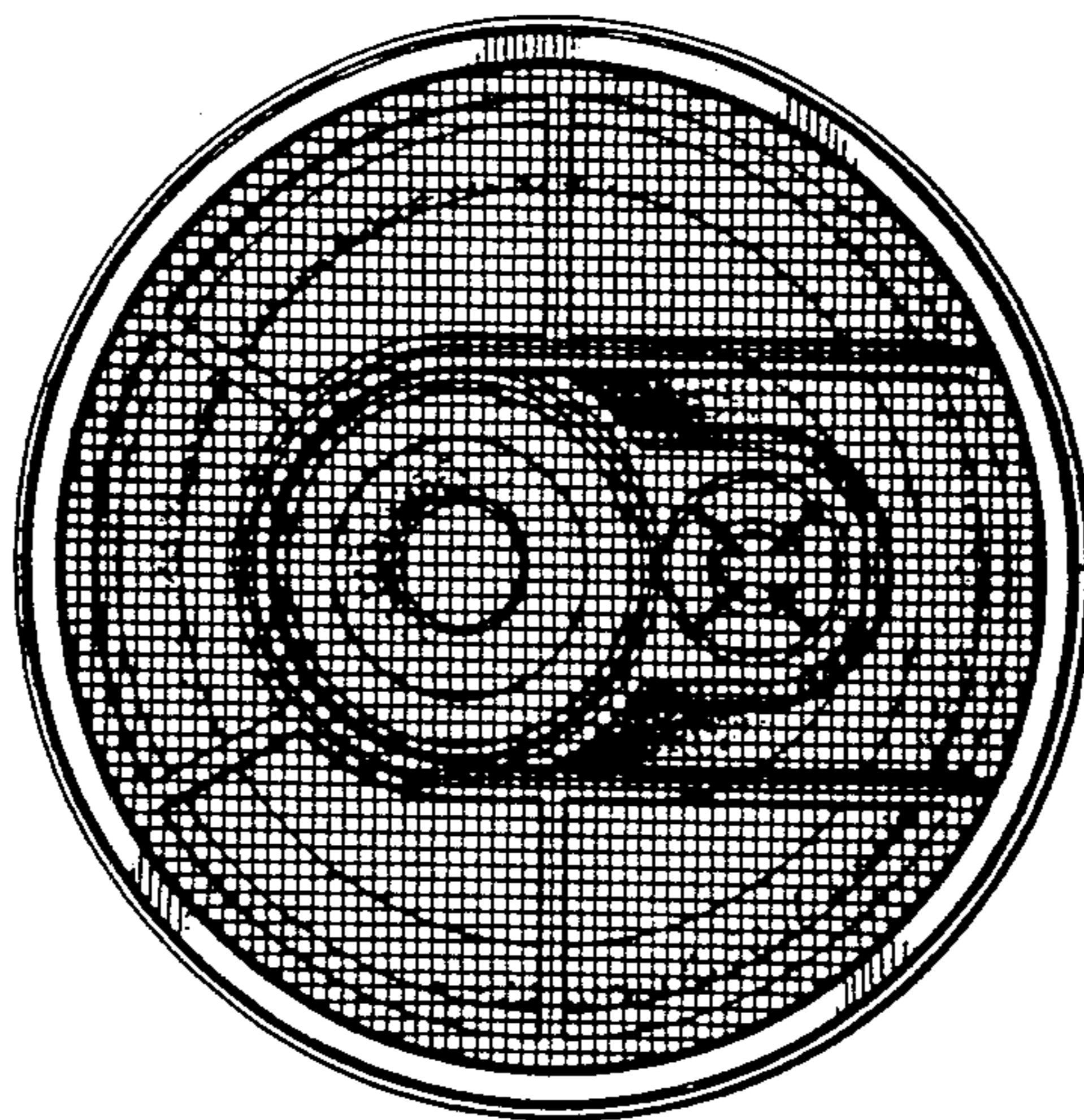


FIG. 2

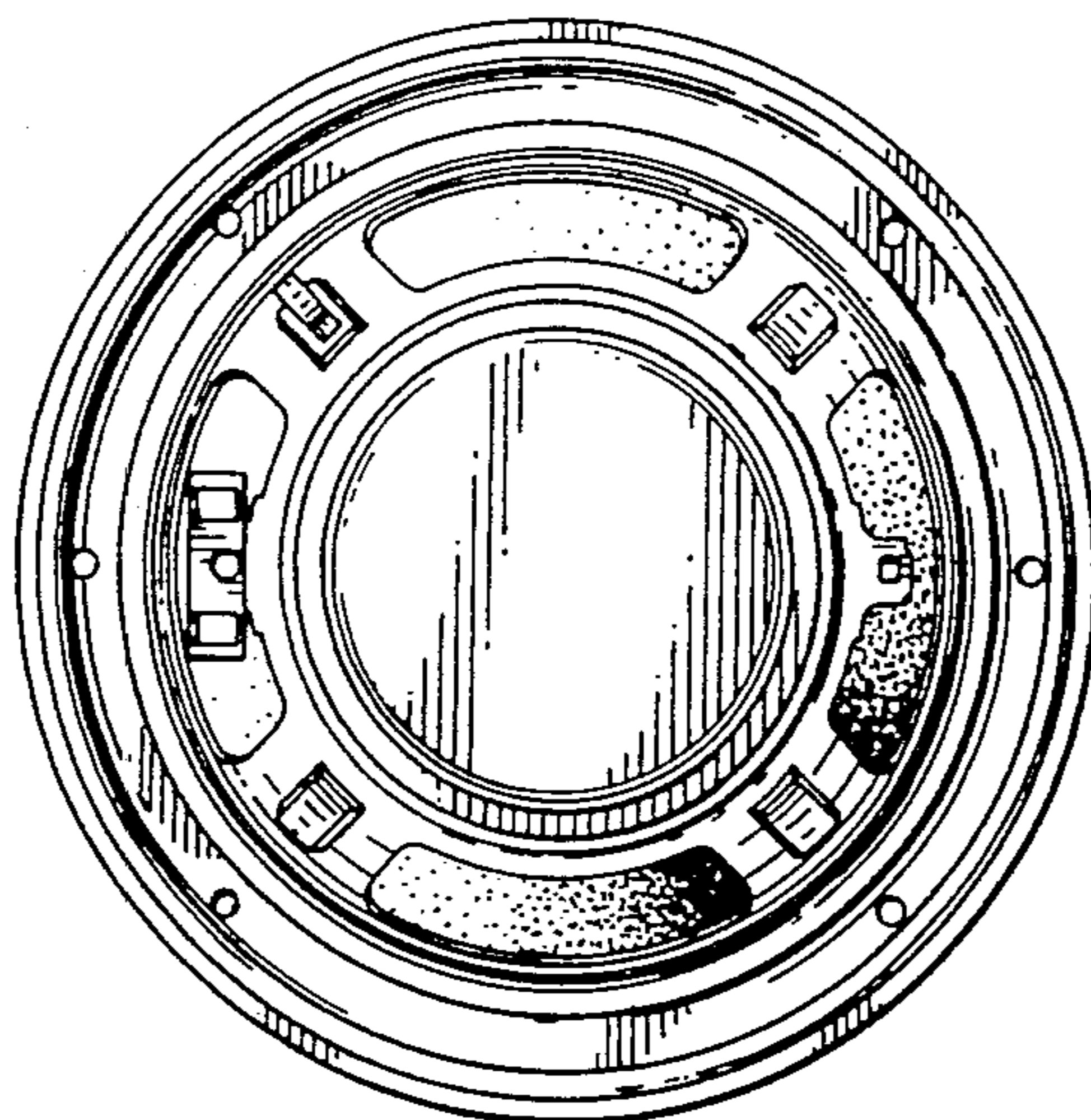


FIG. 3

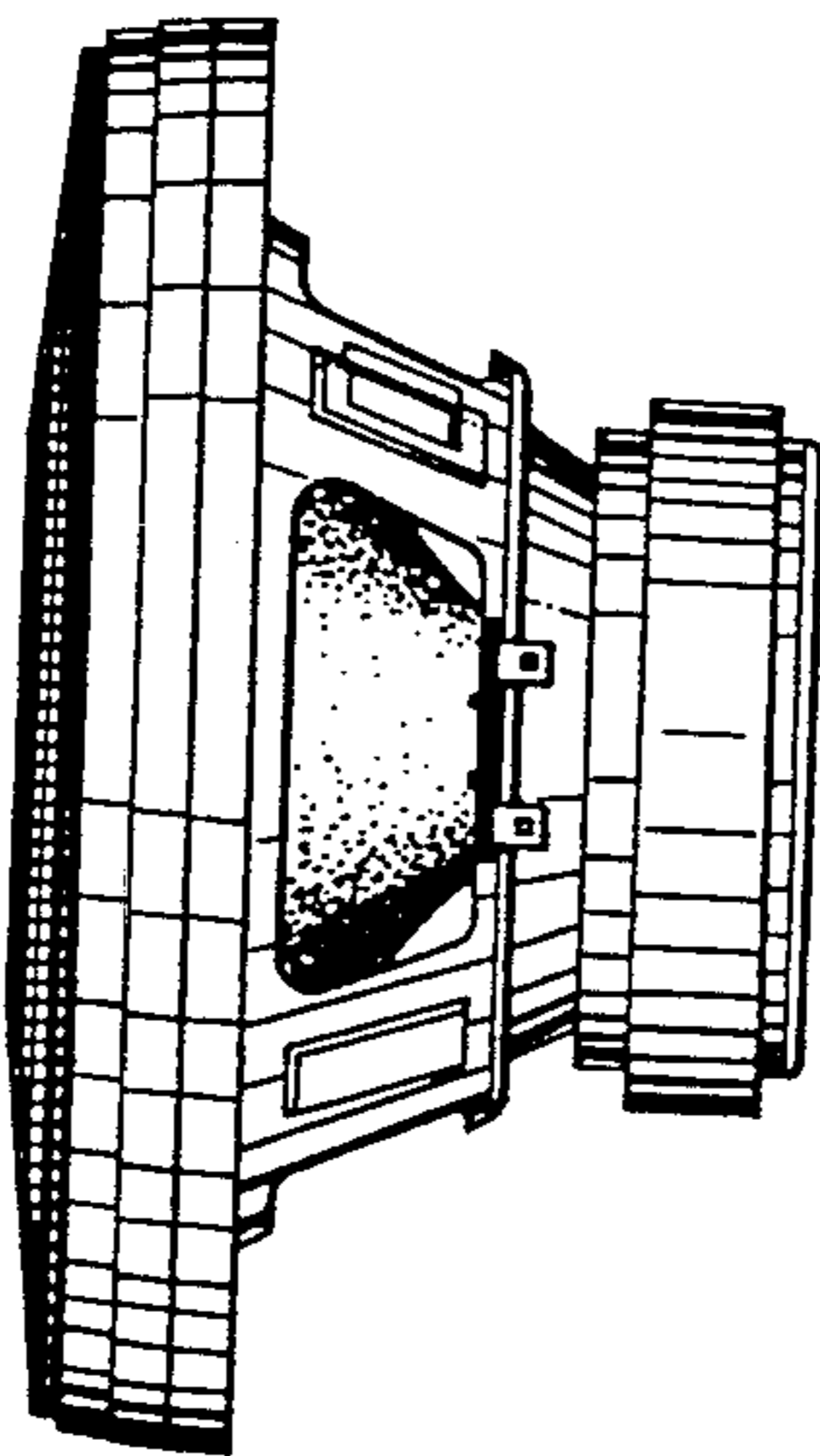
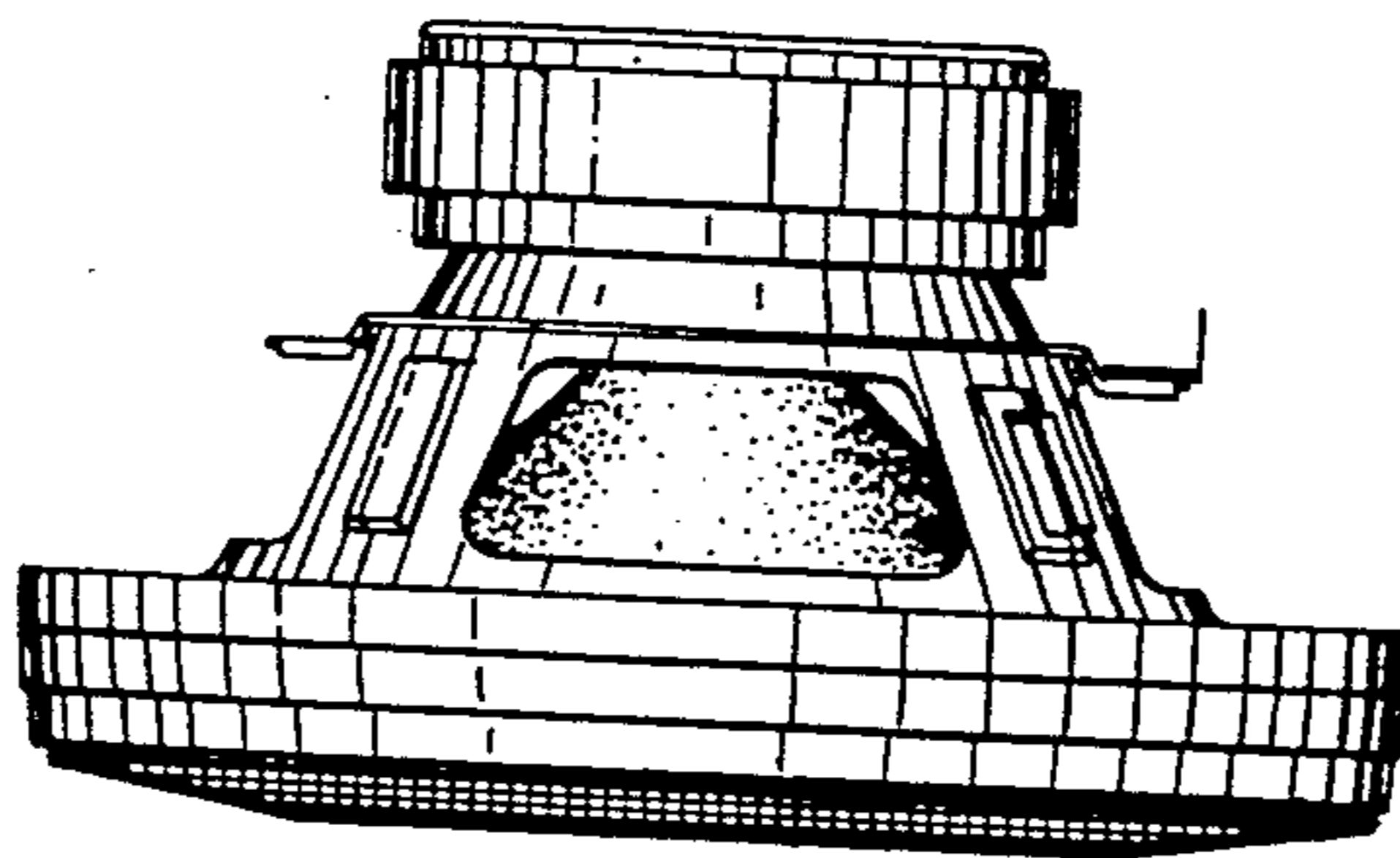


FIG. 4

FIG. 5

