

[54] HIGH VOLTAGE FUSE END FITTING

[75] Inventors: Bruce A. Biller, Chicago; Henry W. Scherer, Mount Prospect, both of Ill.

[73] Assignee: S & C Electric Company, Chicago, Ill.

[**] Term: 14 Years

[21] Appl. No.: 837,242

[22] Filed: Sep. 27, 1977

[51] Int. Cl. D13-03

[52] U.S. Cl. D13/35

[58] Field of Search D13/99, 35, 40; 337/187, 188, 158, 159, 160, 162, 168, 180, 186, 190, 191

[56] References Cited

FOREIGN PATENT DOCUMENTS

- 517784 10/1955 Canada 337/180
- 76249 10/1954 Netherlands 337/180

Primary Examiner—Susan J. Lucas
Attorney, Agent, or Firm—John D. Kaufmann

[57] CLAIM

The ornamental design for a high voltage fuse end fitting, substantially as shown and described.

DESCRIPTION

FIG. 1 is a perspective view of a preferred embodiment of an end fitting for a high voltage fuse according to the invention;

FIG. 2 is a back, elevational view of the end fitting of FIG. 1 on an enlarged scale;

FIG. 3 is a side, elevational view of the end fitting of FIG. 1 on an enlarged scale;

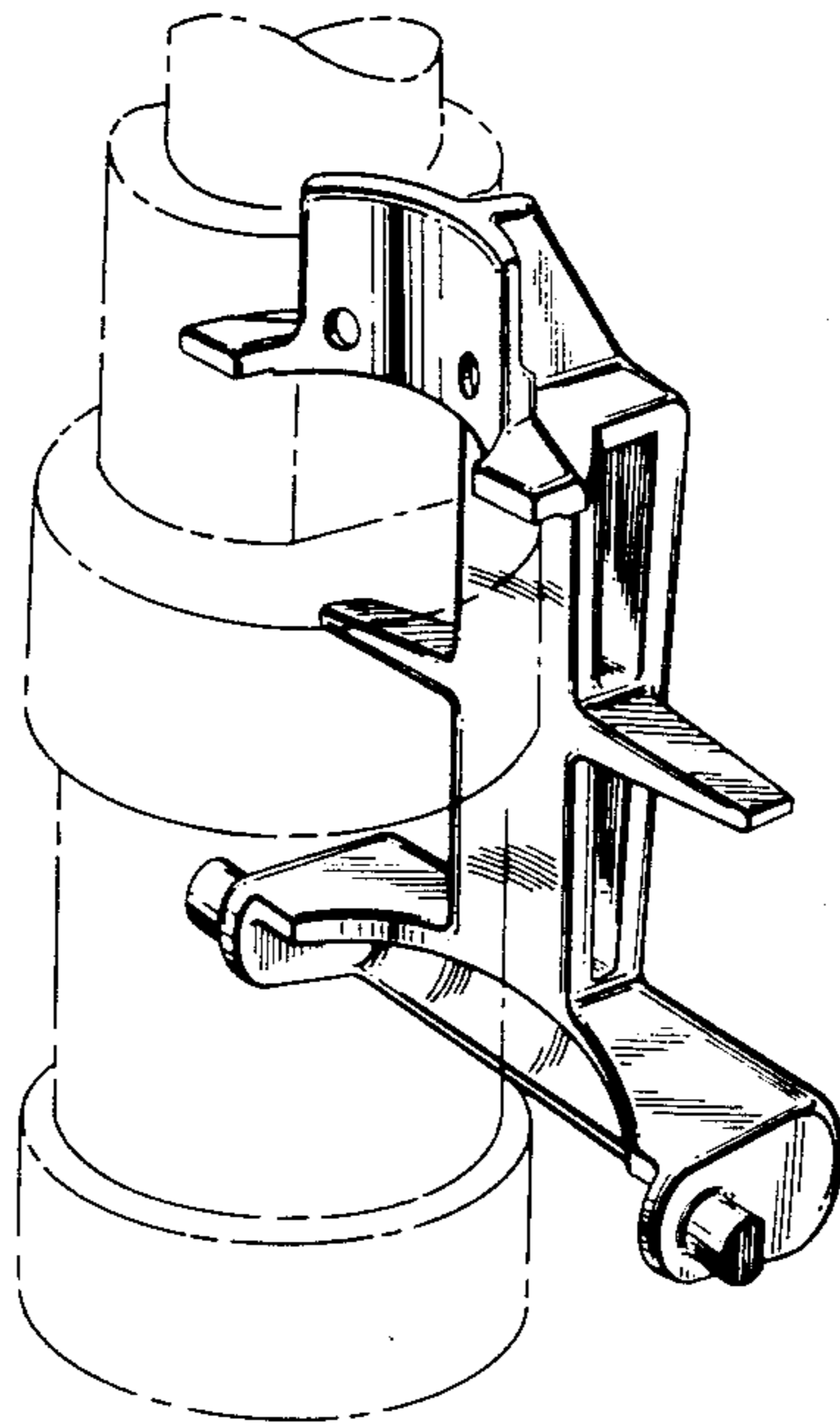
FIG. 4 is a top view of the end fitting of FIG. 1 on an enlarged scale;

FIG. 5 is a bottom view of the end fitting of FIG. 1 on an enlarged scale;

FIG. 6 is a perspective, front and side elevational view of a first alternative embodiment of the end fitting according to the invention; and

FIG. 7 is a perspective view of a second alternative embodiment of the end fitting according to the invention.

The high-voltage fuse with an exhaust control device thereon is shown in broken lines in FIGS. 1 and 7 for illustrative purposes only.



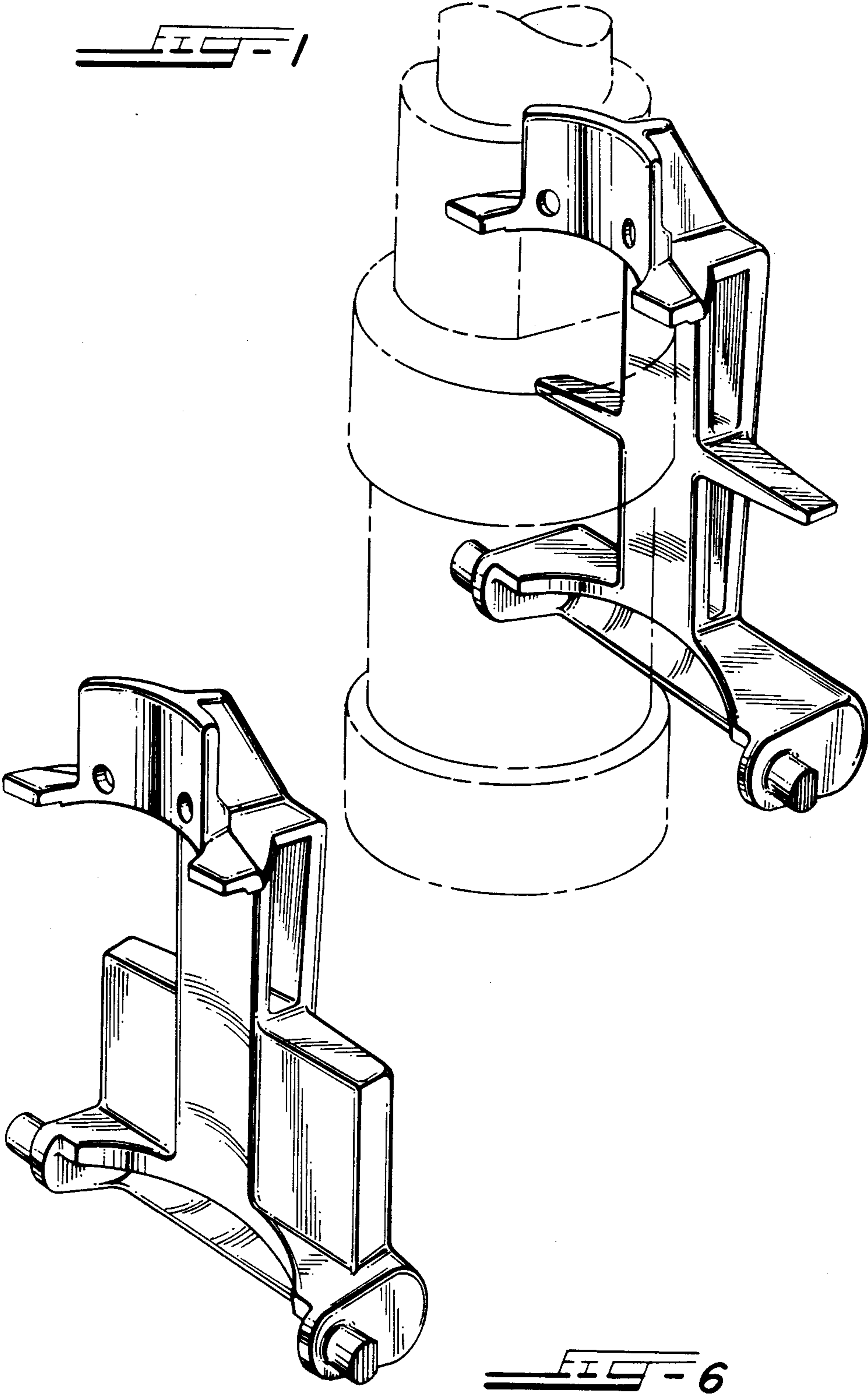


FIG-2

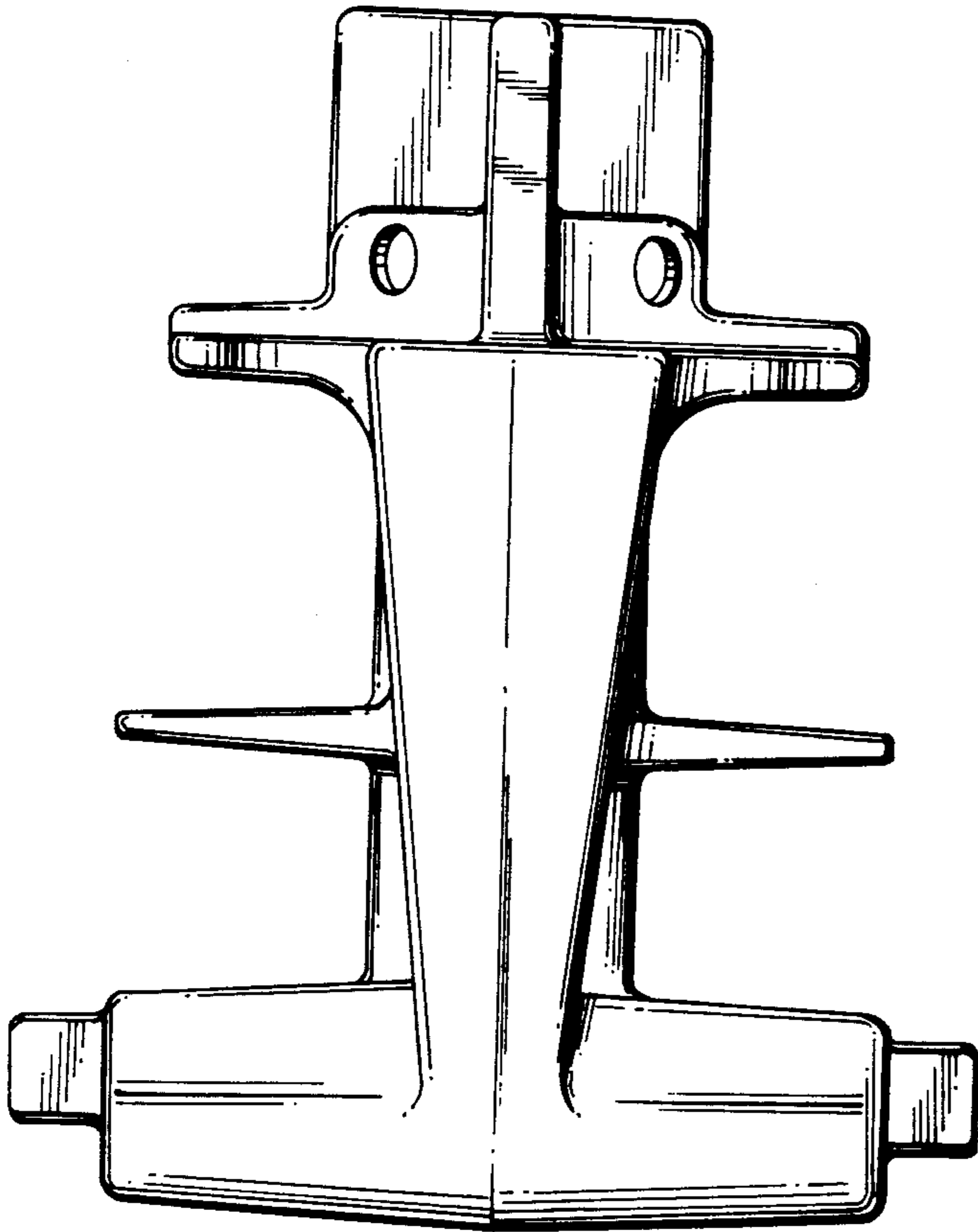


FIG-3

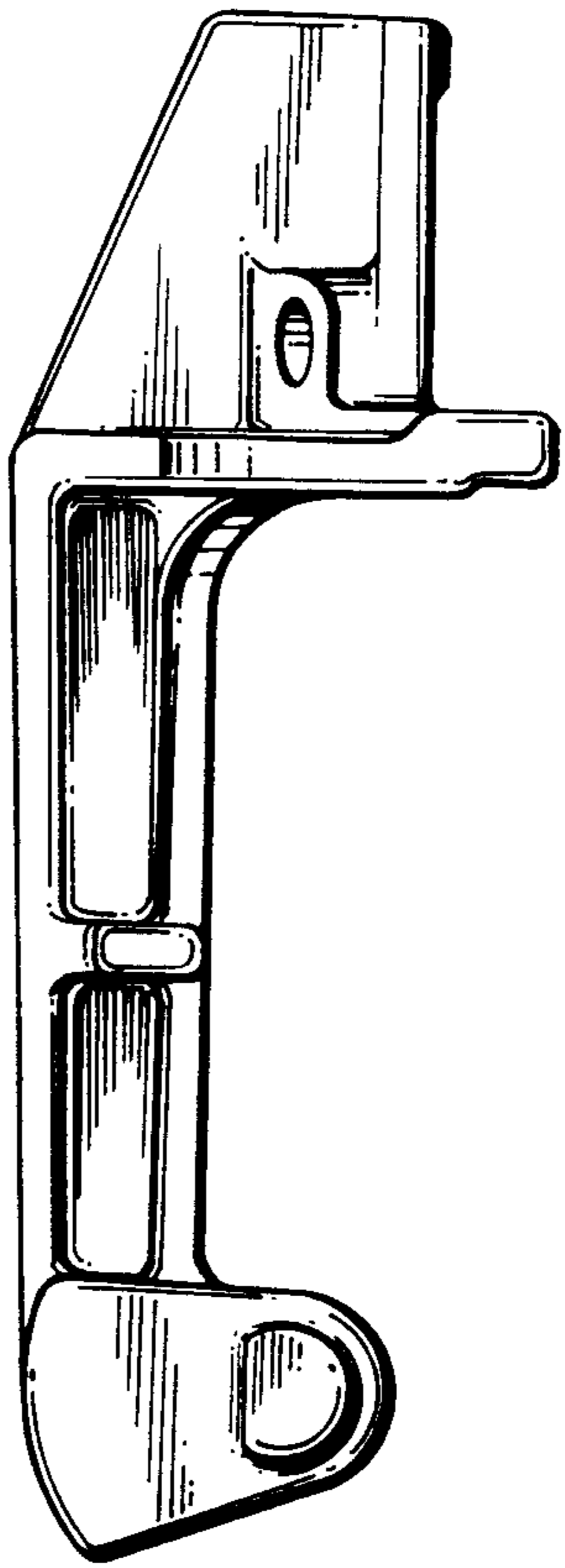


FIG-4

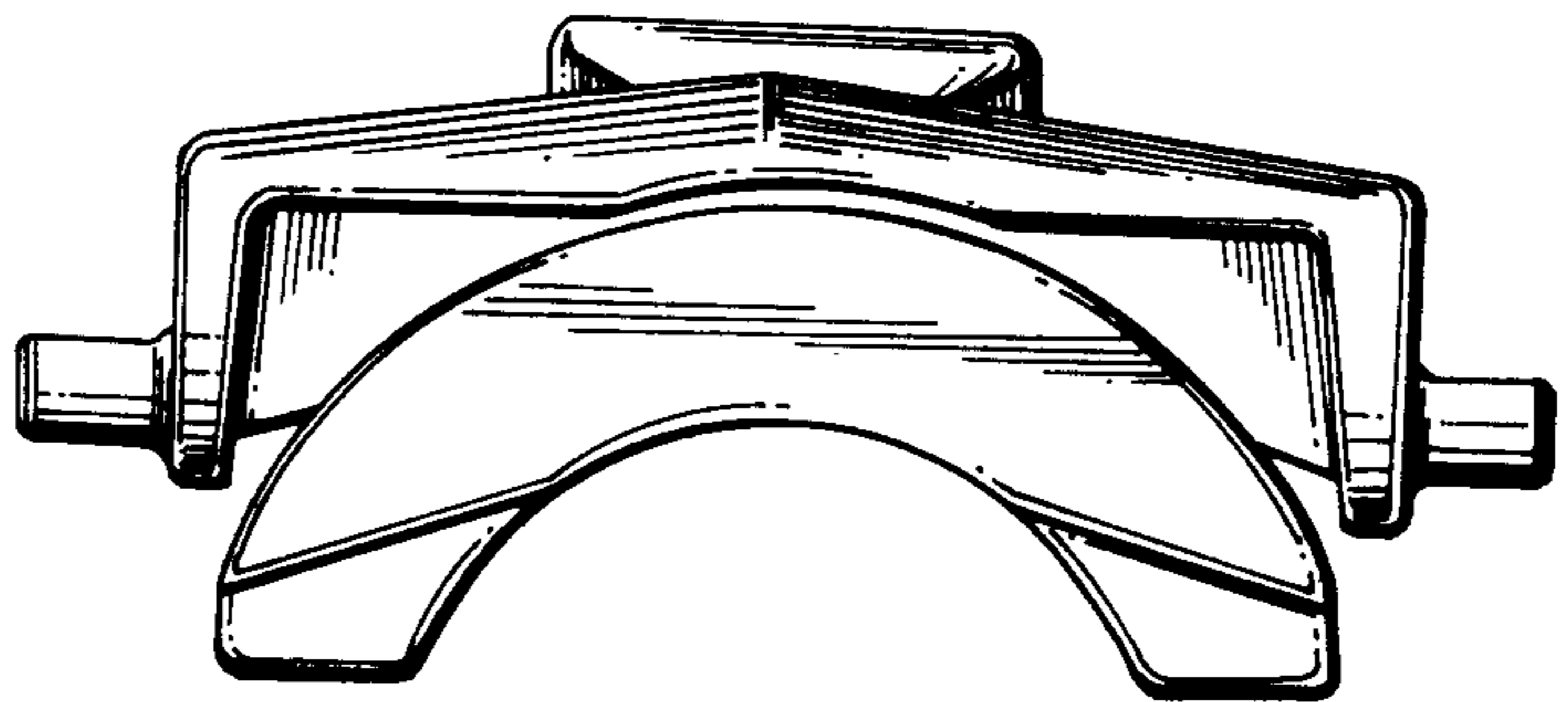


FIG-5

