

[54] PADDLE WHEEL APPARATUS

[76] Inventor: Roger C. Stevens, 5900 Camden Ave. North, Brooklyn Center, Minn. 55430

[**] Term: 14 Years

[21] Appl. No.: 869,030

[22] Filed: Jan. 12, 1978

[51] Int. Cl. D12-06

[52] U.S. Cl. D12/70; D12/68; D12/69; 416/78; 115/23

[58] Field of Search 416/78; 115/23; D12/68, D12/69, 70

[56] References Cited

U.S. PATENT DOCUMENTS

1,028,265 6/1912 Oppenheimer 115/23

FOREIGN PATENT DOCUMENTS

1541332 10/1968 France 115/23

Primary Examiner—Sam Rosen

Attorney, Agent, or Firm—Merchant, Gould, Smith, Edell, Welter & Schimdt

[57] CLAIM

A new and ornamental design for a paddle wheel apparatus, substantially as shown and described.

DESCRIPTION

FIG. 1 is a perspective view of the paddle wheel apparatus;

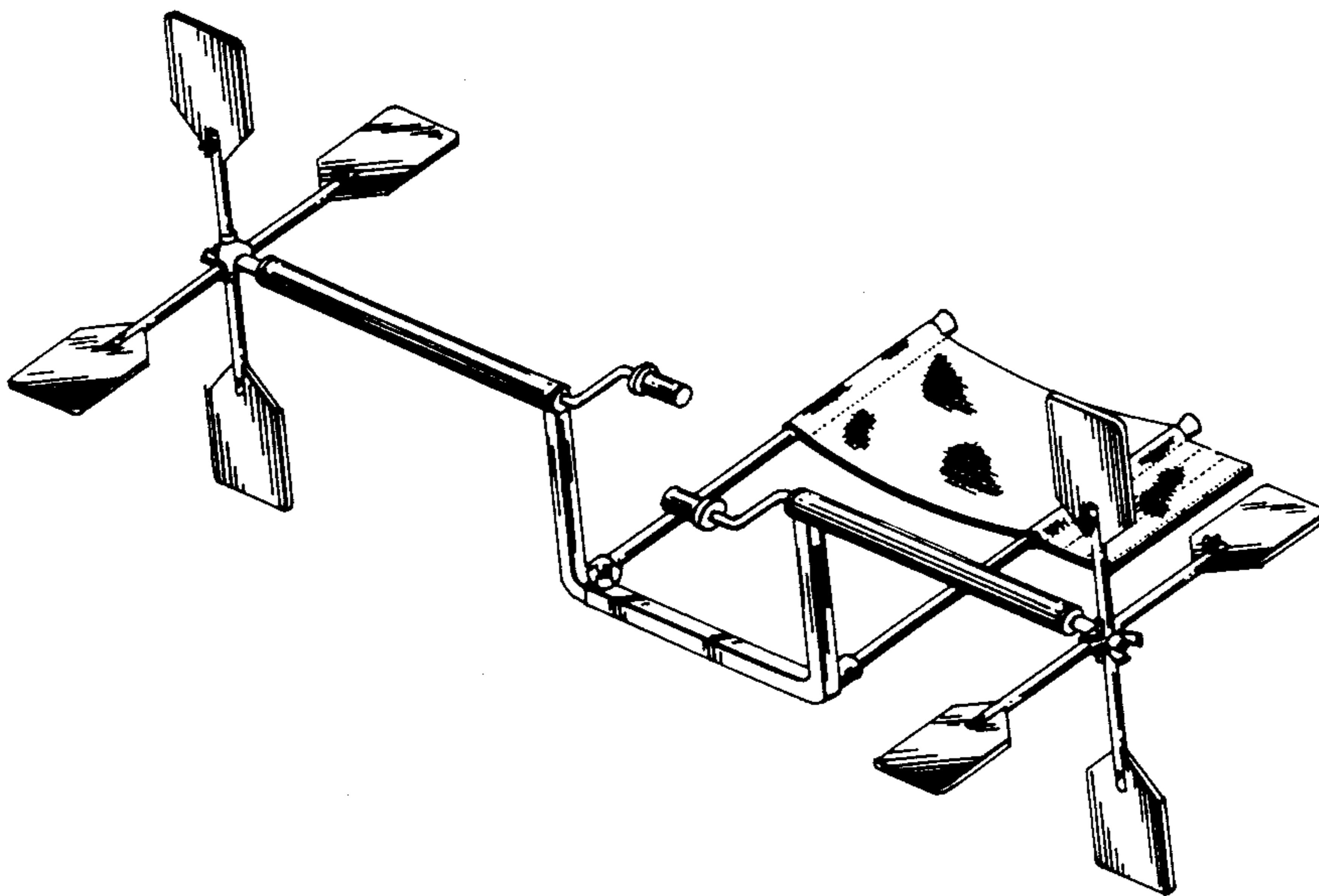
FIG. 2 is a top plan view thereof;

FIG. 3 is a bottom plan view thereof;

FIG. 4 is an elevational view thereof as viewed from the left end as seen in FIG. 1;

FIG. 5 is a front elevational view thereof; and

FIG. 6 is a rear elevational view thereof.



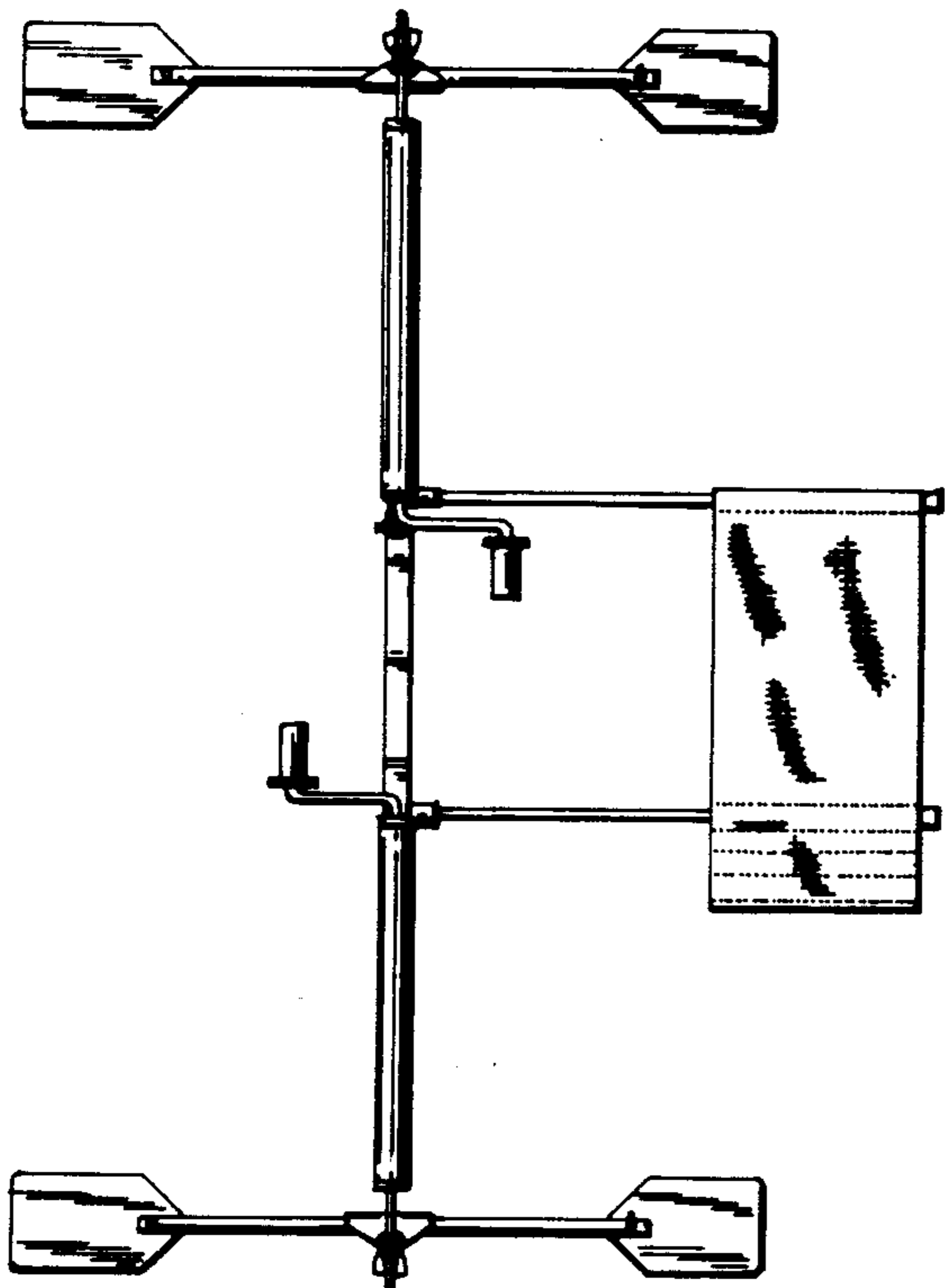
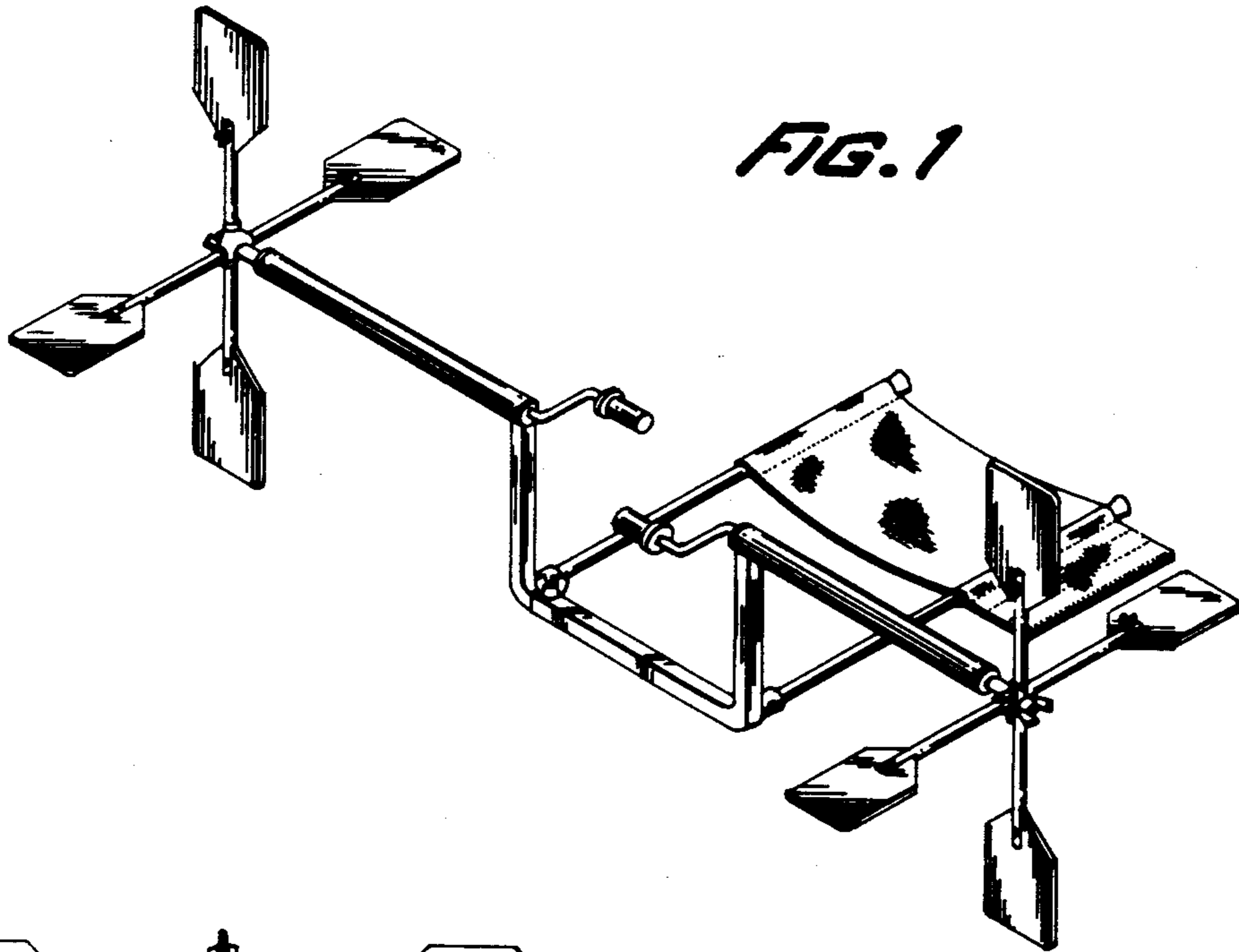


FIG. 3

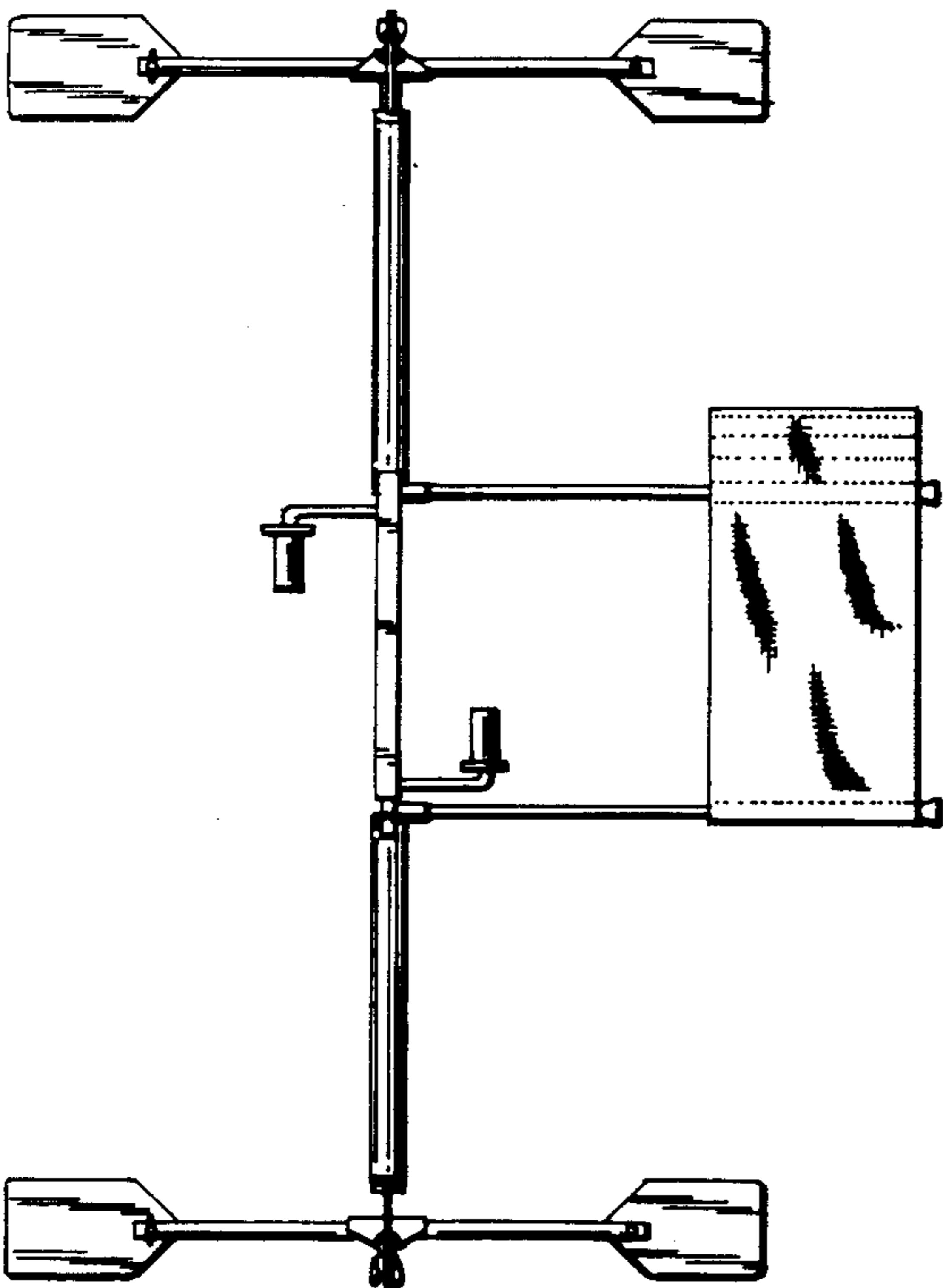


FIG. 4

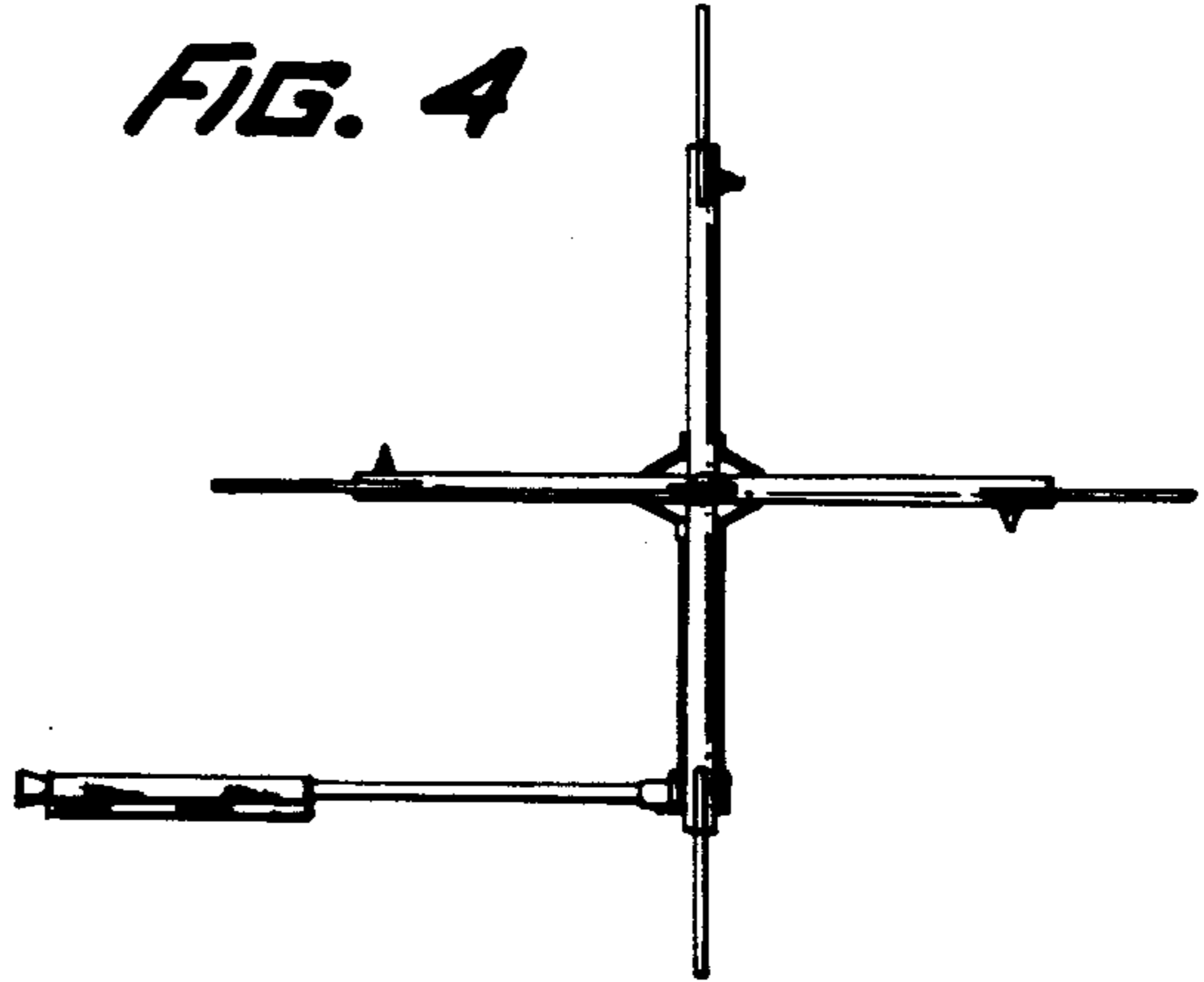


FIG. 5

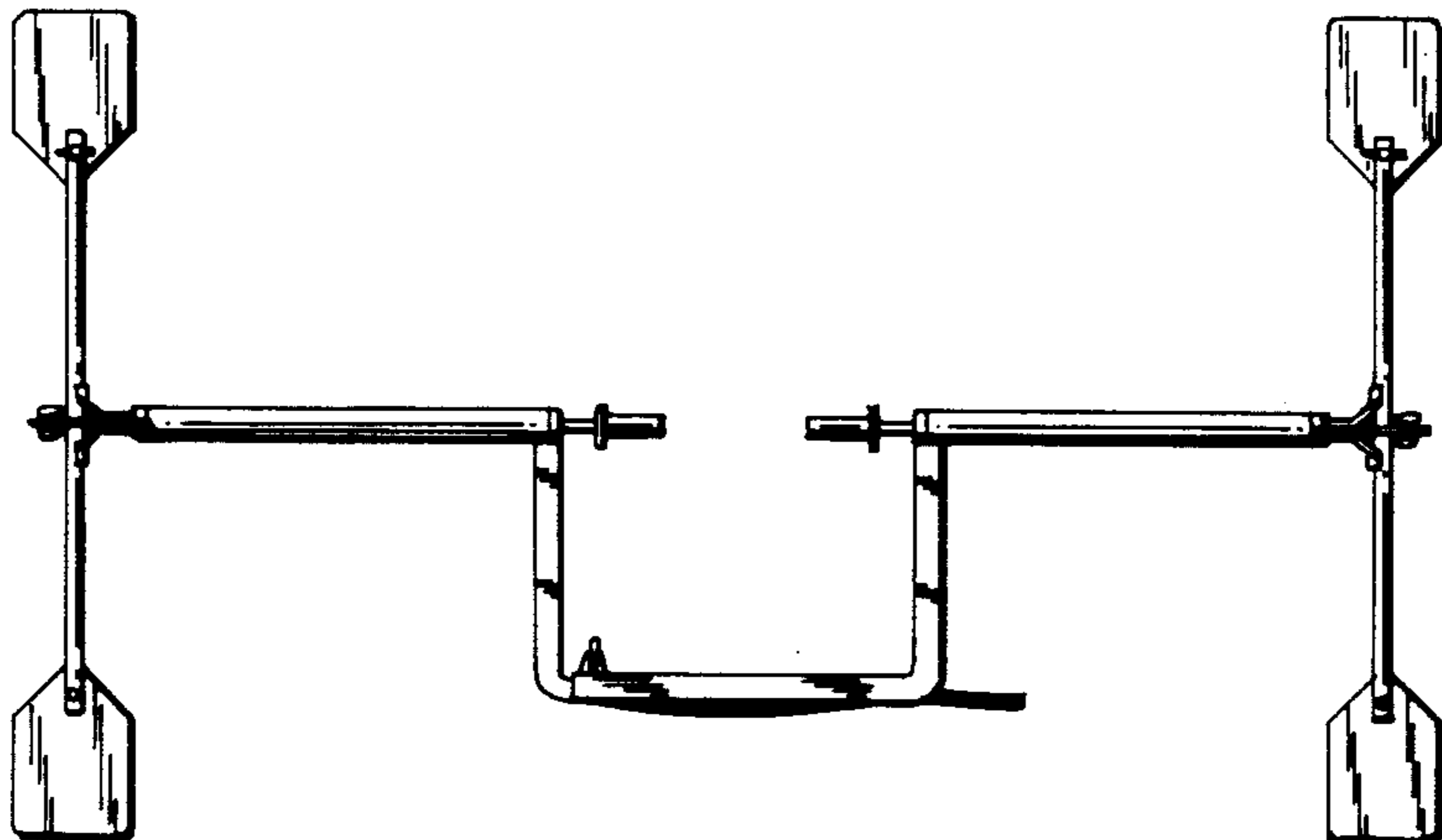


FIG. 6

