

[54] CARPET INSTALLING TOOL

[76] Inventors: Patrick W. Finucane, 287 Rosalie La., Palatine, Ill. 60067; William A. Malvasio, 608 S. Browns Lake Dr., Burlington, Wis. 52105

[**] Term: 14 Years

[21] Appl. No.: 875,250

[22] Filed: Feb. 6, 1978

[51] Int. Cl. D08-05

[52] U.S. Cl. D8/15; 254/57; 294/8.6

[58] Field of Search D8/15; 254/57-63; 294/8.6

[56] References Cited

U.S. PATENT DOCUMENTS

D. 245,665 9/1977 Klingensmith D8/15
3,572,800 3/1971 Graziano 254/57

FOREIGN PATENT DOCUMENTS

1186445 4/1970 United Kingdom 254/57

Primary Examiner—W. Stallard
Attorney, Agent, or Firm—Jacque L. Meister

[57] CLAIM

The ornamental design for a carpet installing tool, substantially as shown.

DESCRIPTION

FIG. 1 is top front perspective view of the carpet installing tool showing our new design; FIG. 2 is a bottom perspective view thereof; and FIG. 3 is a rear top perspective view thereof.

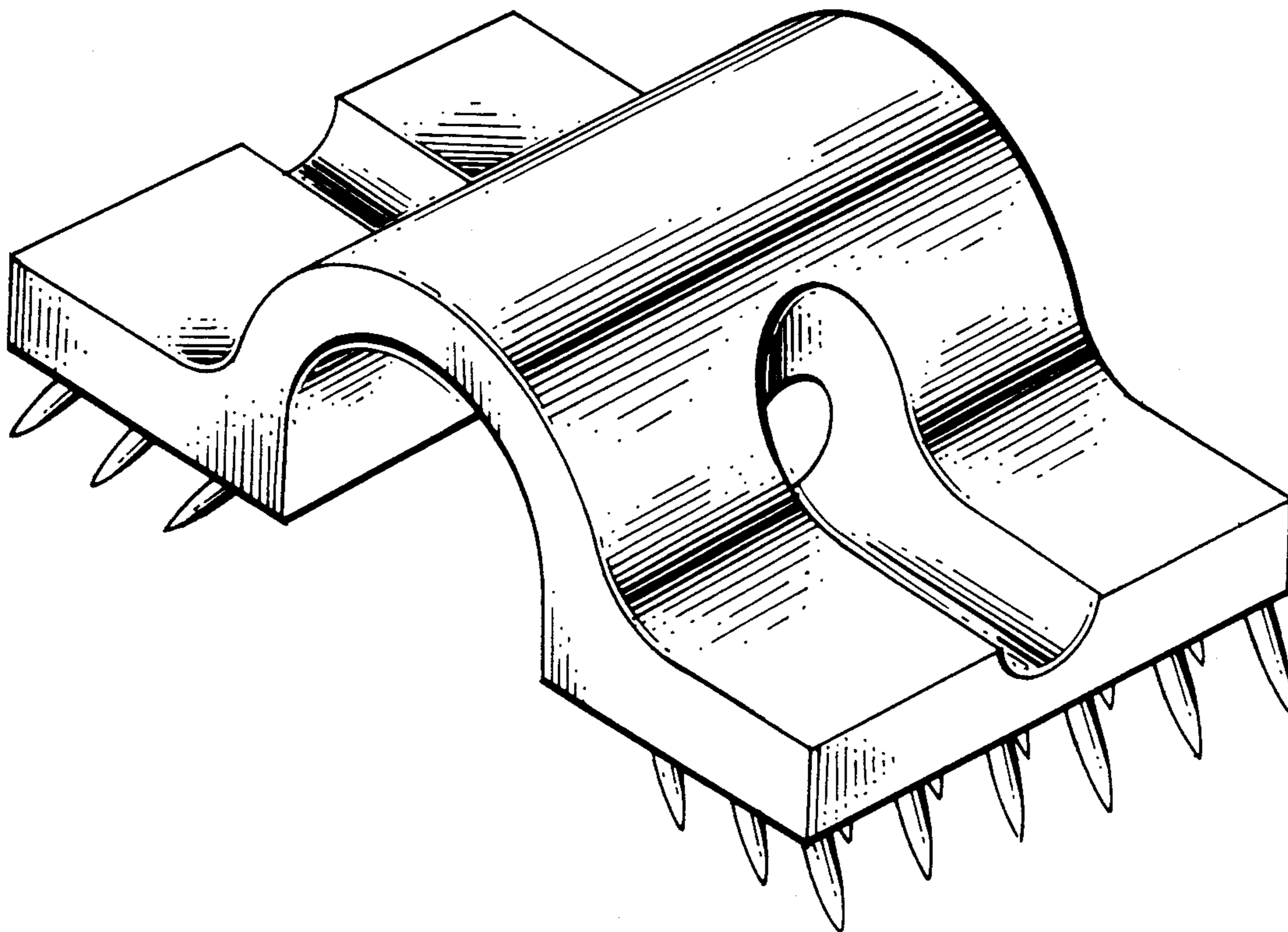


Fig. 1

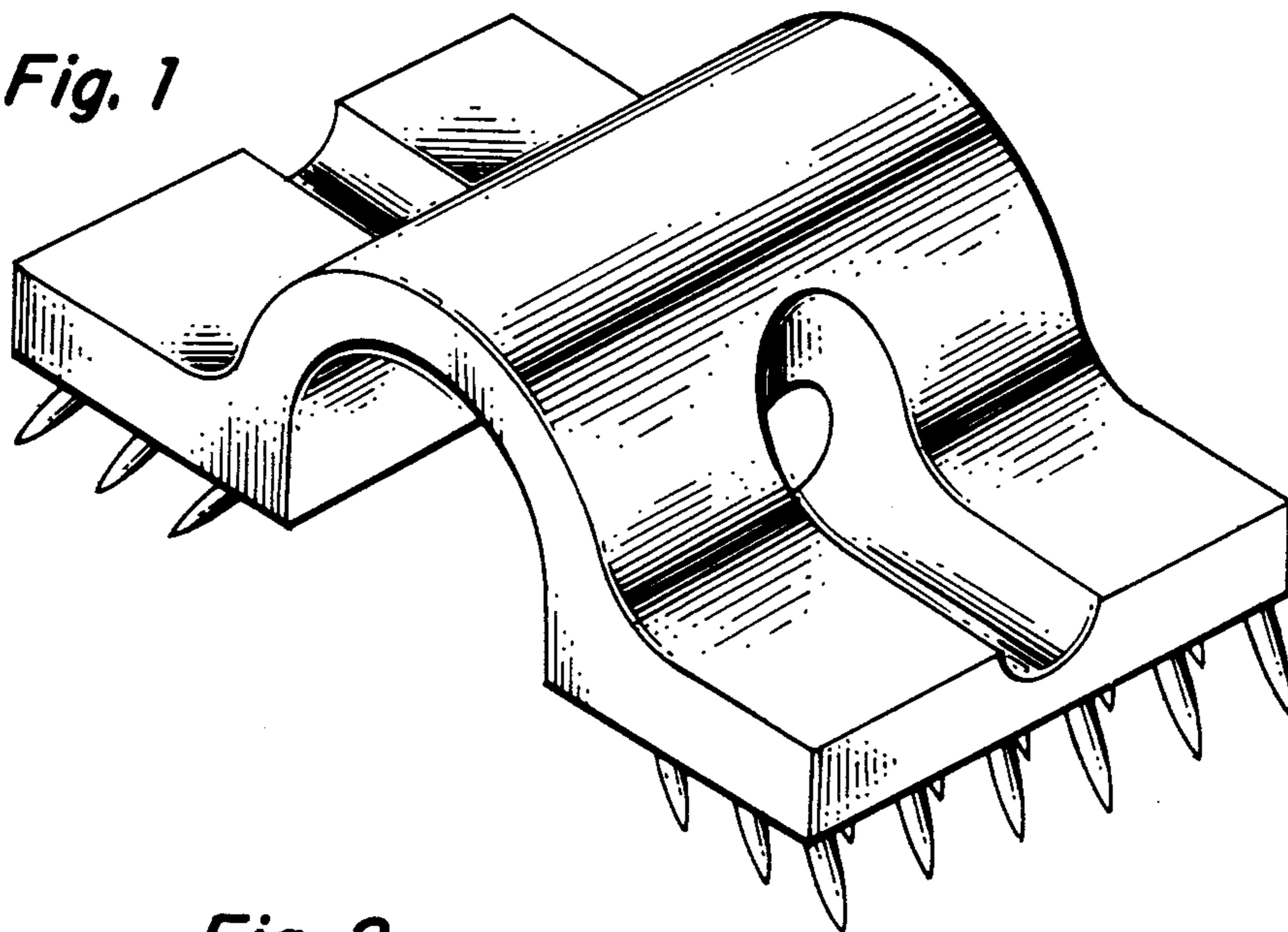
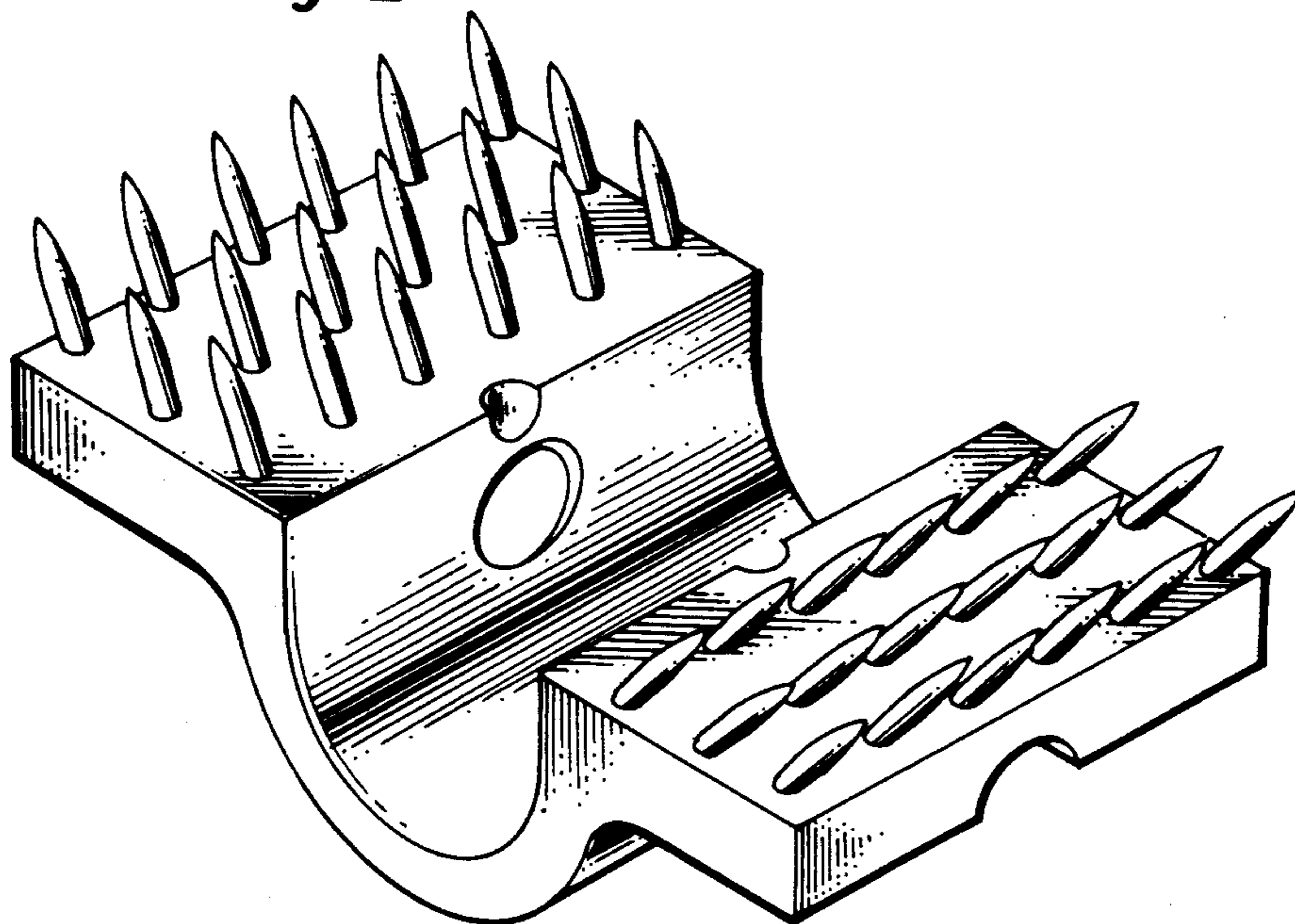


Fig. 2



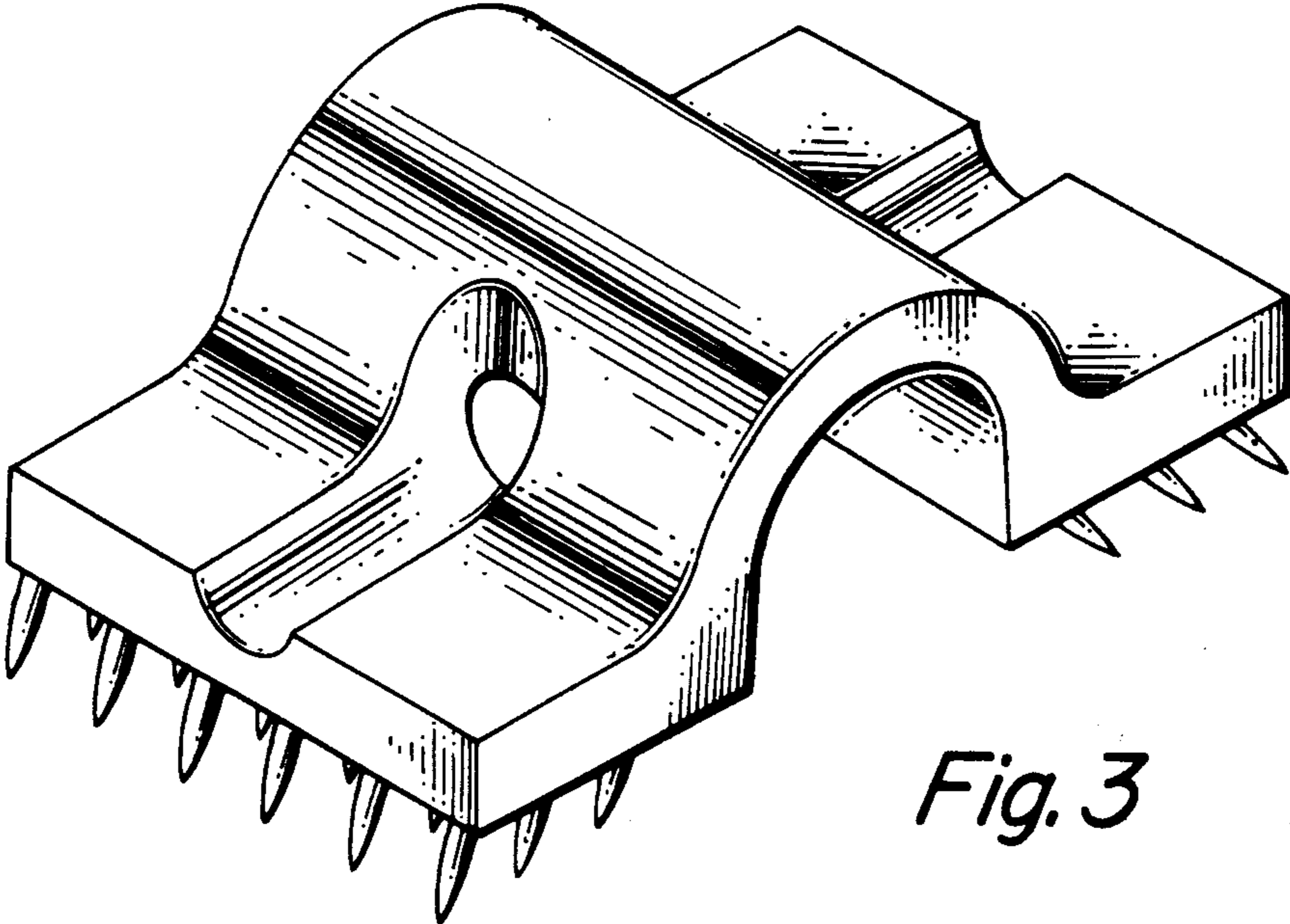


Fig. 3