

[54] CARPET INSTALLING TOOL

[76] Inventors: Patrick W. Finucane, 287 Rosalie La., Palatine, Ill. 60067; William A. Malvasio, 608 S. Browns Lake Dr., Burlington, Wis. 52105

[\*\*] Term: 14 Years

[21] Appl. No.: 875,248

[22] Filed: Feb. 6, 1978

[51] Int. Cl. .... D08-05

[52] U.S. Cl. .... D8/15; 254/57; 294/8.6

[58] Field of Search .... D8/15; 254/57-63; 294/8.6

[56] References Cited

U.S. PATENT DOCUMENTS

D. 245,665 9/1977 Klingensmith ..... D8/15  
3,572,800 3/1971 Graziano ..... 254/57

FOREIGN PATENT DOCUMENTS

1186445 4/1970 United Kingdom ..... 254/57

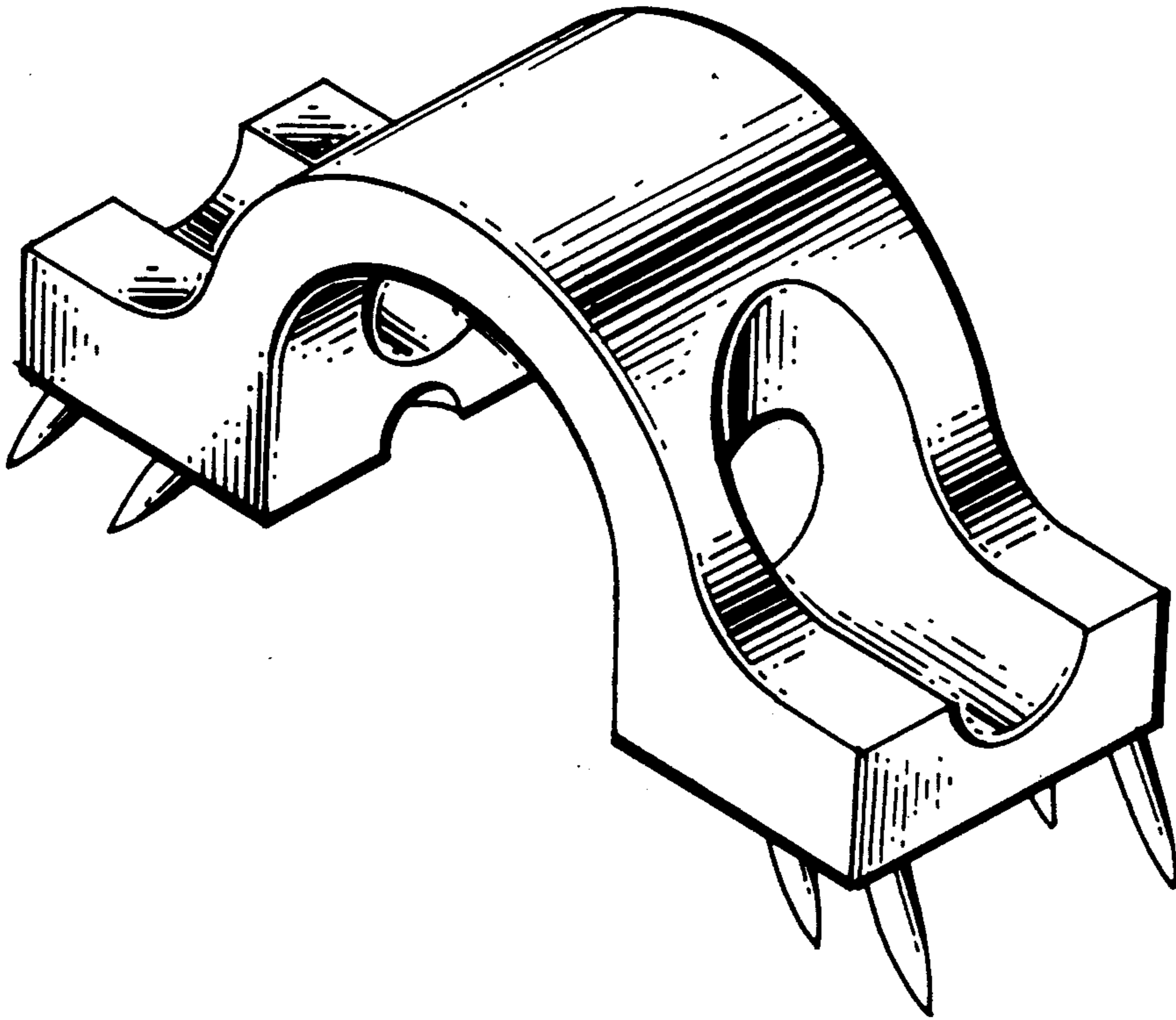
Primary Examiner—W. Stallard  
Attorney, Agent, or Firm—Jacque L. Meister

[57] CLAIM

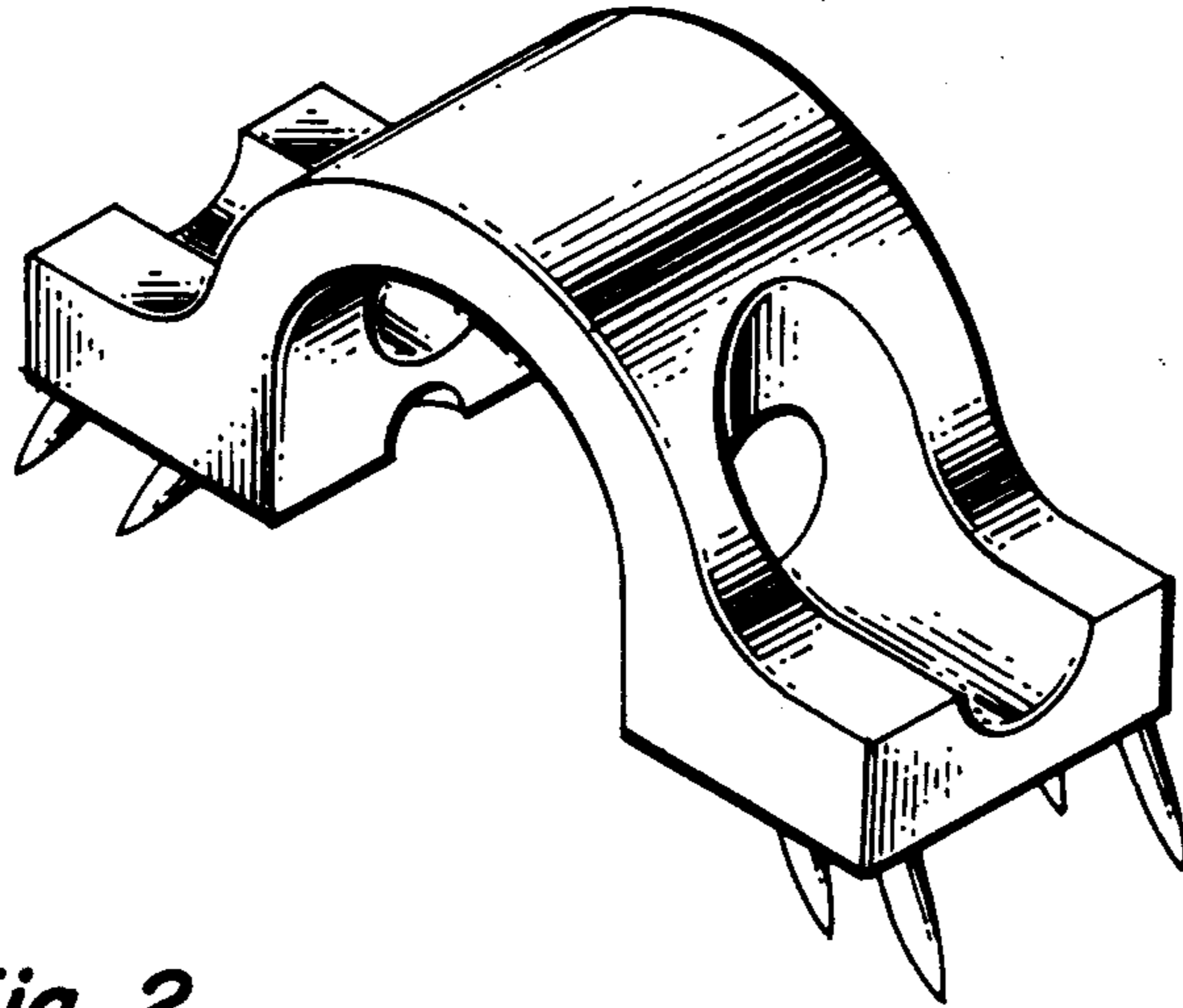
The ornamental design for a carpet installing tool, substantially as shown.

DESCRIPTION

FIG. 1 is top front perspective view of the carpet installing tool showing our new design; FIG. 2 is a bottom perspective view thereof; and FIG. 3 is a rear top perspective view thereof.



*Fig. 1*



*Fig. 2*

