

[54] ROTARY CLOTHES HOIST

[75] Inventor: Terence D. Seabrook, Edwardstown, Australia

[73] Assignee: Hills Industries Limited, Edwardstown, Australia

[\*\*] Term: 14 Years

[21] Appl. No.: 695,642

[22] Filed: Jun. 14, 1976

[30] Foreign Application Priority Data

Mar. 5, 1976 [AU] Australia ..... 68743/76

[51] Int. Cl. .... D7-05

[52] U.S. Cl. .... D7/196

[58] Field of Search ..... D7/196; D88/3 R, 3 A; 211/13, 86, 163, 164, 165, 166, 167, 168, 175, 197

[56] References Cited

U.S. PATENT DOCUMENTS

2,474,922	7/1949	Unwin .....	211/167
2,747,749	5/1956	Shore et al. ....	211/167 X
3,163,297	12/1964	Raynor .....	211/197
3,194,409	7/1965	Midouhas .....	211/197

FOREIGN PATENT DOCUMENTS

2310452	10/1974	Fed. Rep. of Germany .....	211/197
---------	---------	----------------------------	---------

Primary Examiner—Wallace R. Burke  
Assistant Examiner—Catherine Kemper  
Attorney, Agent, or Firm—Norbert P. Holler

[57] CLAIM

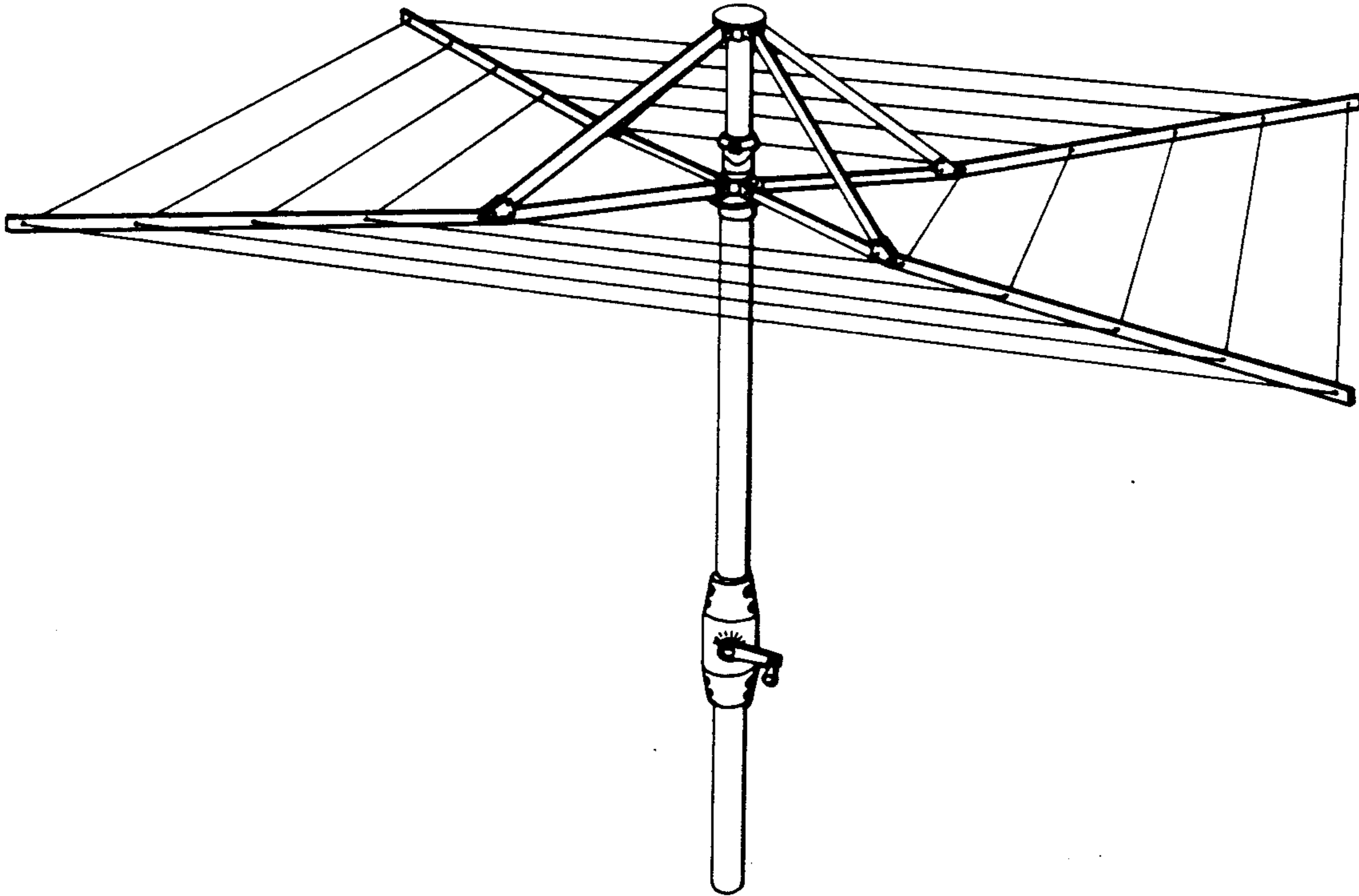
The ornamental design for a rotary clothes hoist, substantially as shown and described.

DESCRIPTION

FIG. 1 is a perspective view of a rotary clothes hoist with its arms in the extended position showing my new design;

FIG. 2 is a view of the rotary clothes hoist shown in FIG. 1 in a partially collapsed condition.

FIG. 3 is a view of the rotary clothes hoist shown in FIG. 1 in a fully collapsed condition.



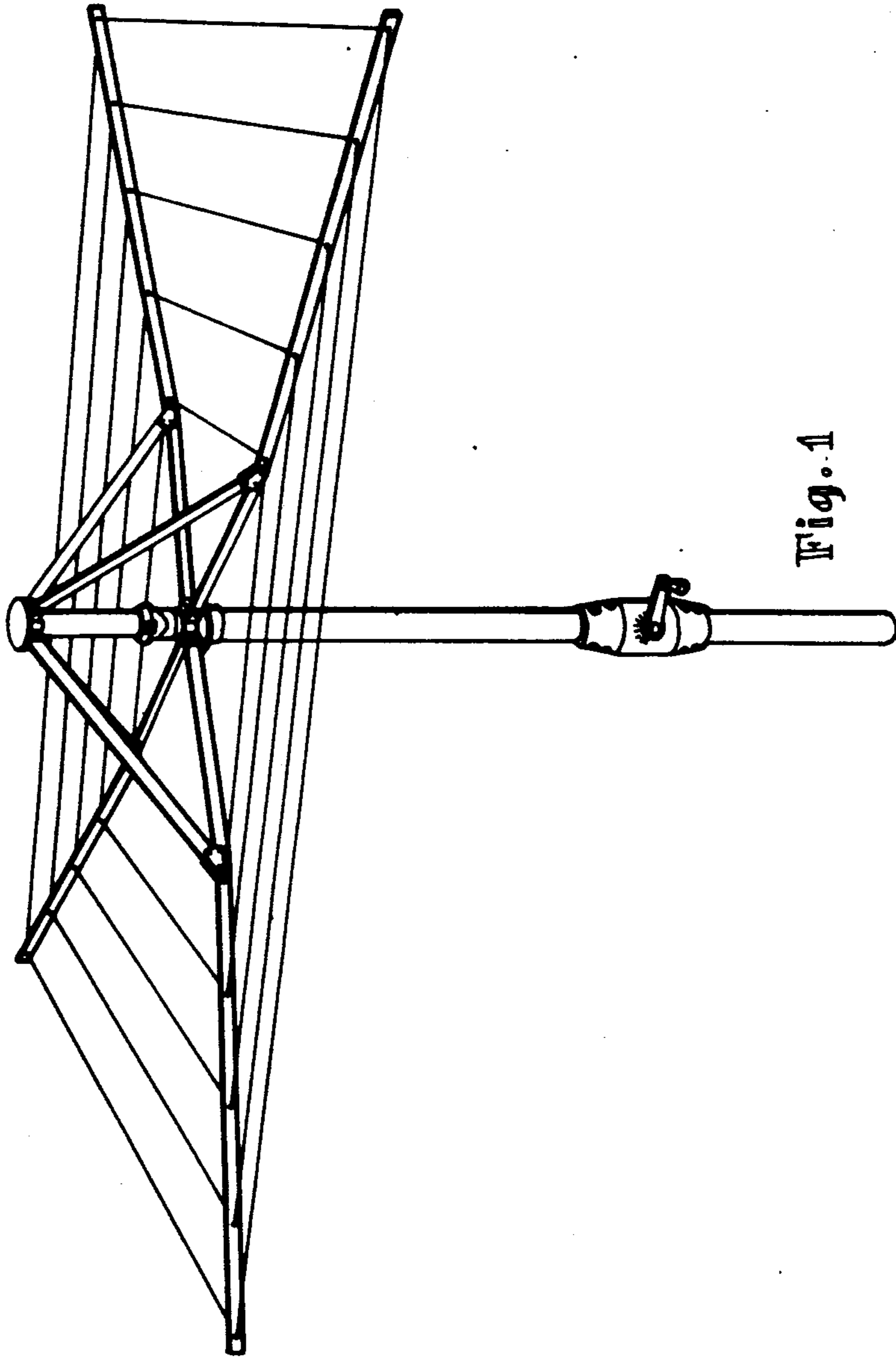


Fig. 1

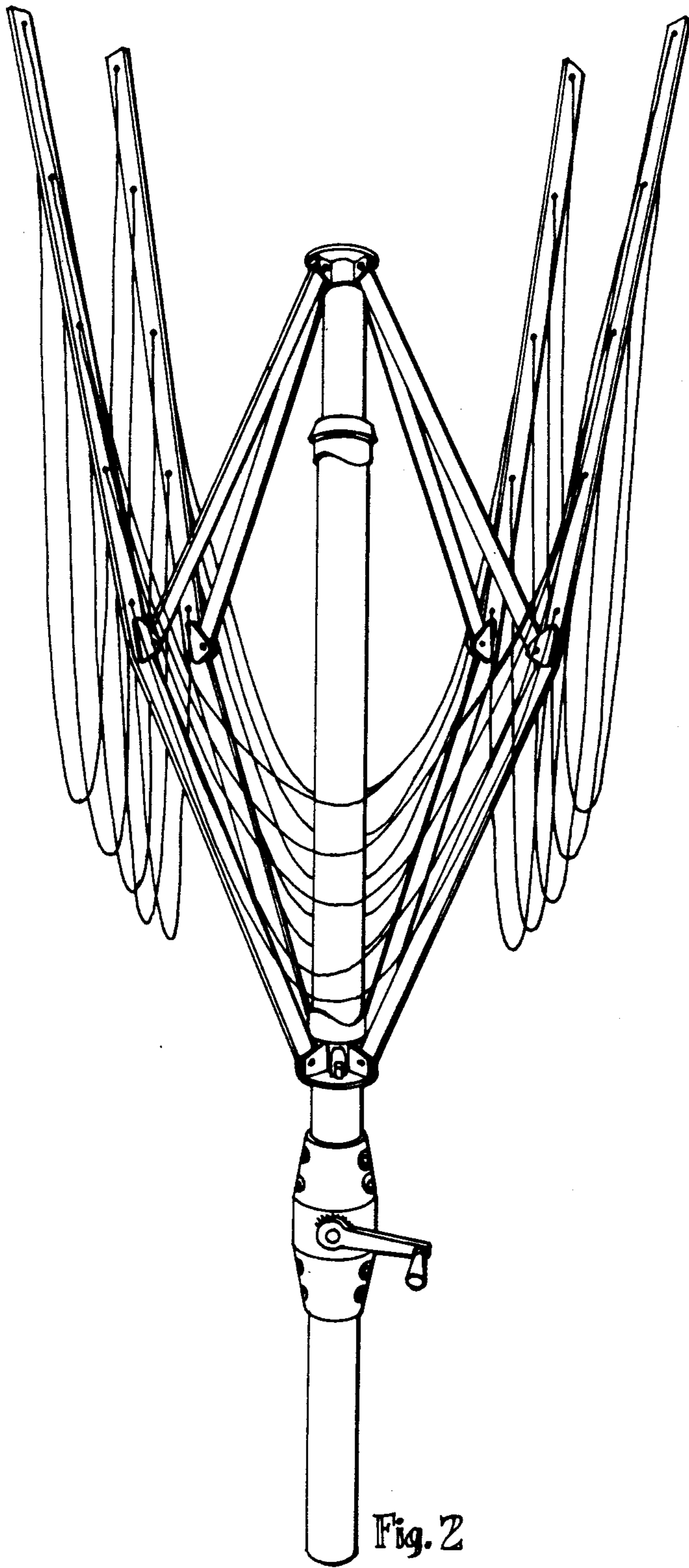


Fig. 2

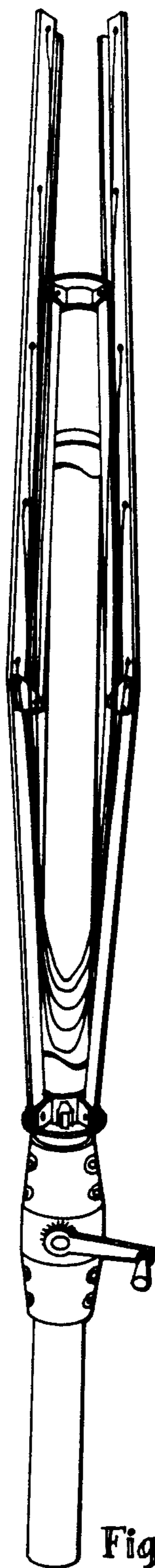


Fig. 3