

[54] TOWEL BAR

[75] Inventor: Raymond U. H. Tegner, Lodi, Wis.
[73] Assignee: Amerock Corporation, Rockford, Ill.
[**] Term: 14 Years
[21] Appl. No.: 841,544
[22] Filed: Oct. 12, 1977

[51] Int. Cl. D23-02
[52] U.S. Cl. D6/99
[58] Field of Search D6/86-94,
D6/96-103, 113, 114; 108/29-31, 42, 152;
211/16, 87, 88, 105.1, 123

[56] References Cited

U.S. PATENT DOCUMENTS

D. 190,161	4/1961	Hillgren	D6/99
D. 240,179	6/1976	Vrignaud	D6/99
2,825,469	3/1958	Watkins et al.	211/123

OTHER PUBLICATIONS

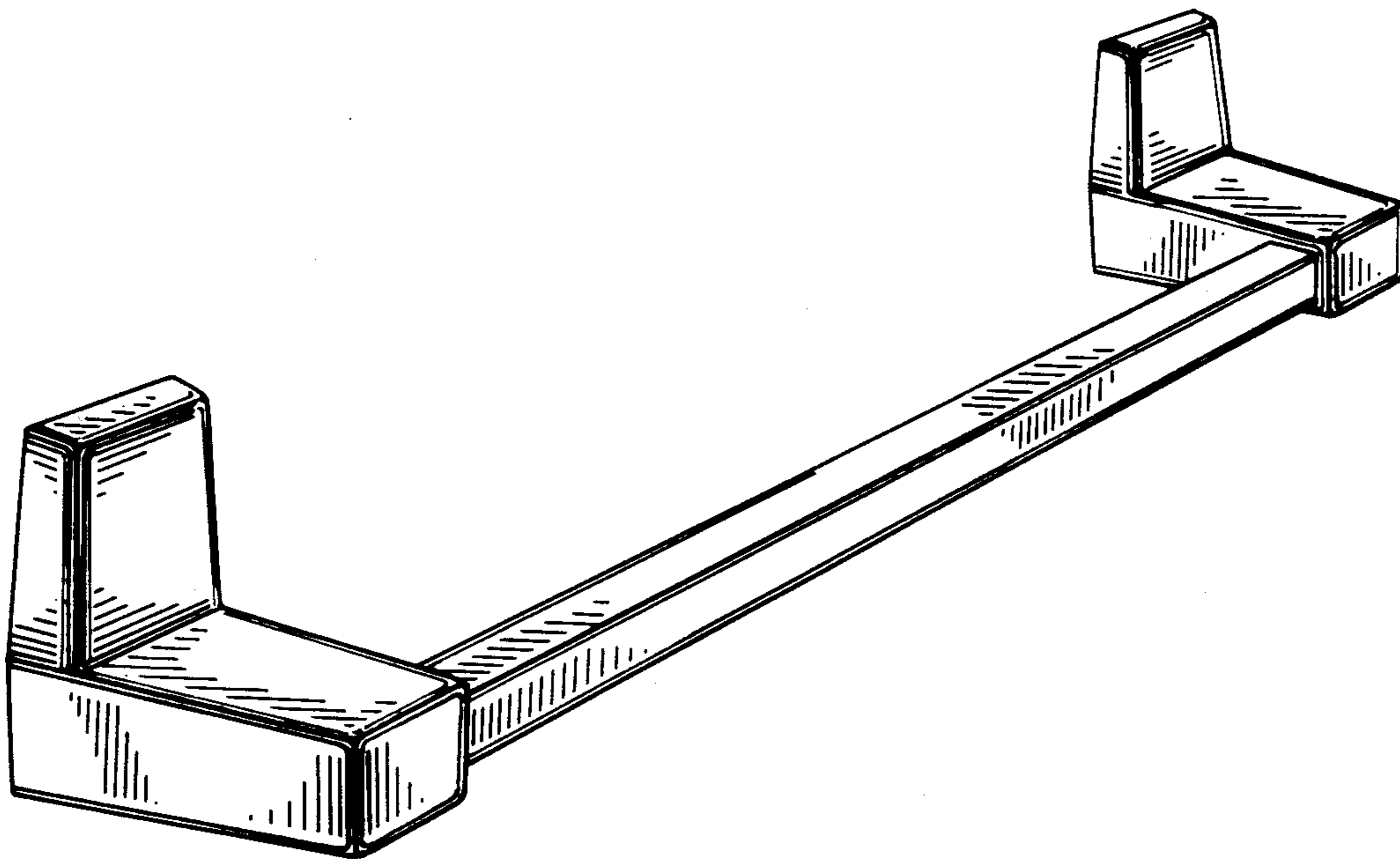
Allibert GmbH Catalog, p. 9, Bath Towel Bar A78.
Primary Examiner—Wallace R. Burke
Assistant Examiner—B. J. Bullock
Attorney, Agent, or Firm—C. Frederick Leydig

[57] CLAIM

The ornamental design for a towel bar, as shown and described.

DESCRIPTION

FIG. 1 is a perspective view of a towel bar incorporating my new design.
FIG. 2 is an enlarged fragmentary top plan view thereof;
FIG. 3 is an enlarged fragmentary front elevational view thereof;
FIG. 4 is an enlarged side view as seen from the upper right in FIG. 1, the other side being identical.
The rear and bottom surfaces of the towel bar are planar and unornamented.



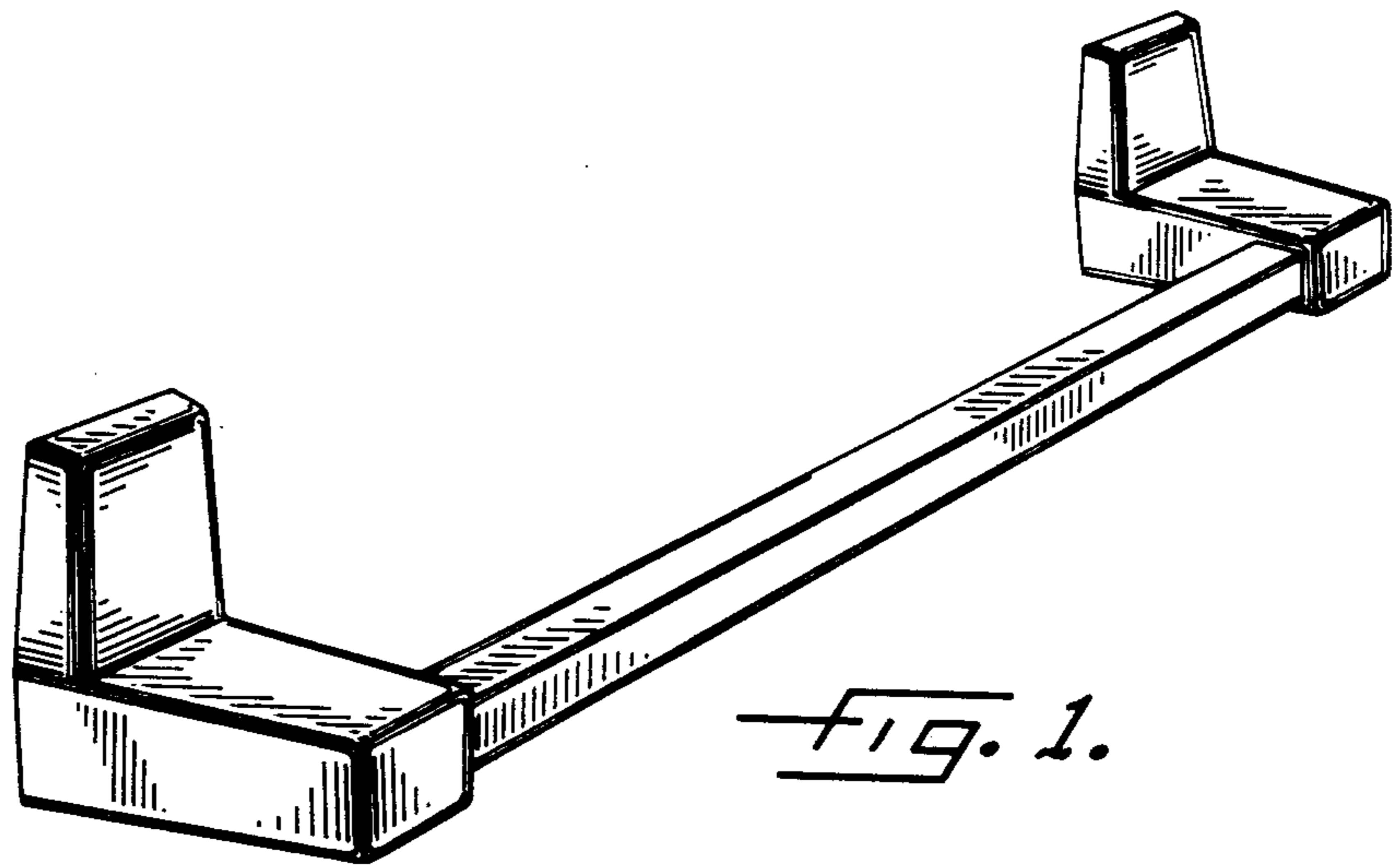


FIG. 1.

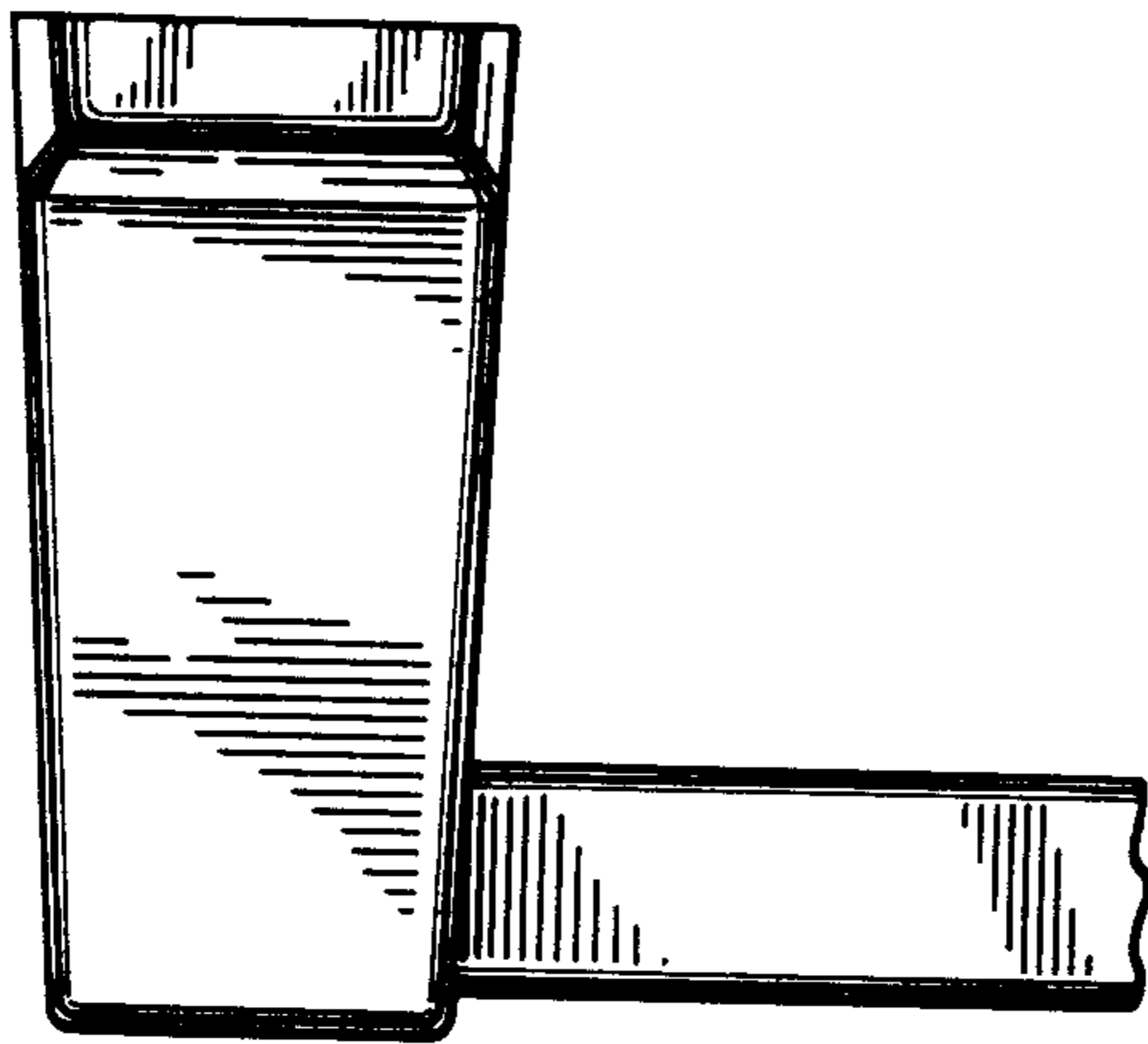


FIG. 2.

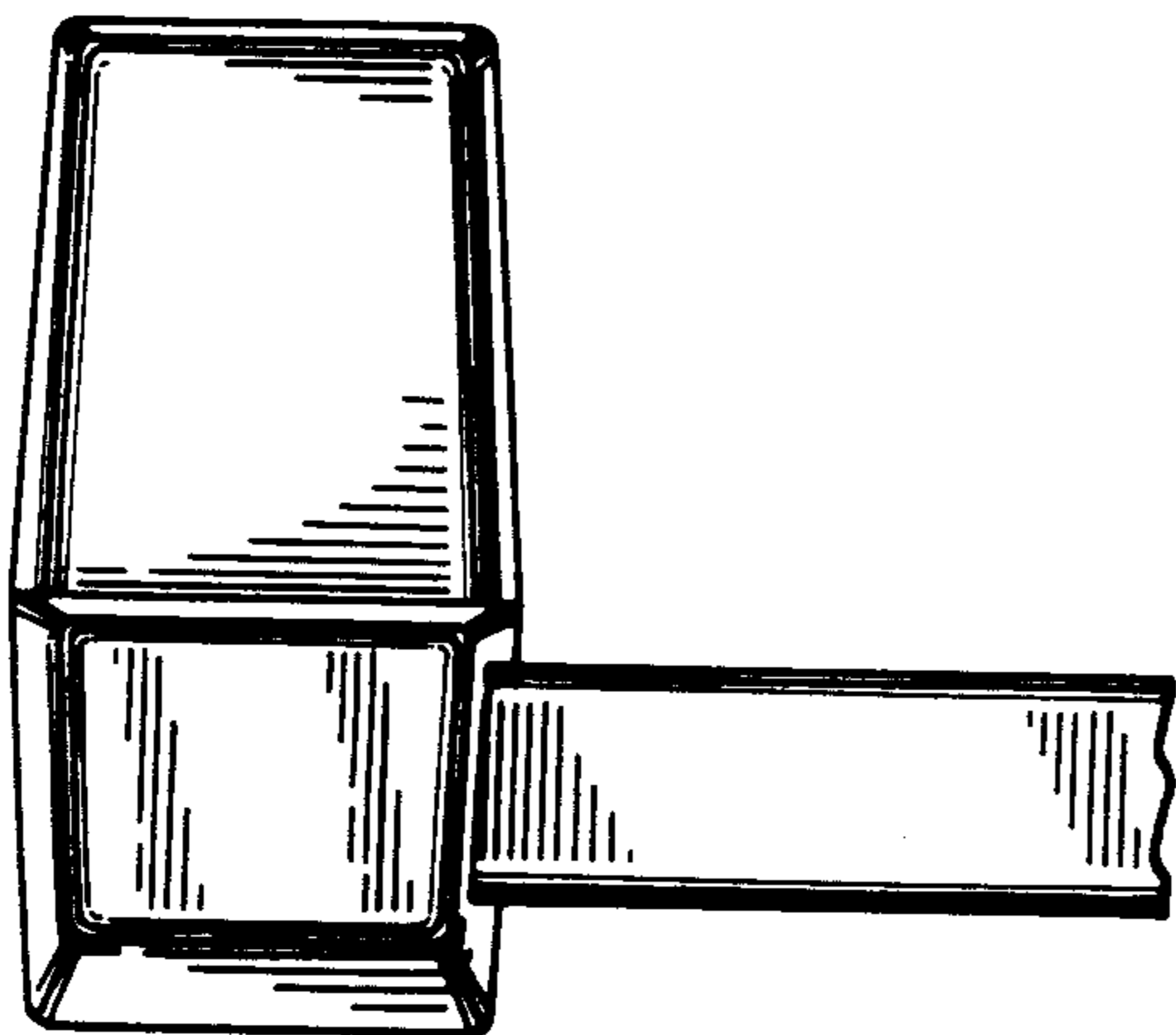


FIG. 3.

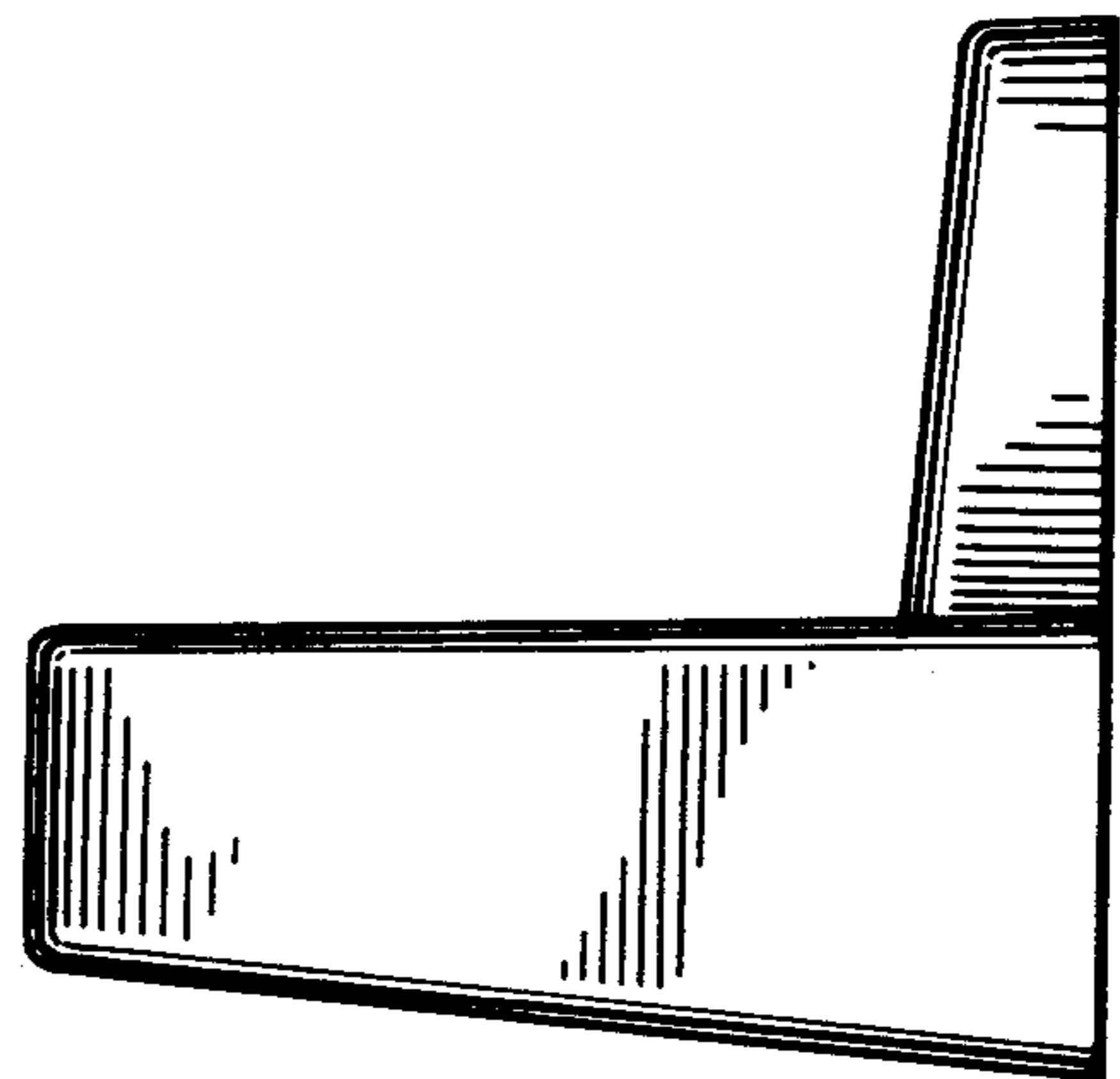


FIG. 4.