

[54] SHELTER

[76] Inventor: Richard Dattner, 180 Cabrini Blvd., New York, N.Y. 10033

[**] Term: 14 Years

[21] Appl. No.: 869,202

[22] Filed: Jan. 13, 1978

[51] Int. Cl. D25-99

[52] U.S. Cl. D25/18; D25/56

[58] Field of Search D25/1, 16, 18, 56

[56] References Cited

U.S. PATENT DOCUMENTS

D. 185,579	6/1959	Sklar	D25/18
D. 198,565	7/1964	Cooper	D25/18
D. 227,457	6/1973	Skaroff	D25/16 X
D. 248,776	8/1978	Kinnebrew	D25/18 X
2,193,469	3/1940	Ashton	D25/18 X

OTHER PUBLICATIONS

Design, Sep. 1976, p. 51, FIGS. 8 & 9.

Primary Examiner—A. Hugo Word
Attorney, Agent, or Firm—Alex Friedman

[57] CLAIM

The ornamental design for a shelter, as shown and described.

DESCRIPTION

FIG. 1 is a perspective view of a shelter showing my new design;

FIG. 2 is a side elevational view thereof;

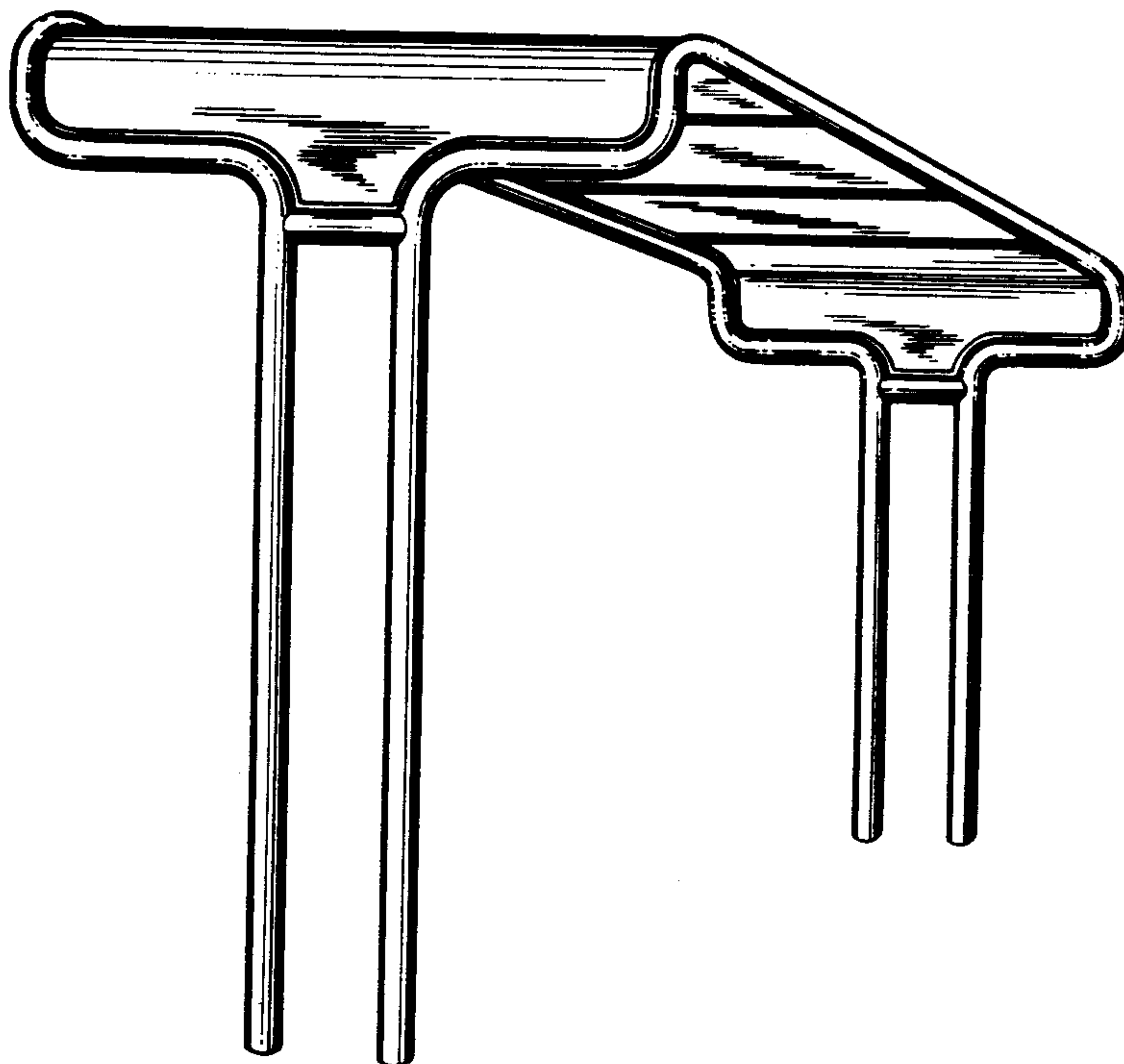
FIG. 3 is a top plan view thereof;

FIG. 4 is a rear elevational view thereof;

FIG. 5 is a bottom plan view thereof;

FIG. 6 is a perspective view of a modified form of the shelter of FIG. 1; and

FIG. 7 is a perspective view of a further modified form of the shelter of FIG. 1.



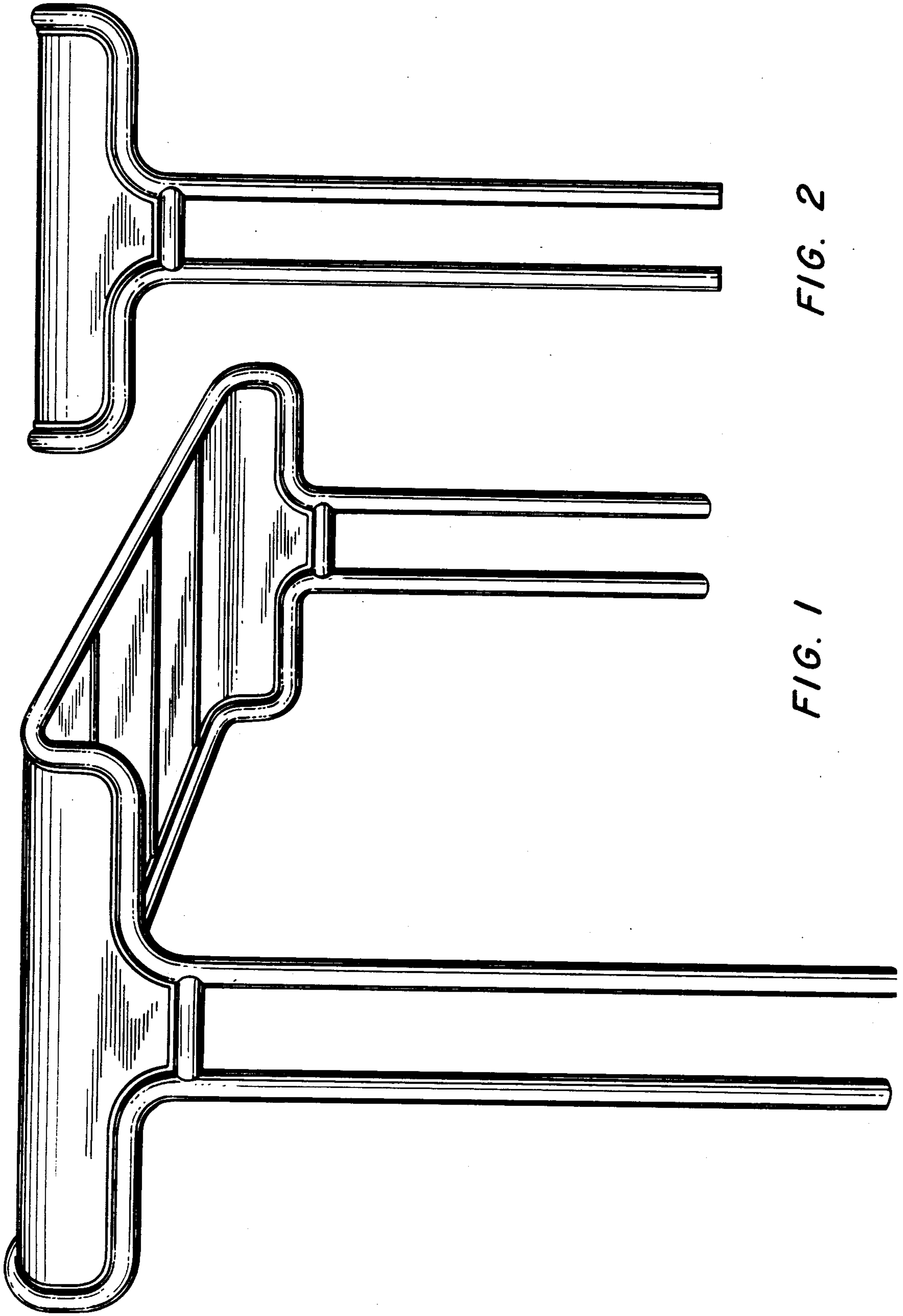


FIG. 1

FIG. 2

FIG. 3

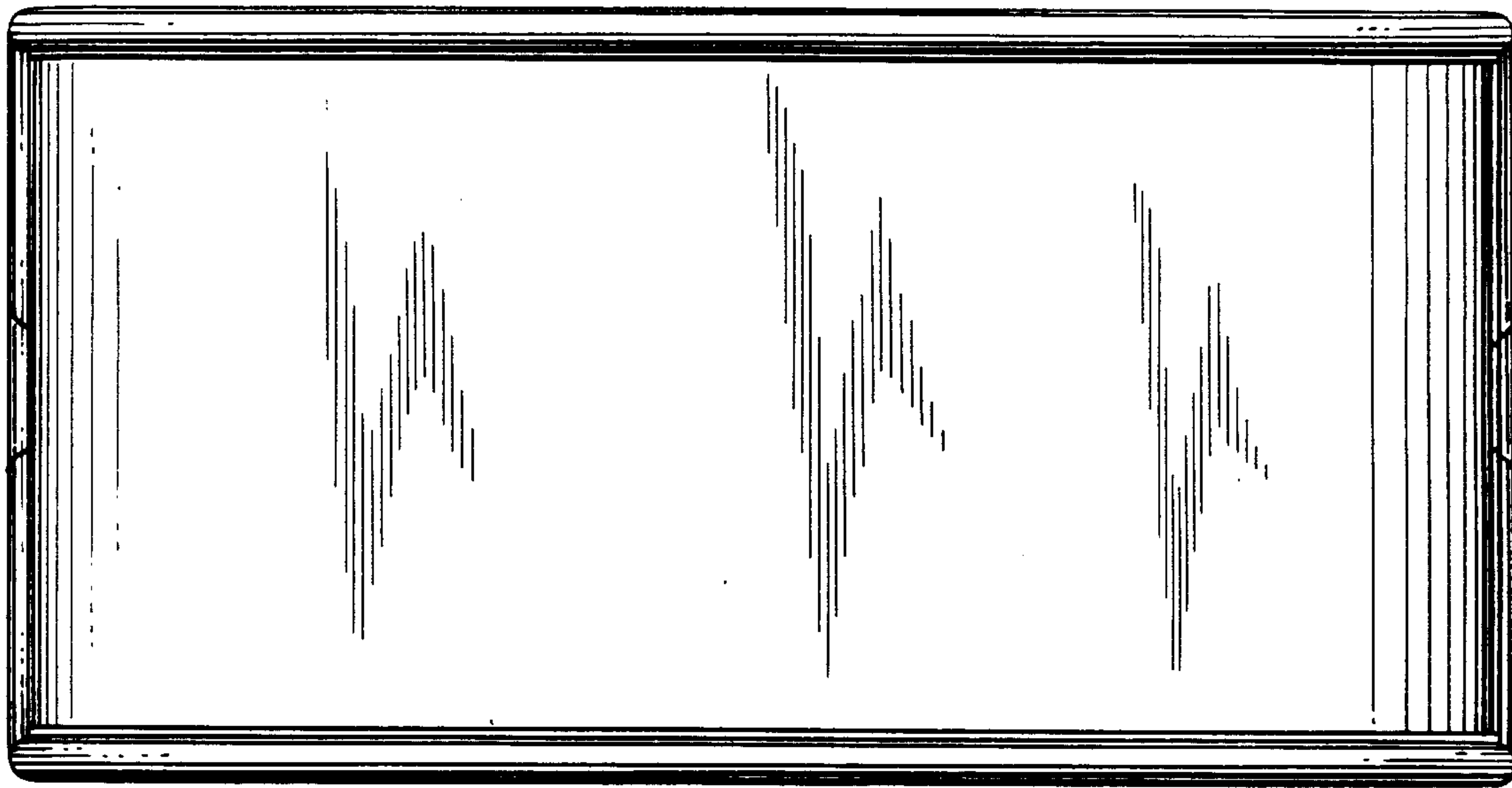
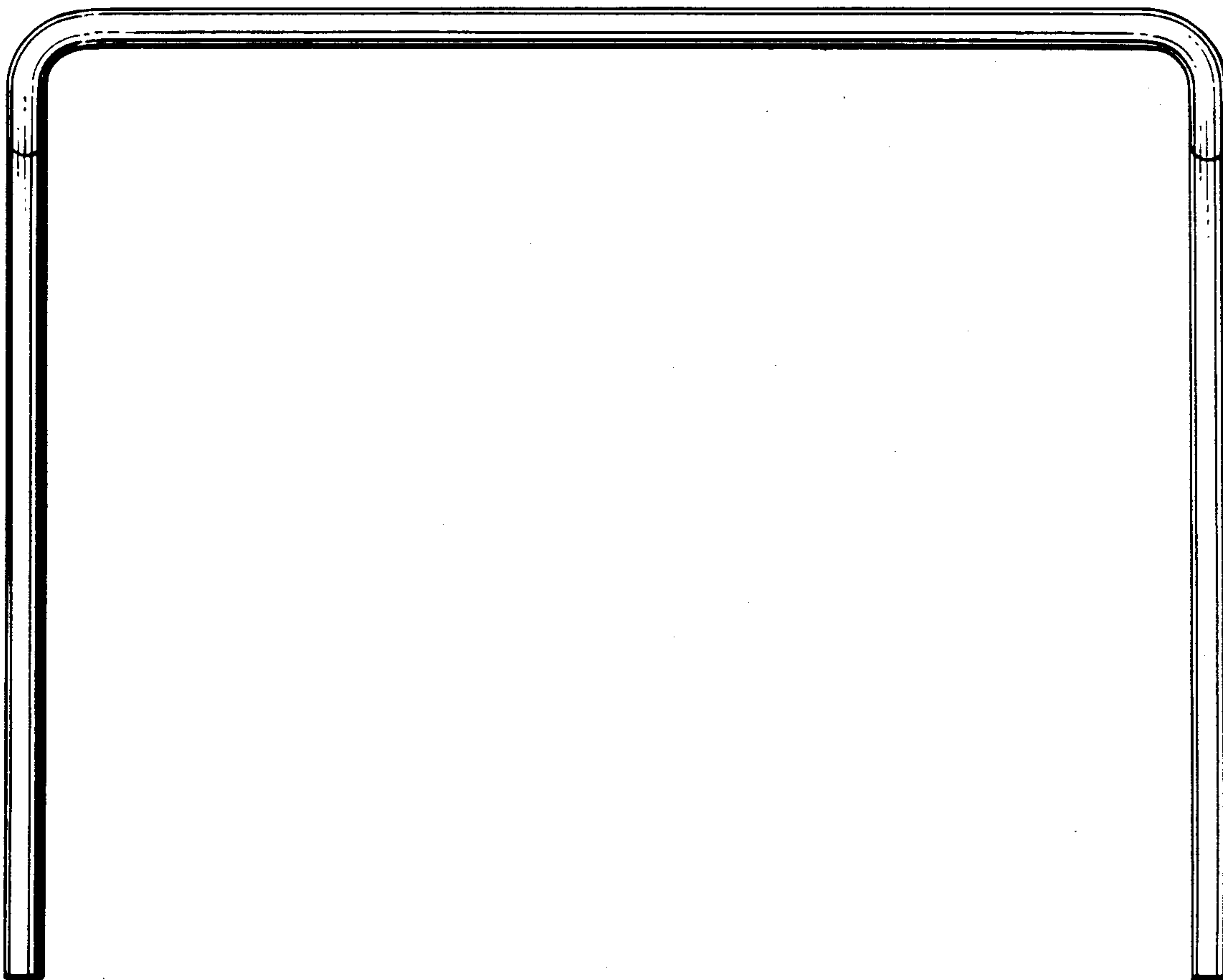


FIG. 4



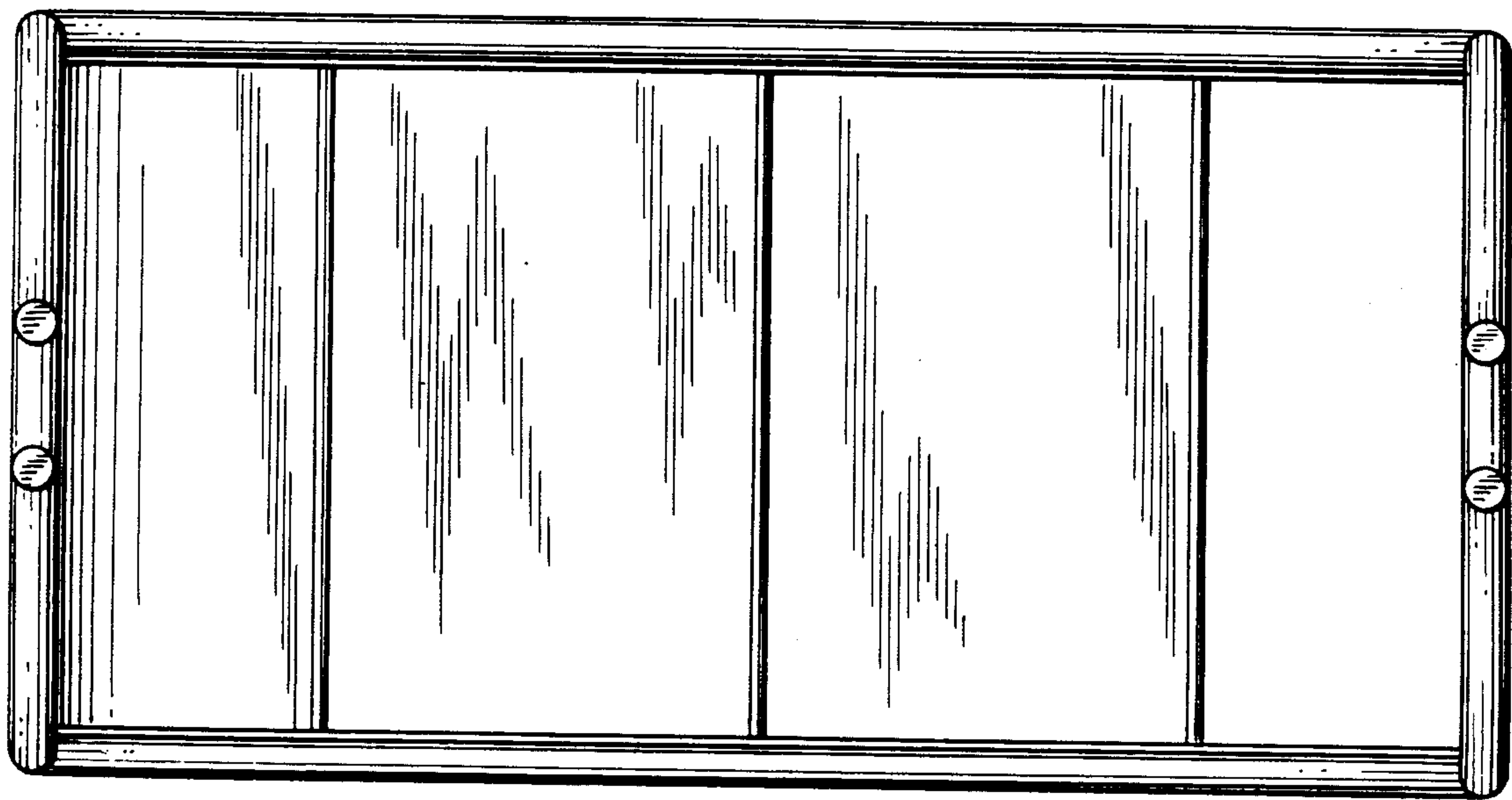


FIG. 5

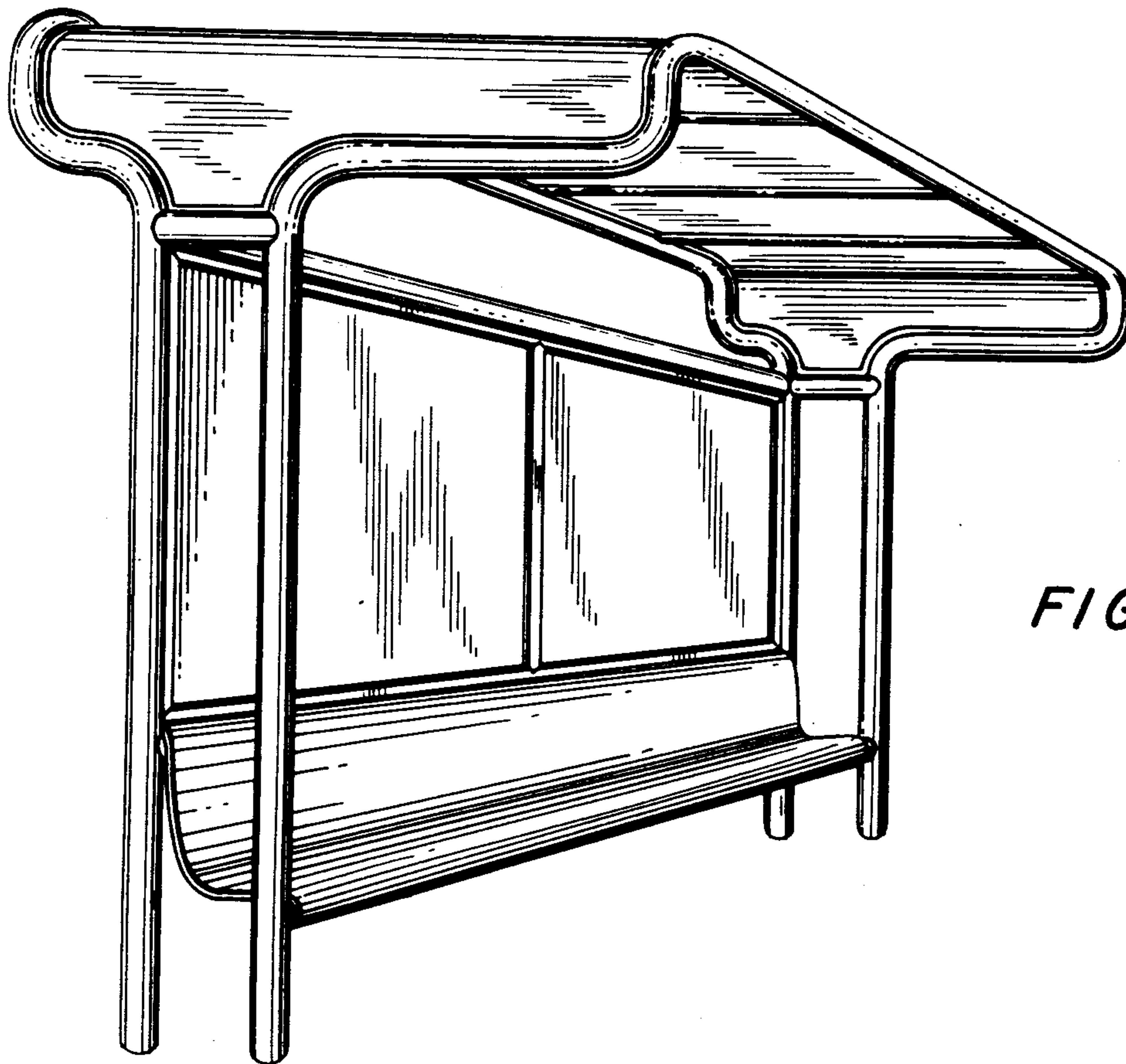


FIG. 7

FIG. 6

