

[54] PEAK EXPIRATORY FLOW METER OR SIMILAR ARTICLE

[75] Inventor: Jim M. Adams, Mt. Pleasant, S.C.

[73] Assignee: Projects in Health, Inc., Princeton, N.J.

[\*\*] Term: 14 Years

[21] Appl. No.: 872,699

[22] Filed: Jan. 26, 1978

[51] Int. Cl. .... D24-02

[52] U.S. Cl. .... D24/17; 128/717; 272/99

[58] Field of Search ..... 128/717; 272/99; D24/17, 99; 73/209, 211, 239

[56] References Cited

U.S. PATENT DOCUMENTS

D. 242,956	1/1977	Miller et al. ....	D24/17
3,695,608	10/1972	Hanson .....	272/99
3,908,987	9/1975	Boehringer .....	272/99
4,025,070	5/1977	McGull et al. ....	272/99

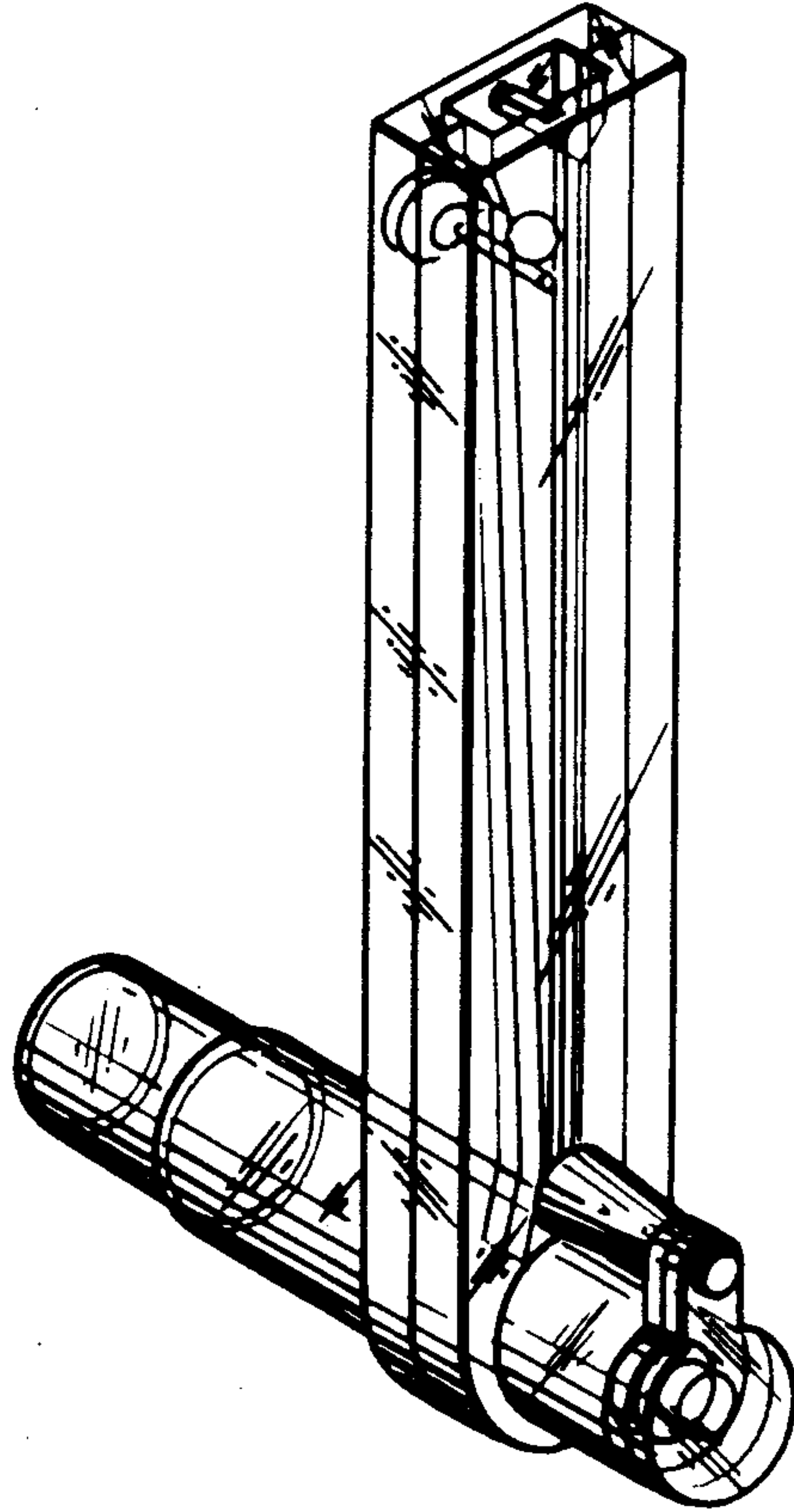
Primary Examiner—Bernard Ansher  
Attorney, Agent, or Firm—Wolder, Gross & Yavner

[57] CLAIM

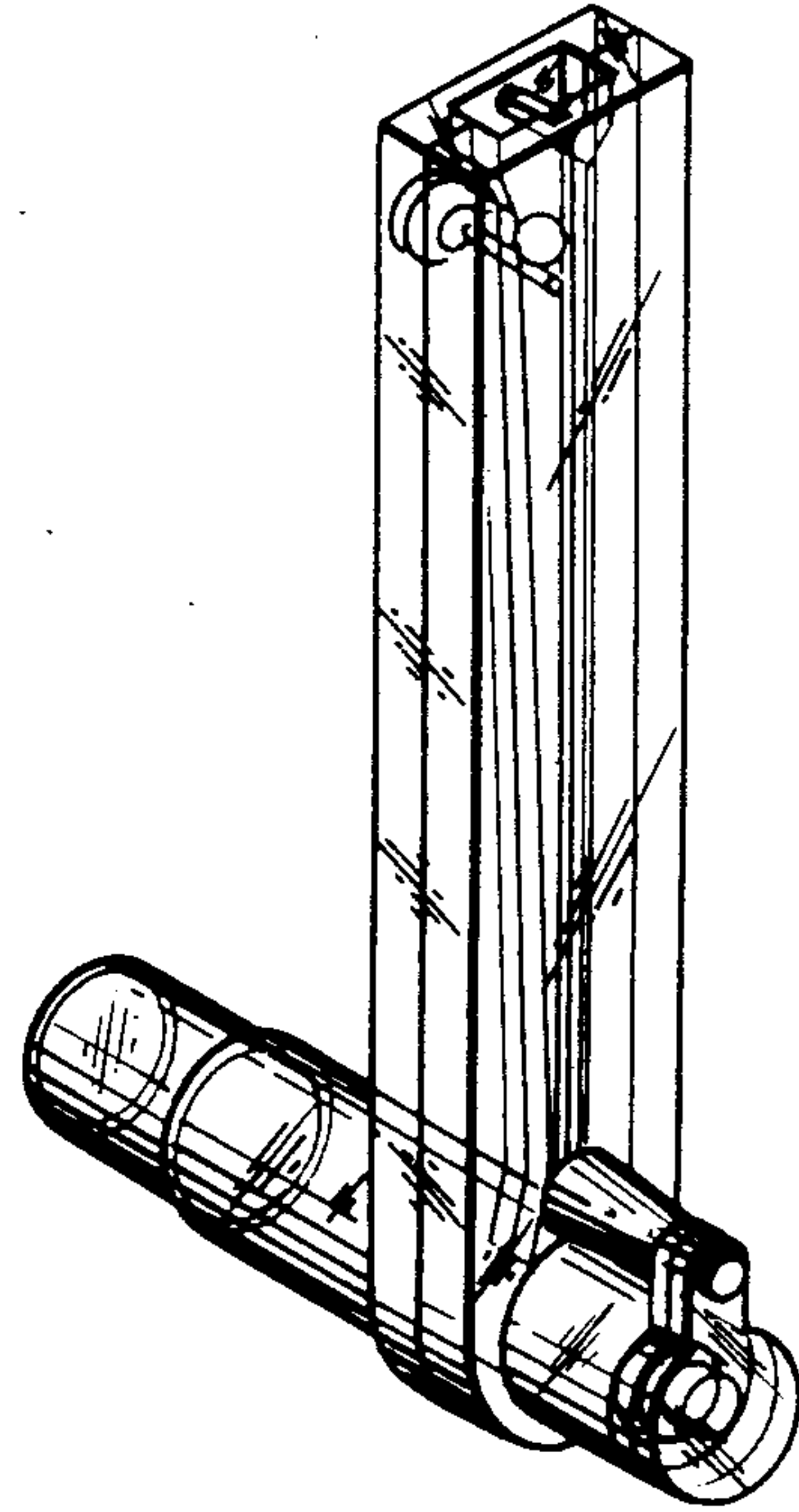
The design for a peak expiratory flow meter or similar article.

DESCRIPTION

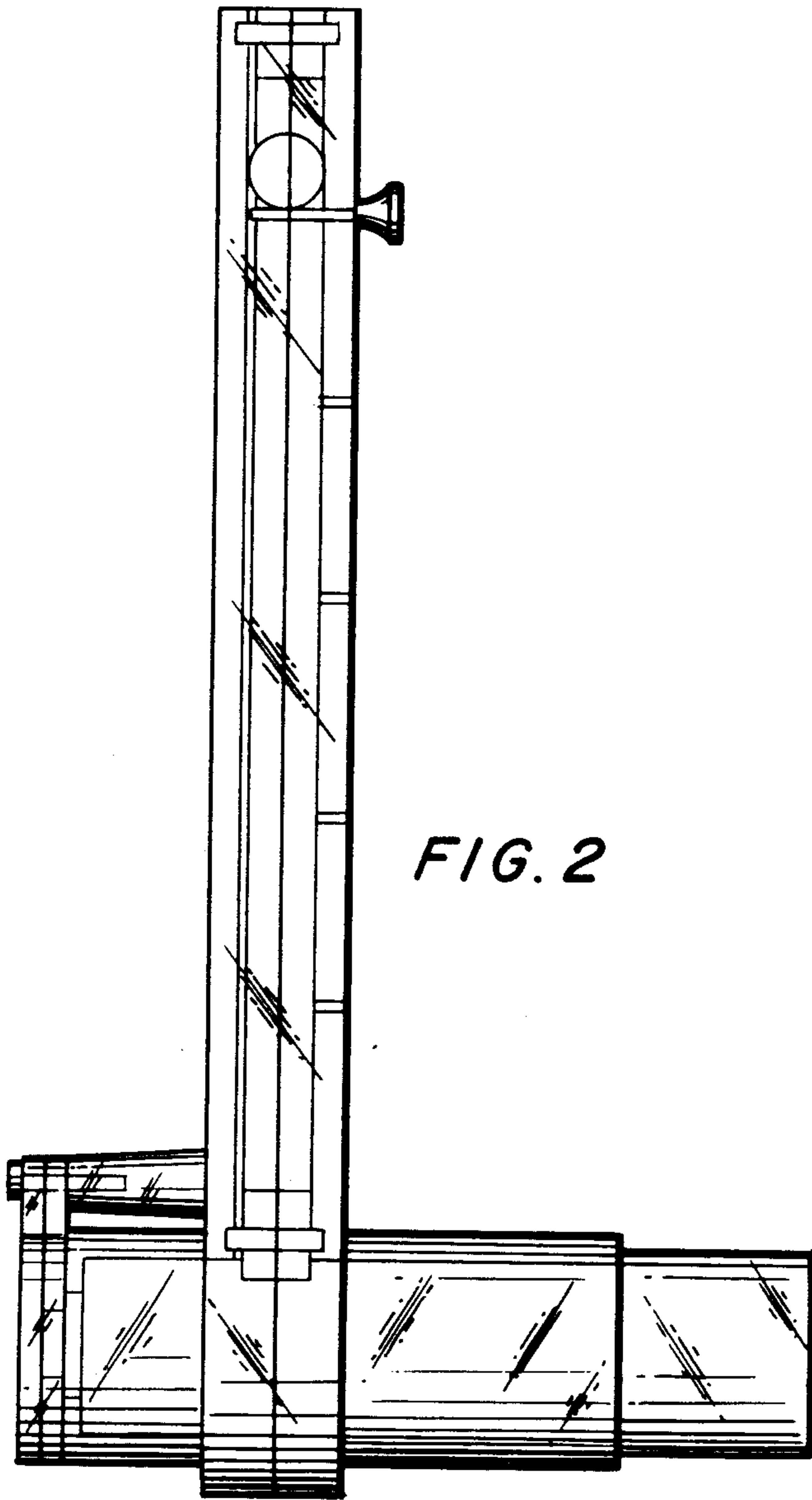
FIG. 1 is a rear perspective view of a peak expiratory flow meter embodying my new design; FIG. 2 is a side elevational view thereof; FIG. 3 is a front elevational view thereof; FIG. 4 is a top plan view thereof; and FIG. 5 is a bottom plan view thereof.



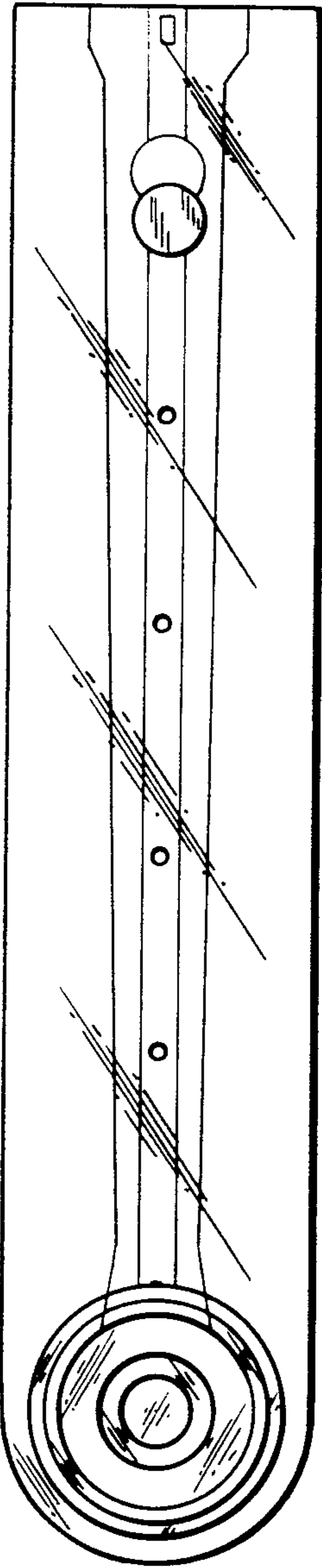
*FIG. 1*



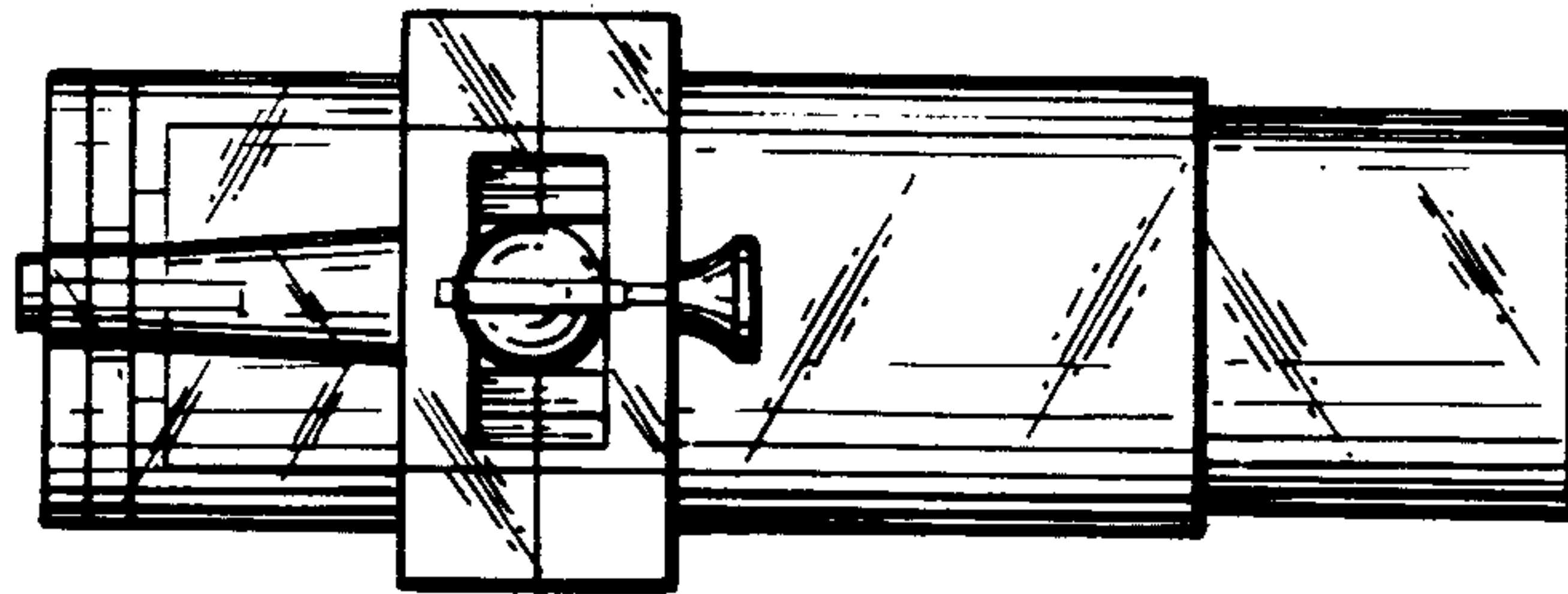
*FIG. 2*



*FIG. 3*



*FIG. 4*



*FIG. 5*

