

[54] AIR CLEANER

[76] Inventor: David P. Cervone, 89 Indianola Rd., Youngstown, Ohio 44542

[\*\*] Term: 14 Years

[21] Appl. No.: 836,548

[22] Filed: Sep. 26, 1977

[51] Int. Cl. .... D23-04

[52] U.S. Cl. .... D23/149

[58] Field of Search ..... D23/139-167; 98/33 R, 33 A, 40 N; 55/126, 385 A, 467

[56] References Cited

U.S. PATENT DOCUMENTS

D. 87,982	10/1932	Seyfried	.....	D23/155
2,808,237	10/1957	Fosnes	.....	98/33 A X
3,626,669	12/1971	Cardiff	.....	55/126

OTHER PUBLICATIONS

Electrical Merchandising, Oct. 1950, p. 195, "Fasco Industries, Inc." item.

Home Furnishings Daily, Jul. 12, 1960, p. 26, "Rivalaire Purifier" item.

Primary Examiner—James R. Largen

Attorney, Agent, or Firm—Michael Williams

[57] CLAIM

The ornamental design for an air cleaner, as shown and described.

DESCRIPTION

FIG. 1 is a front perspective view of an air cleaner showing my new design;

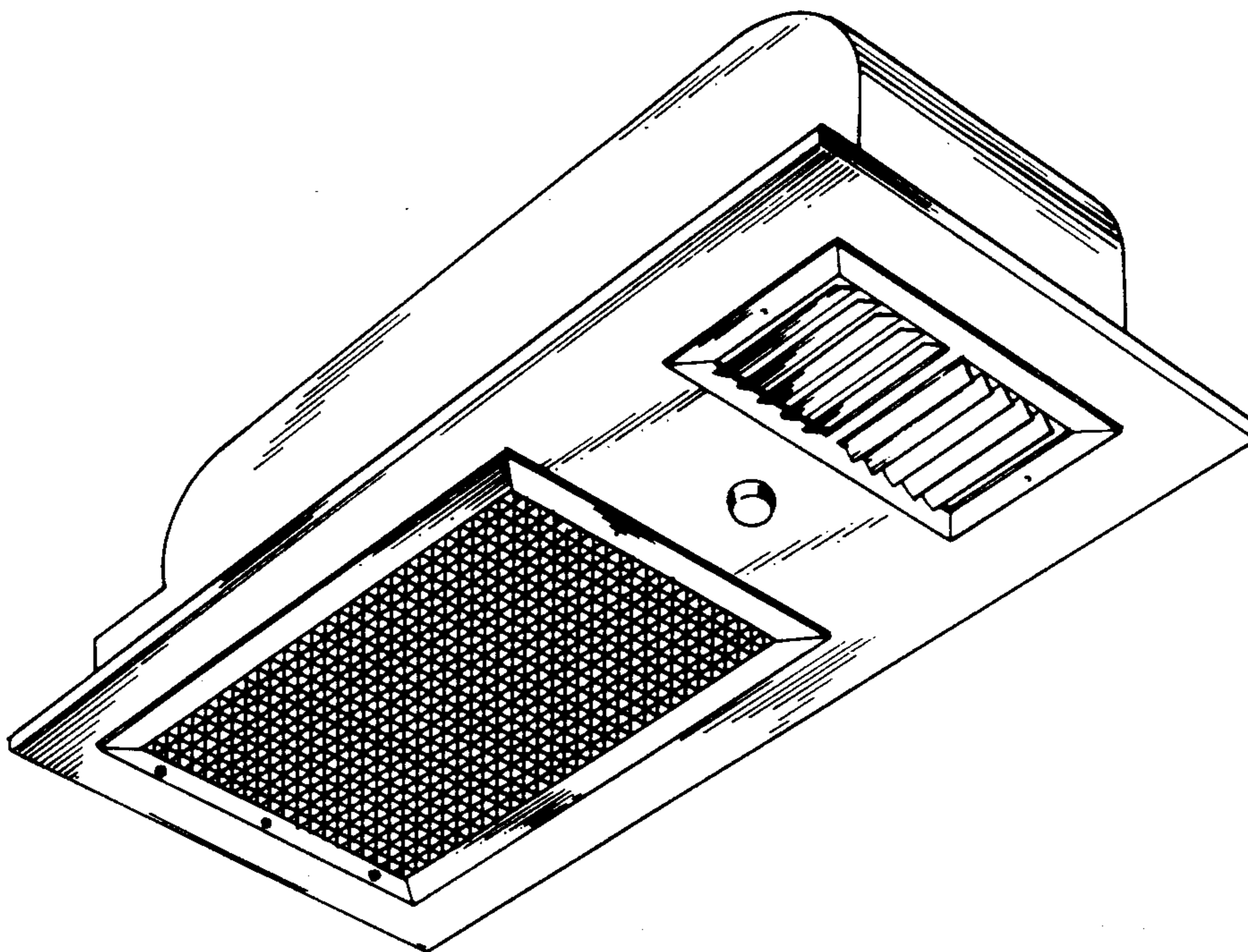
FIG. 2 is a rear perspective view thereof;

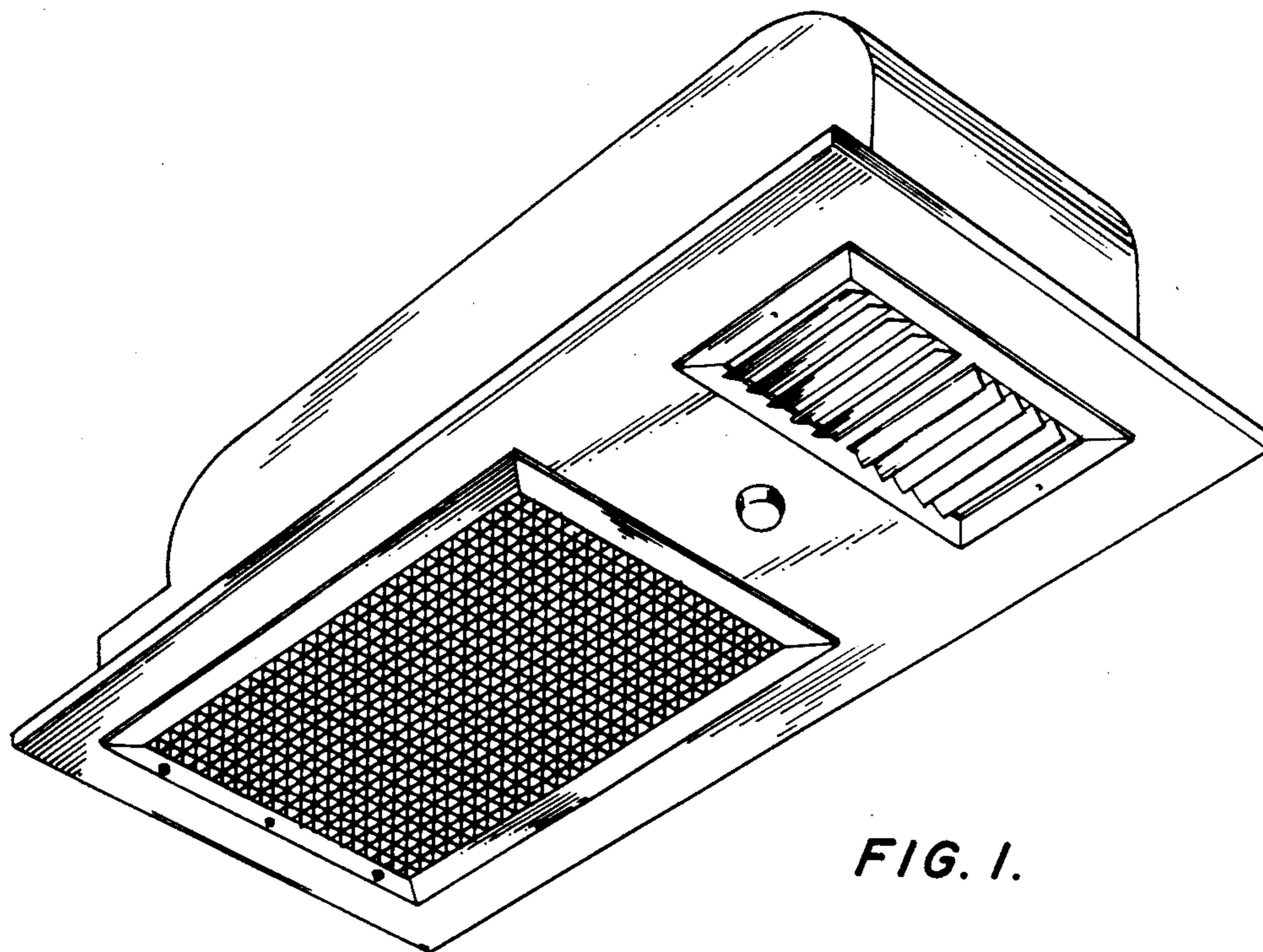
FIG. 3 is a front elevational view thereof;

FIG. 4 is a top plan view thereof, the bottom being a mirror image of the top shown;

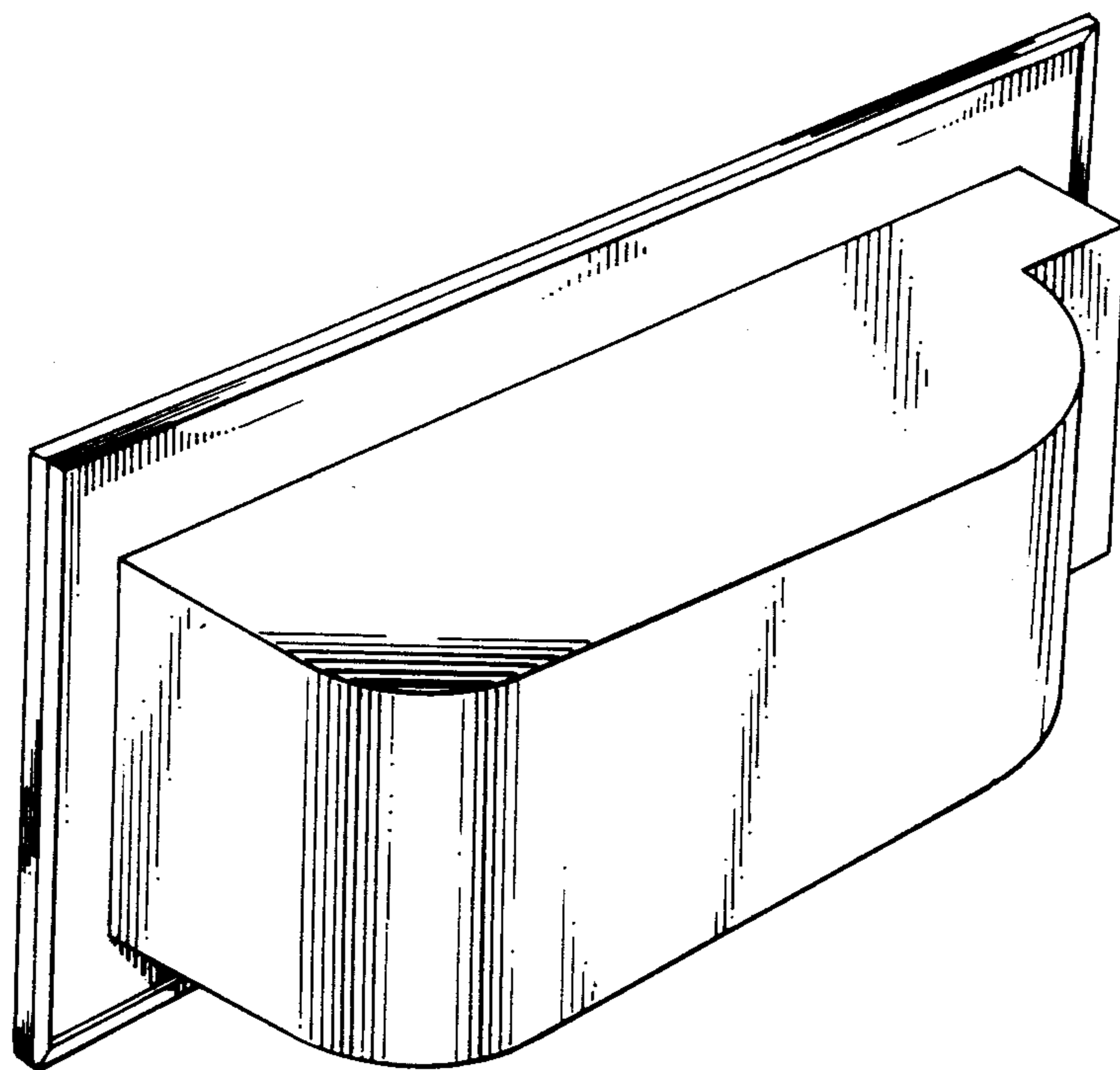
FIG. 5 is a left side elevational view thereof; and

FIG. 6 is a right side elevational view thereof.





*FIG. 1.*



*FIG. 2.*

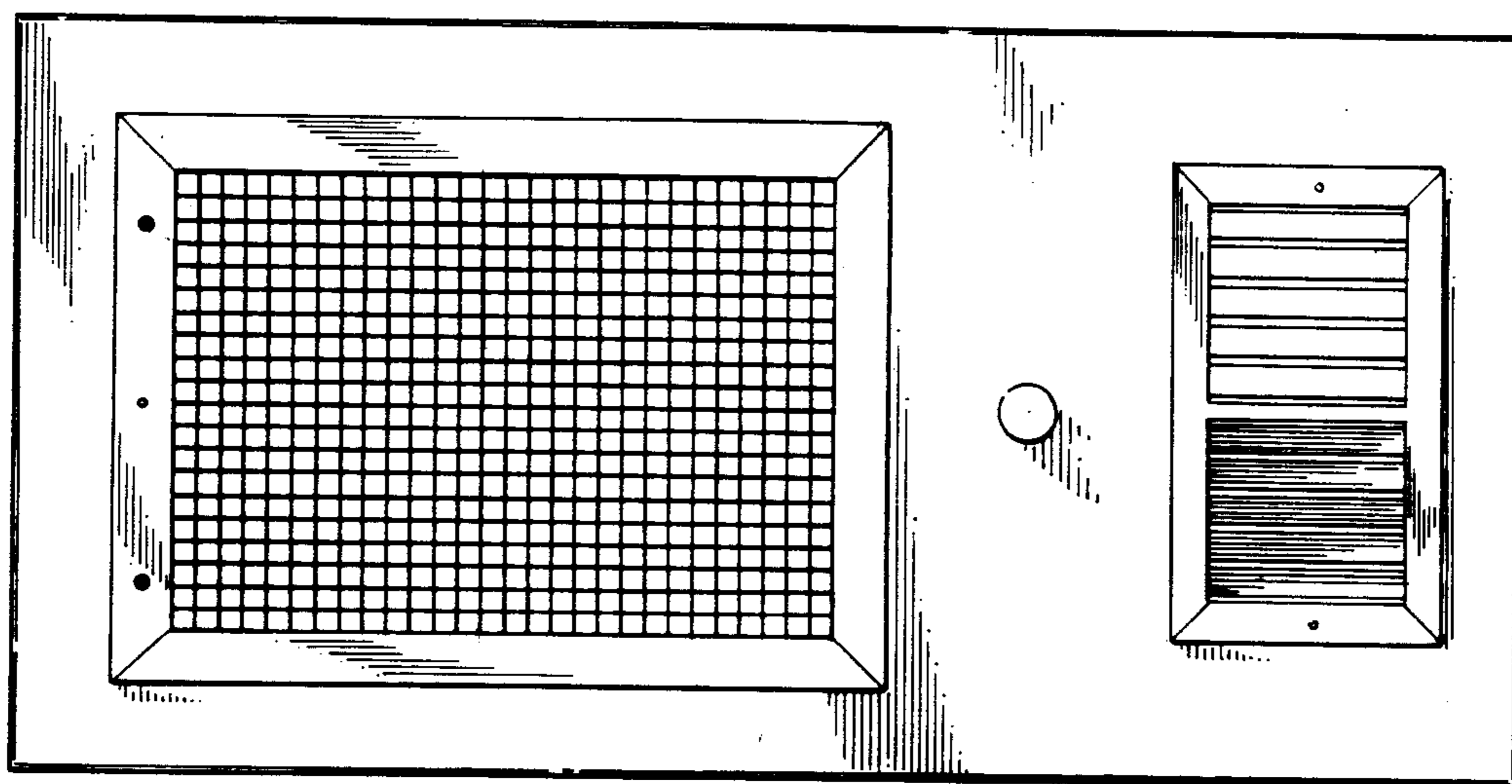


FIG. 3.

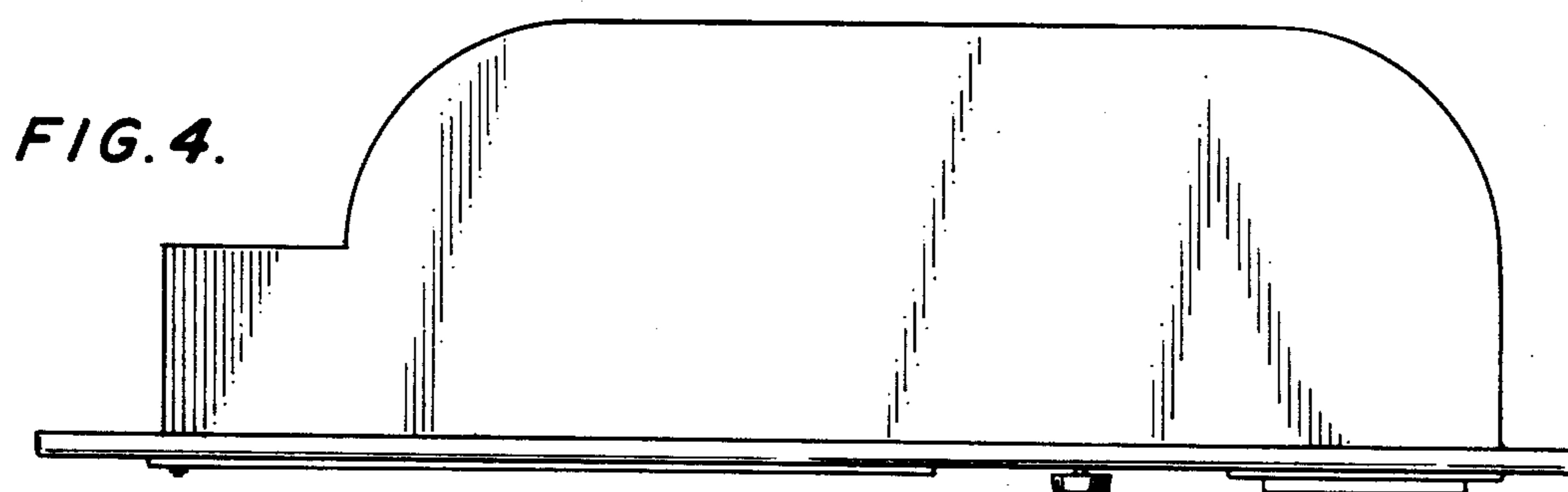


FIG. 4.

FIG. 5.

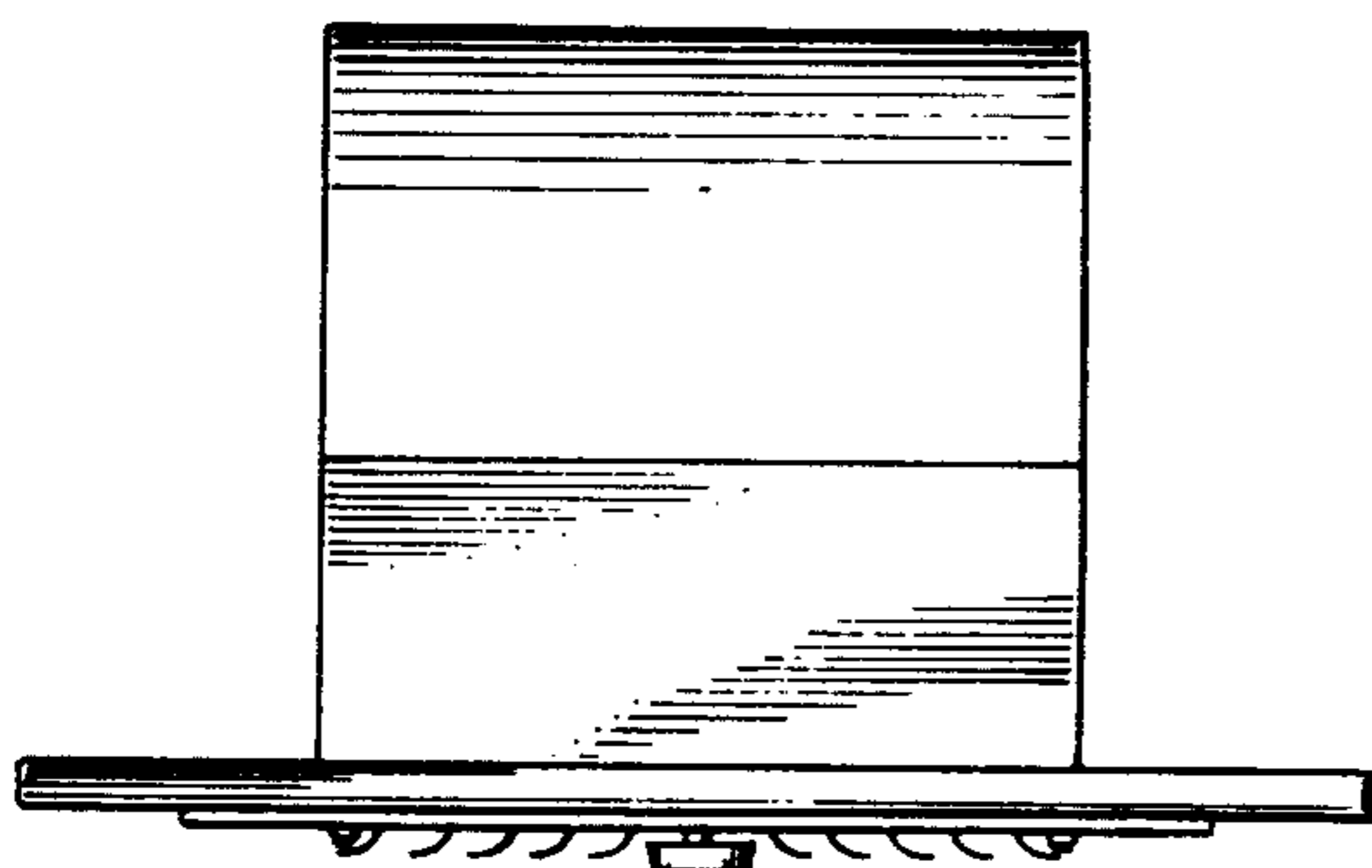


FIG. 6.

