

[54] CONVEYOR BELT

[75] Inventor: Frank B. Summers, Jr., Marblehead, Mass.

[73] Assignee: Fabreeca Products Company, Boston, Mass.

[**] Term: 14 Years

[21] Appl. No.: 844,705

[22] Filed: Oct. 25, 1977

[51] Int. Cl. D12-05

[52] U.S. Cl. D12/60

[58] Field of Search D12/58, 60, 7; 74/231 R, 231 P; 198/846, 847, 844; 305/35 EB, 38

[56] References Cited

U.S. PATENT DOCUMENTS

3,622,209 11/1971 Leyden 198/847
3,747,995 7/1973 Russ, Sr. 305/35 EB

Primary Examiner—James M. Gandy
Attorney, Agent, or Firm—Dike, Bronstein, Roberts, Cushman & Pfund

[57] CLAIM

The ornamental design for a conveyor belt, substantially as shown and described.

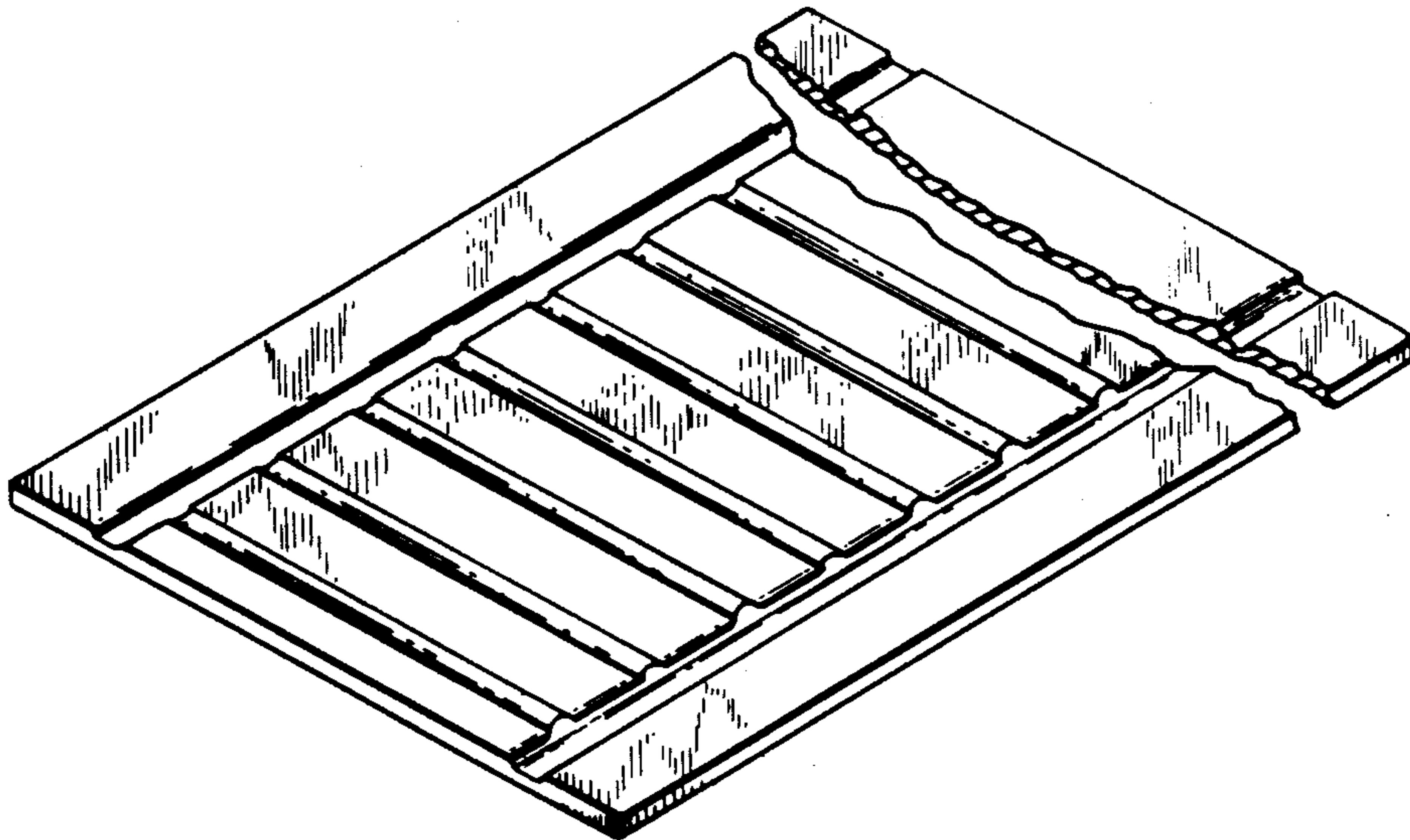
DESCRIPTION

FIG. 1 is a top perspective view of a conveyor belt showing my new design, it being understood that the belt has been broken away near one end to indicate intermediate length;

FIG. 2 is an enlarged end elevational view thereof;

FIG. 3 is a fragmentary side elevational view thereof; and

FIG. 4 is a fragmentary bottom plan view thereof on a reduced scale.



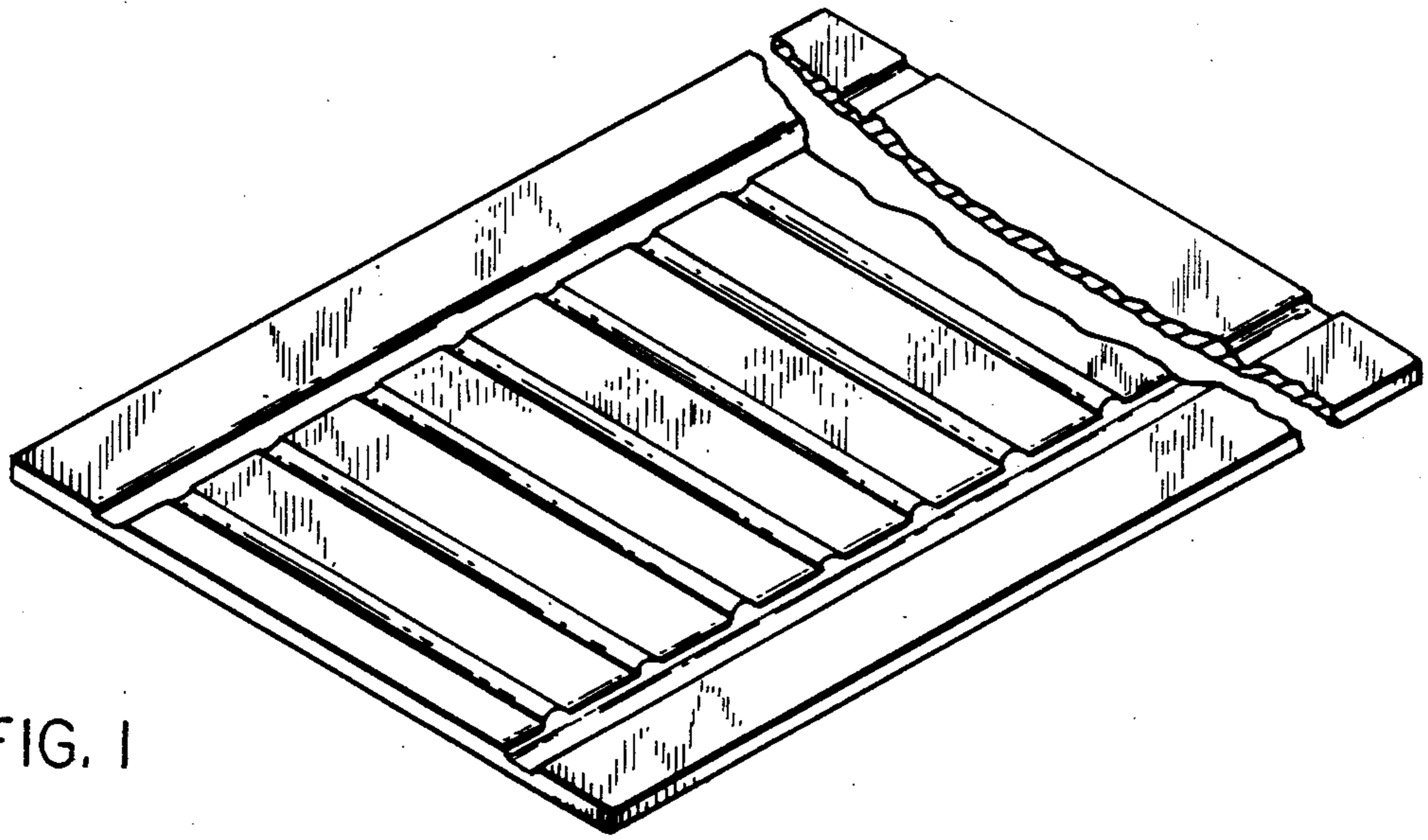


FIG. 1

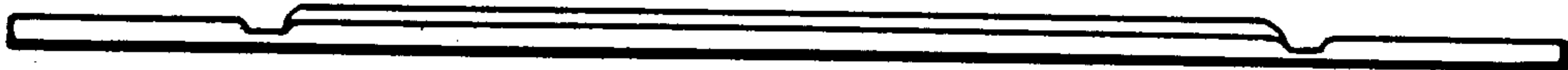


FIG. 2



FIG. 3

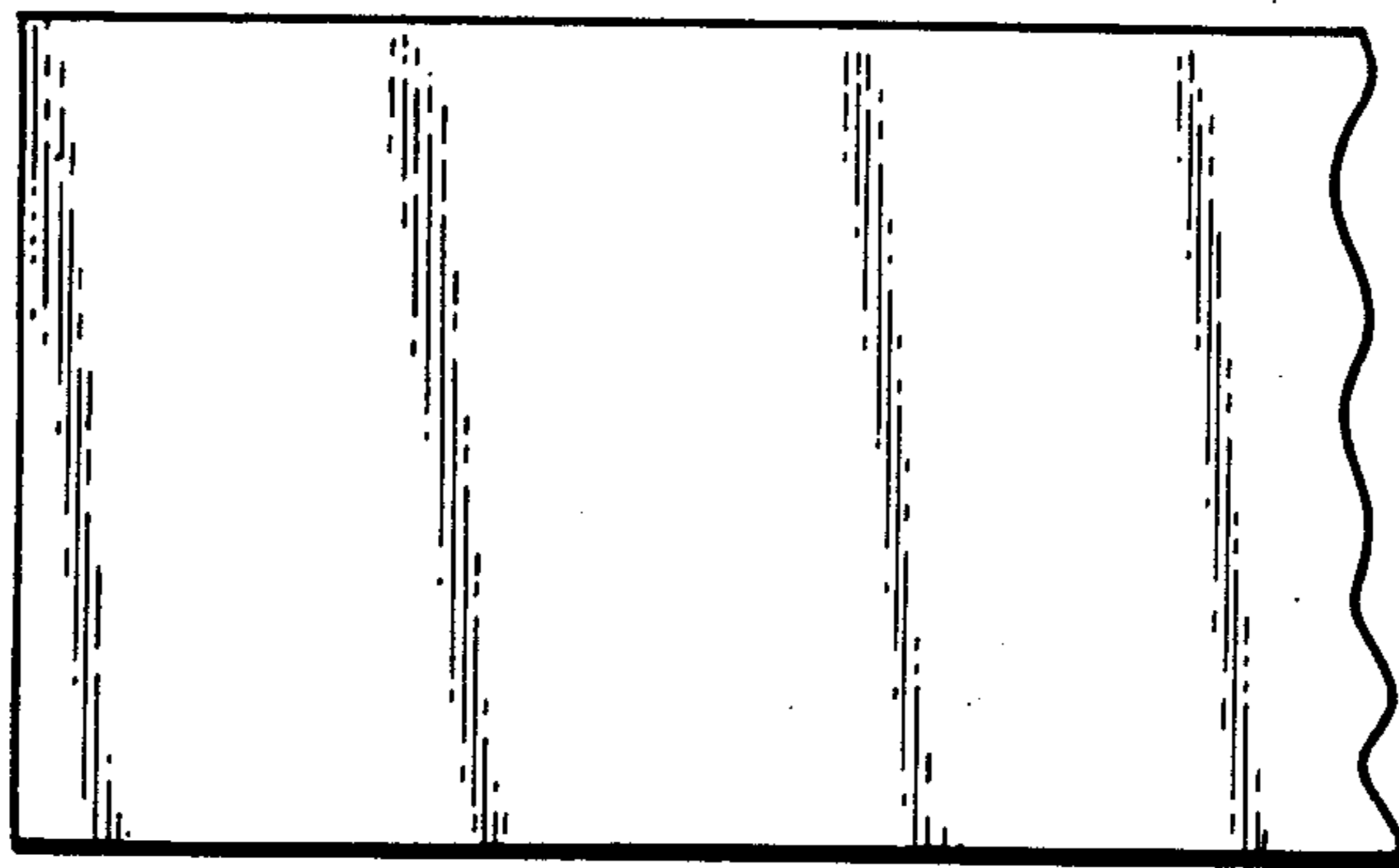


FIG. 4