

[54] SCALE

[75] Inventor: Robert Perrier, Paris, France

[73] Assignee: Testut-Aequitas, Paris, France

[\*\*] Term: 14 Years

[21] Appl. No.: 866,605

[22] Filed: Jan. 3, 1978

[30] Foreign Application Priority Data

Jul. 5, 1977 [FR] France ..... 77 75818

[51] Int. Cl. .... D10-04

[52] U.S. Cl. .... D10/91

[58] Field of Search ..... D10/87, 88, 89, 90,  
D10/91, 92, 94; 177/DIG. 3, 241, 210

[56]

References Cited

U.S. PATENT DOCUMENTS

D. 237,062	10/1975	Teraoka .....	D10/91
D. 241,525	9/1976	Karp .....	D10/91
4,008,776	2/1977	Kushmuk .....	177/241

Primary Examiner—Nelson C. Holtje  
Attorney, Agent, or Firm—Lawrence I. Lerner

[57]

CLAIM

The ornamental design for a scale, substantially as shown and described.

DESCRIPTION

FIG. 1 is a left front perspective view of a scale showing my new design;

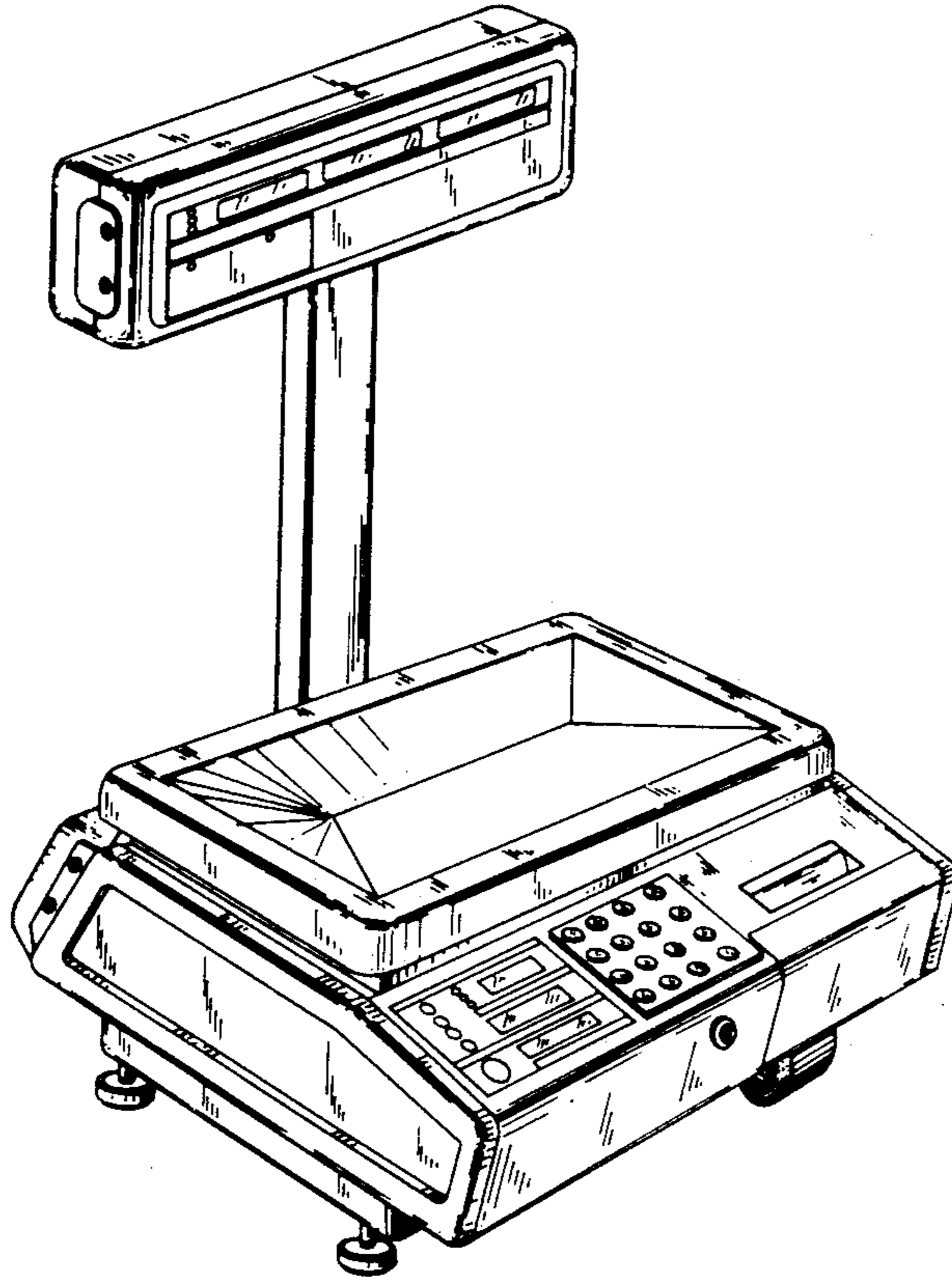
FIG. 2 is a front elevational view thereof;

FIG. 3 is a right side elevational view thereof;

FIG. 4 is a rear elevational view thereof;

FIG. 5 is a top plan view thereof; and

FIG. 6 is a bottom plan view thereof.



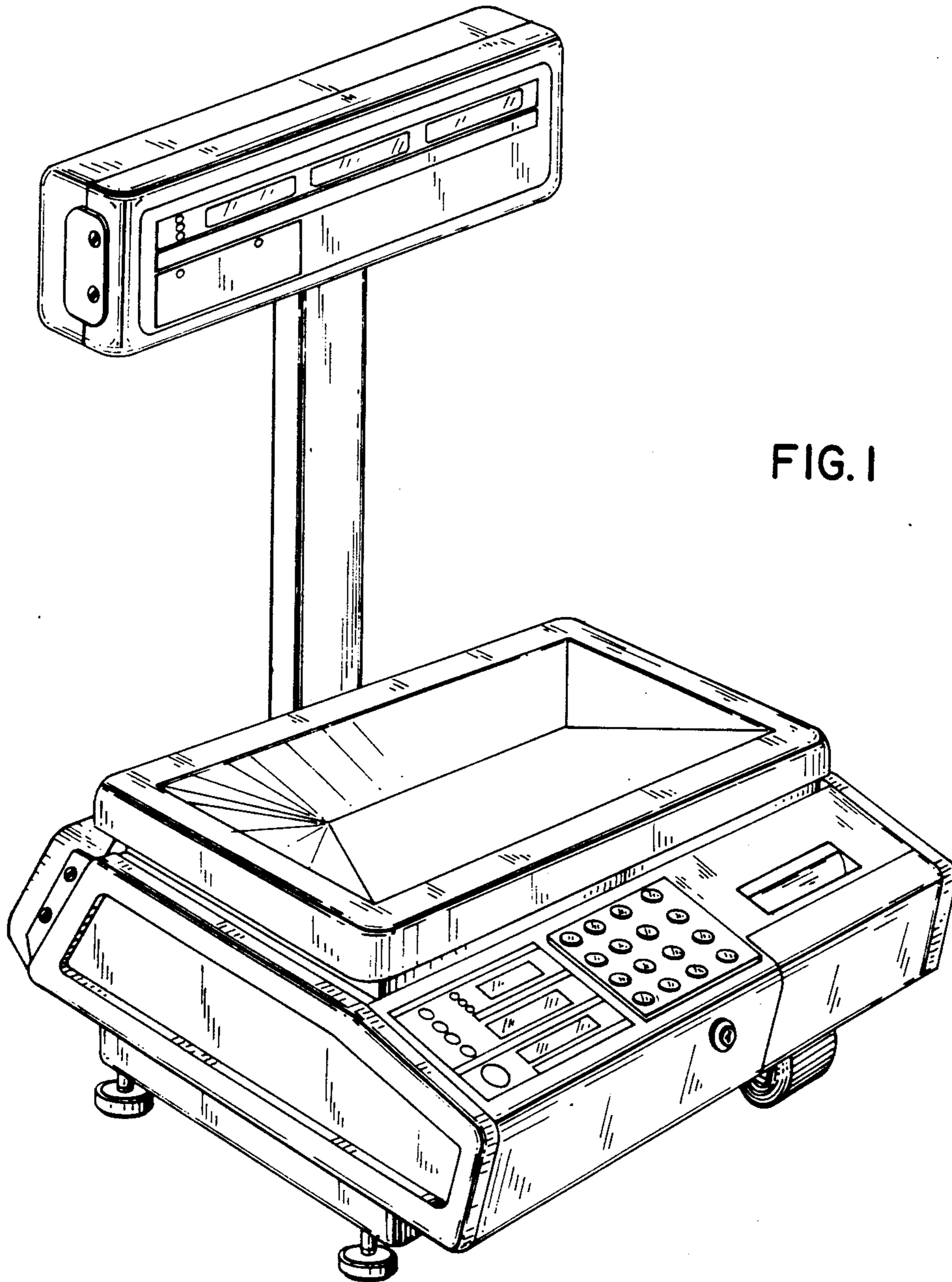


FIG. 1

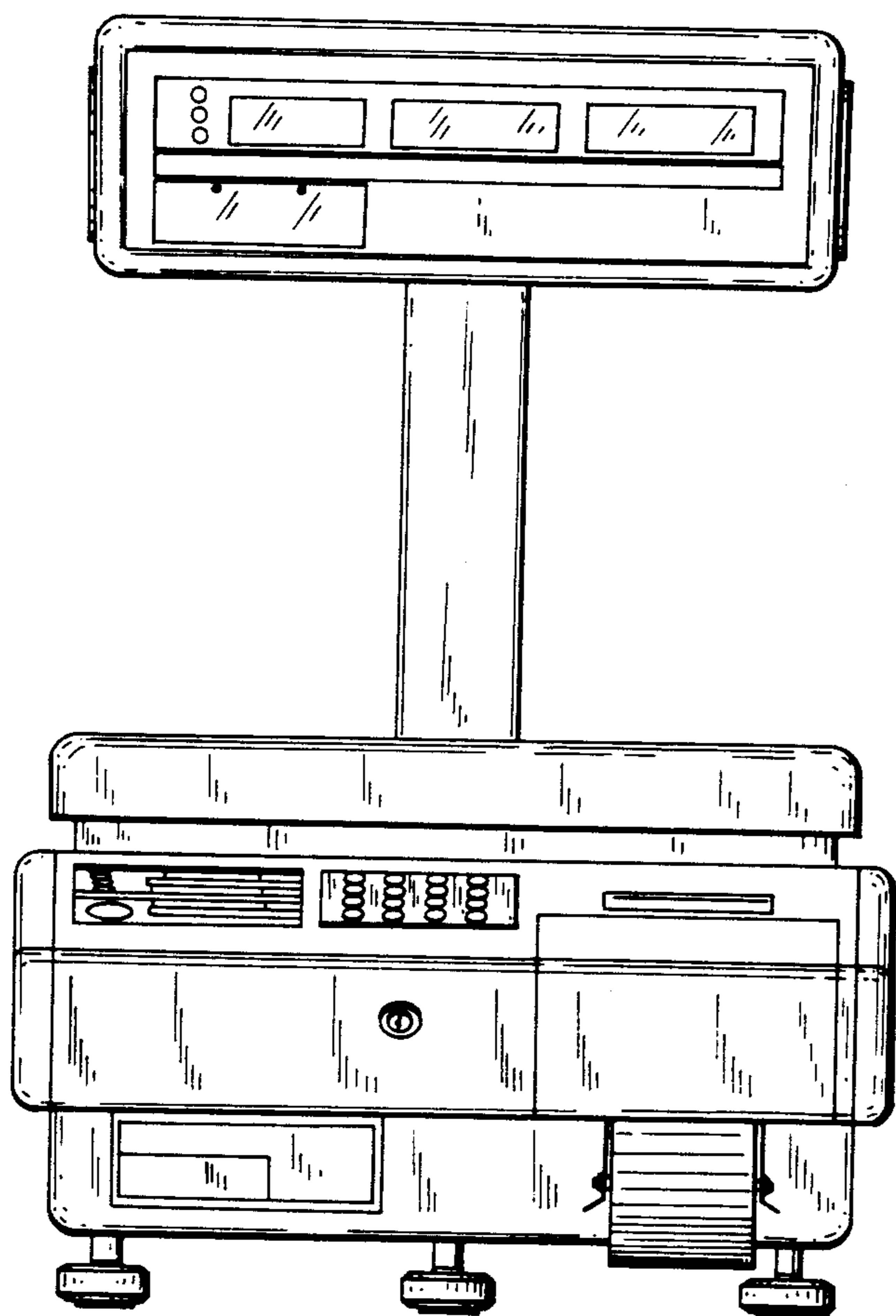
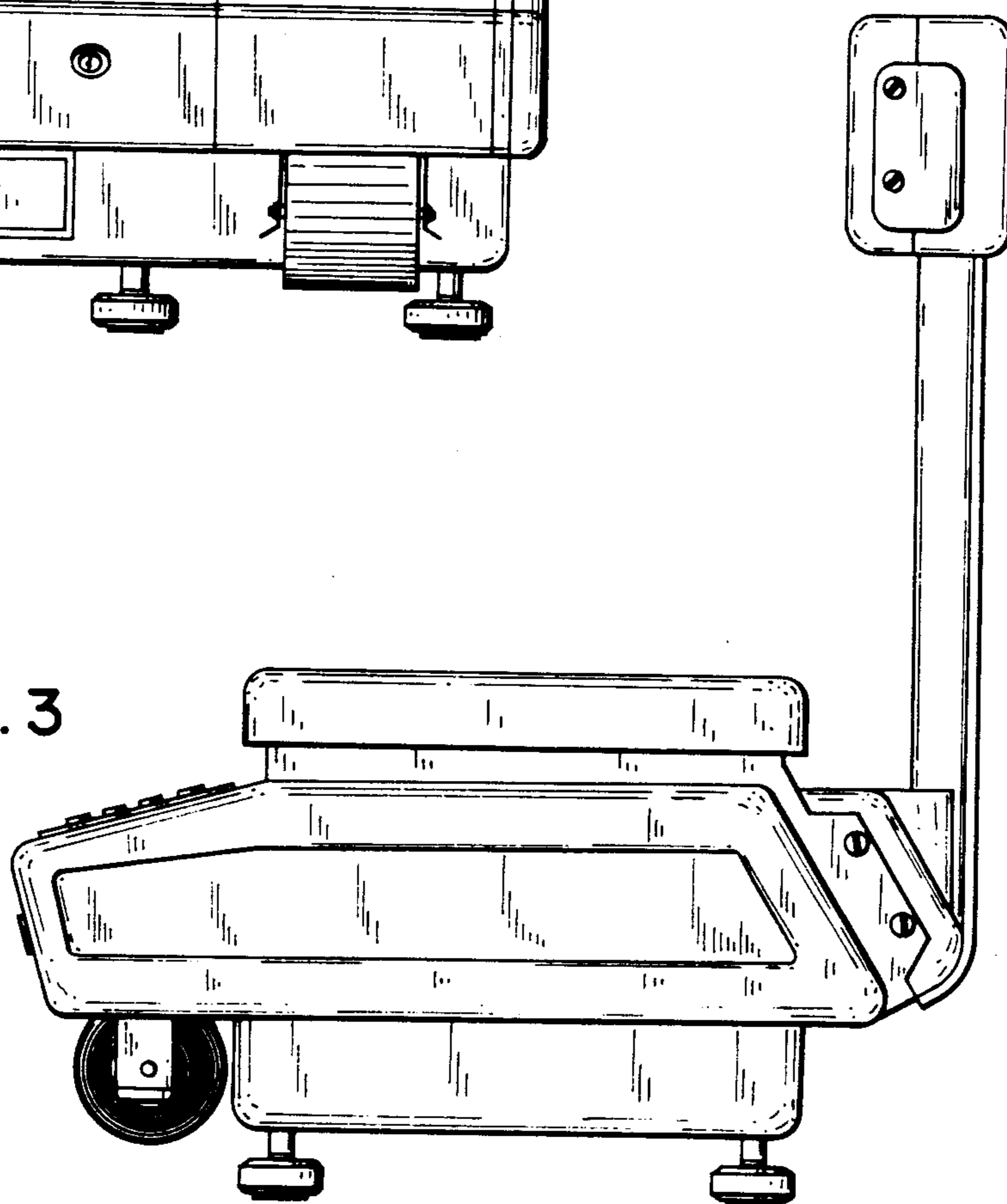


FIG. 2

FIG. 3



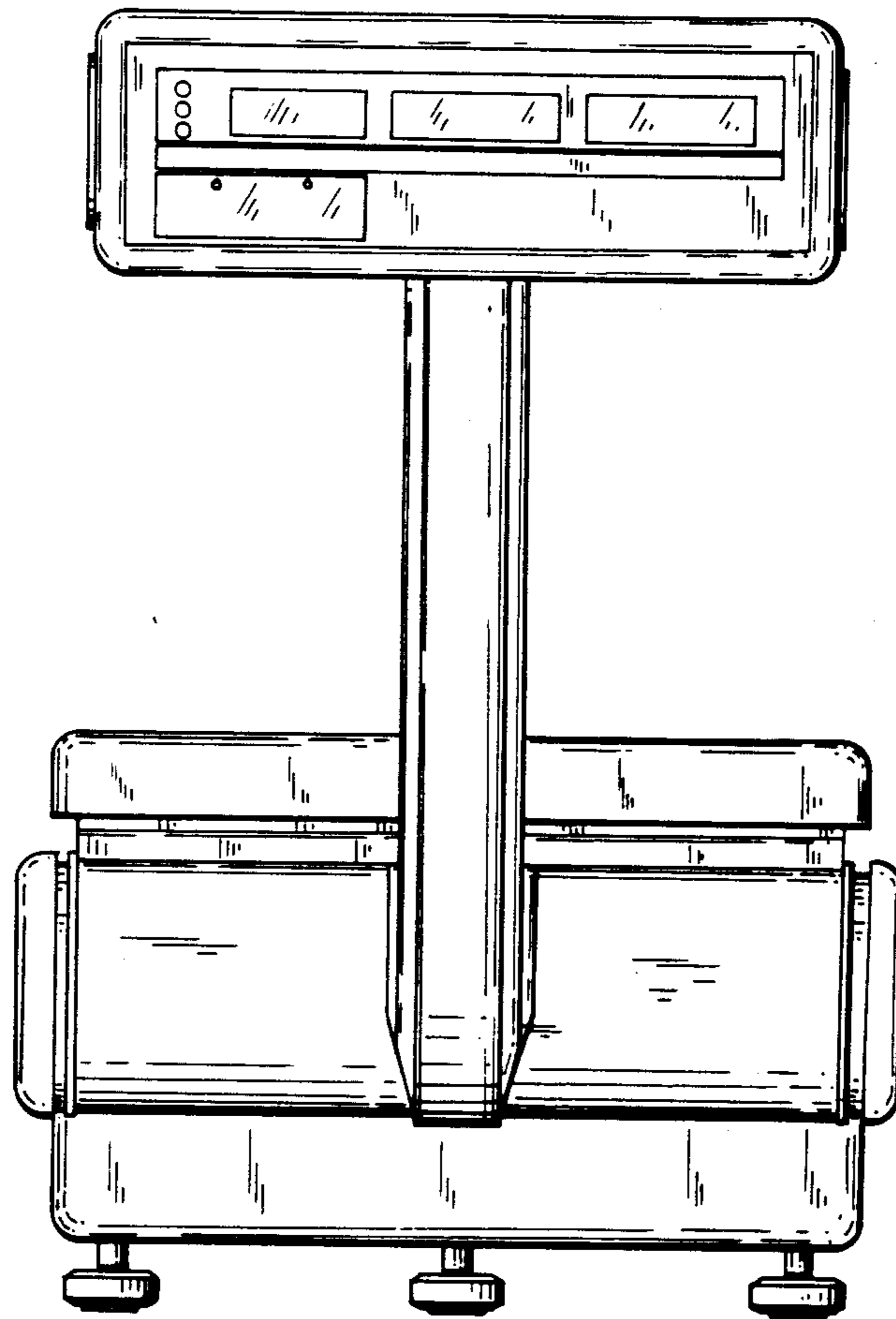


FIG. 4

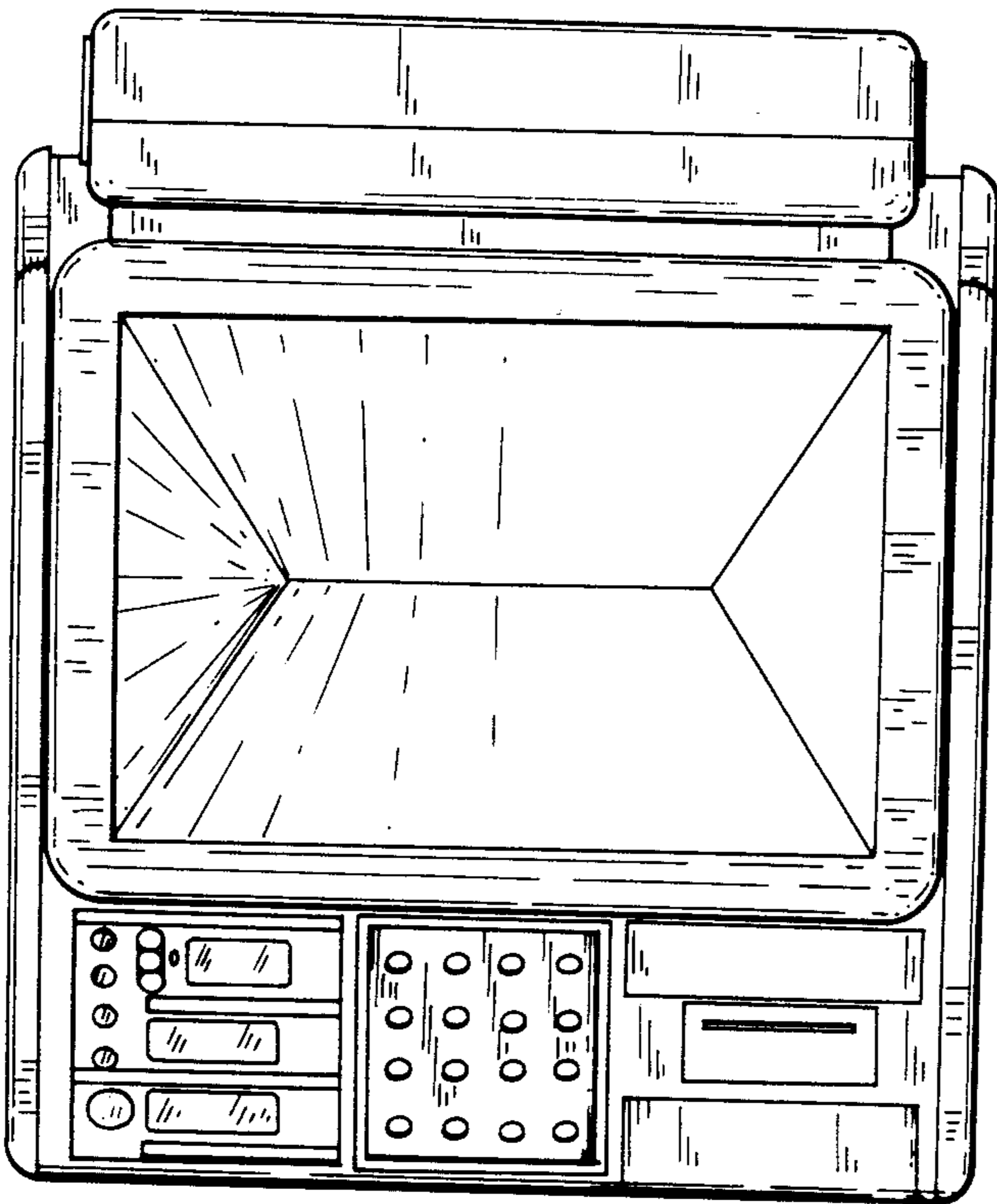


FIG. 5

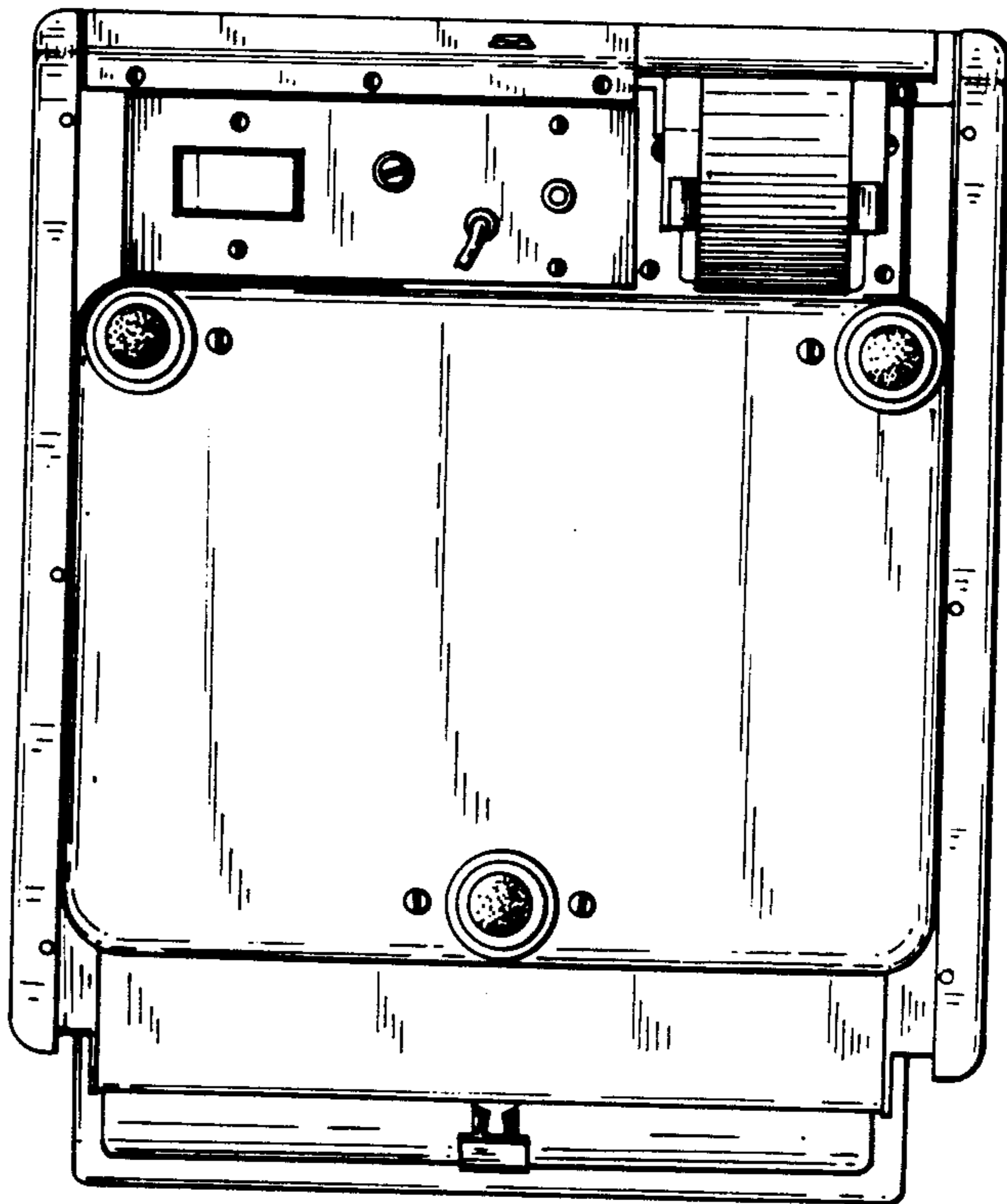


FIG. 6