

[54] SCALE

[75] Inventor: Robert Perrier, Paris, France

[73] Assignee: Testut-Aequitas, Paris, France

[**] Term: 14 Years

[21] Appl. No.: 866,247

[22] Filed: Jan. 3, 1978

[30] Foreign Application Priority Data

Jul. 5, 1977 [FR] France 77 75818

[51] Int. Cl. D10-04

[52] U.S. Cl. D10/91

[58] Field of Search D10/87, 88, 89, 90,
D10/91, 92, 94; 177/DIG. 3, 241, 210

[56]

References Cited

U.S. PATENT DOCUMENTS

D. 220,539	4/1971	Dillon	D10/91
D. 237,062	10/1975	Teraoka	D10/91
D. 241,525	9/1976	Karp	D10/91
4,008,776	2/1977	Kushmuk	177/241

Primary Examiner—Nelson C. Holtje
Attorney, Agent, or Firm—Lawrence I. Lerner

[57]

CLAIM

The ornamental design for a scale, substantially as shown and described.

DESCRIPTION

FIG. 1 is a left front perspective view of a scale showing my new design;

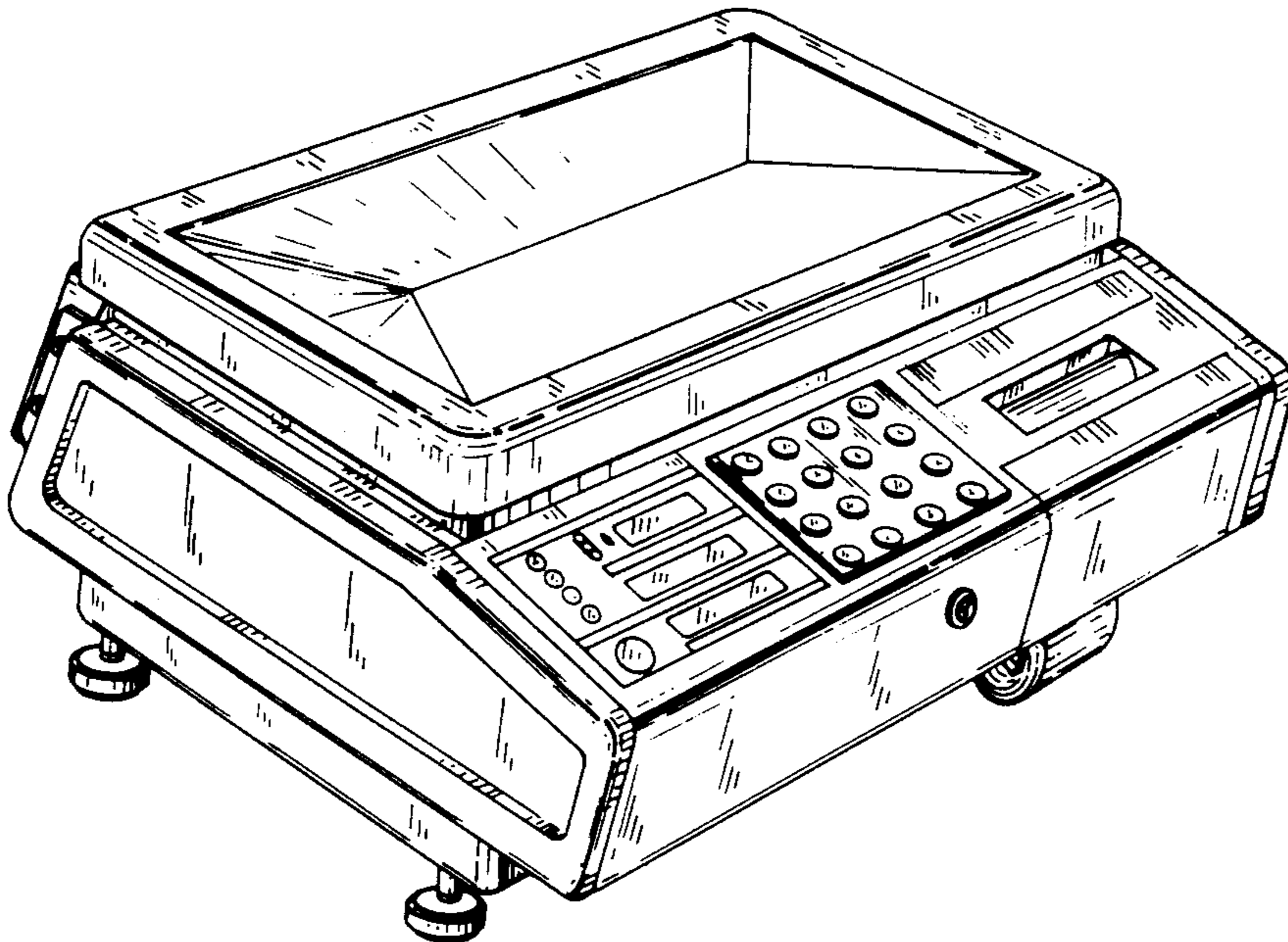
FIG. 2 is a front elevational view thereof;

FIG. 3 is a rear elevational view thereof;

FIG. 4 is a right side elevational view thereof;

FIG. 5 is a top plan view thereof; and

FIG. 6 is a bottom plan view thereof.



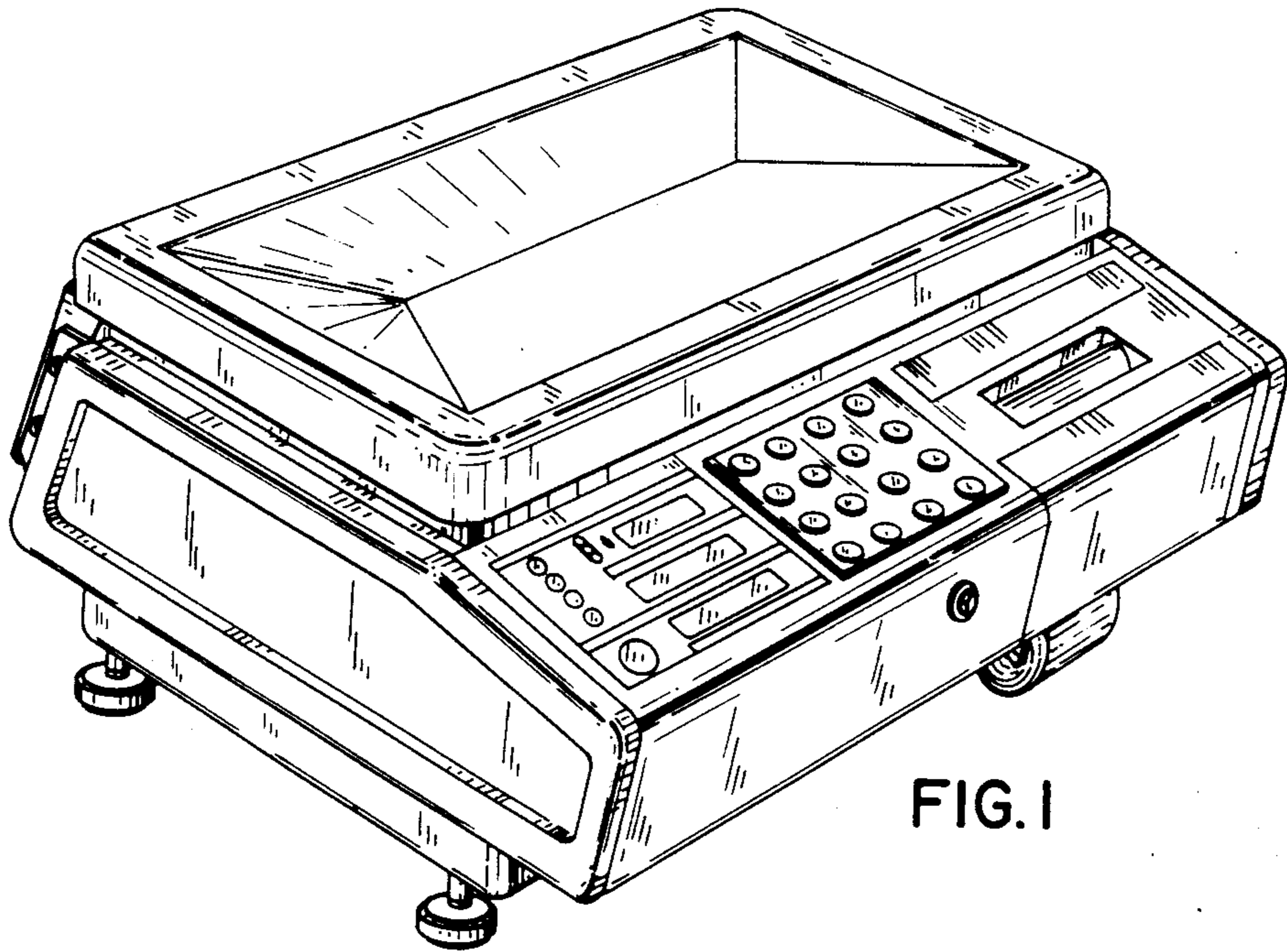


FIG. 1

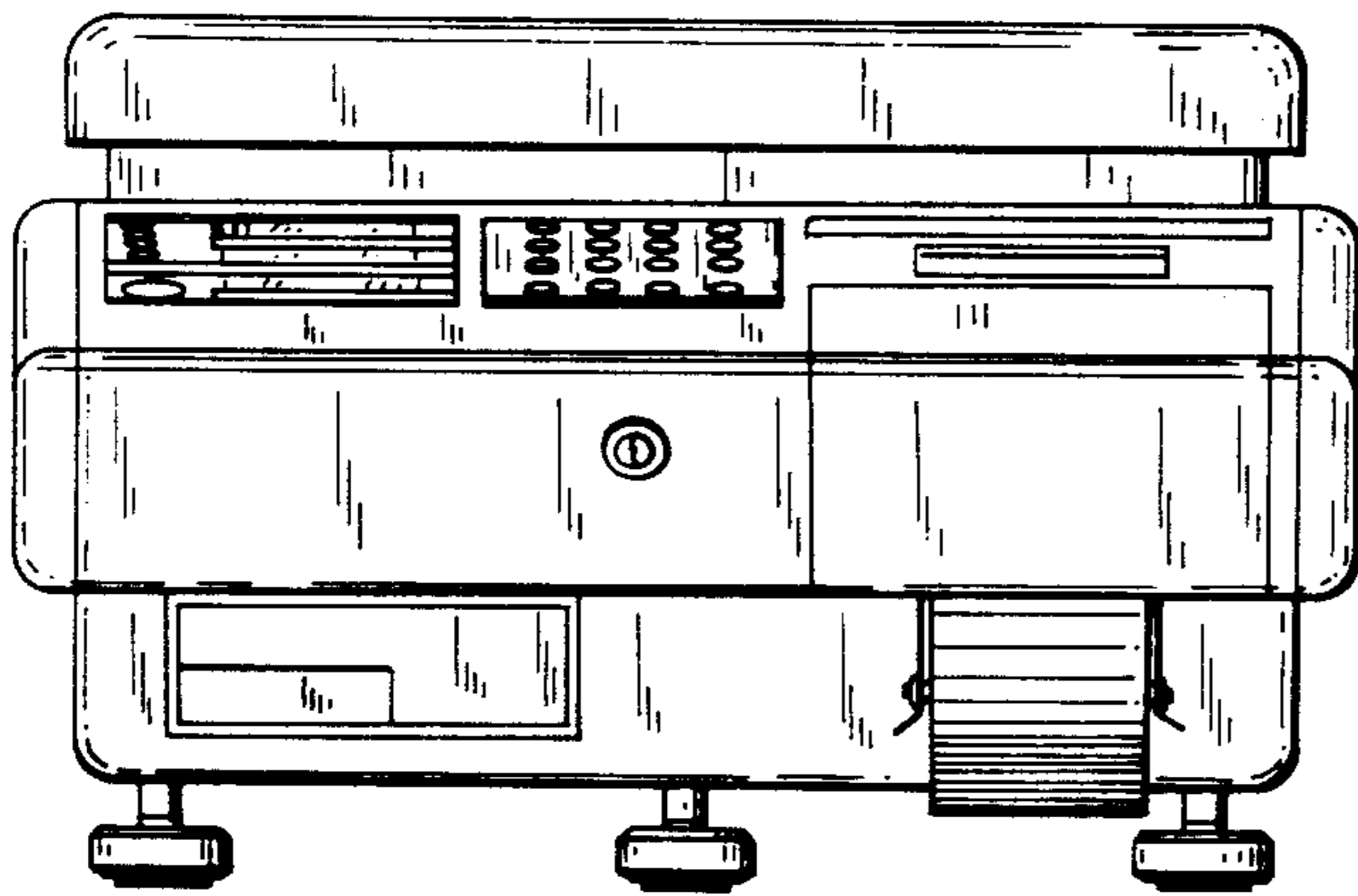


FIG. 2

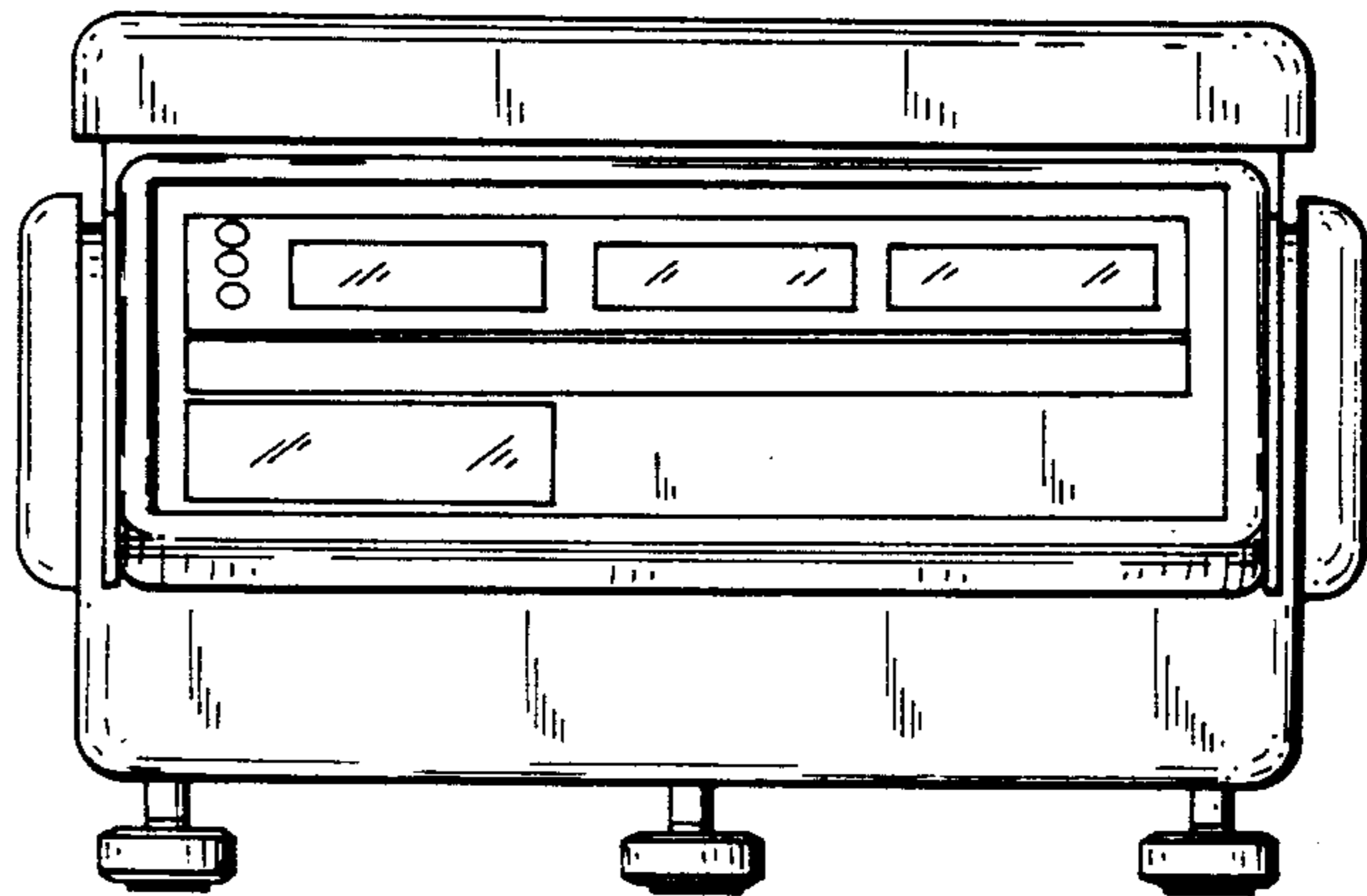


FIG. 3

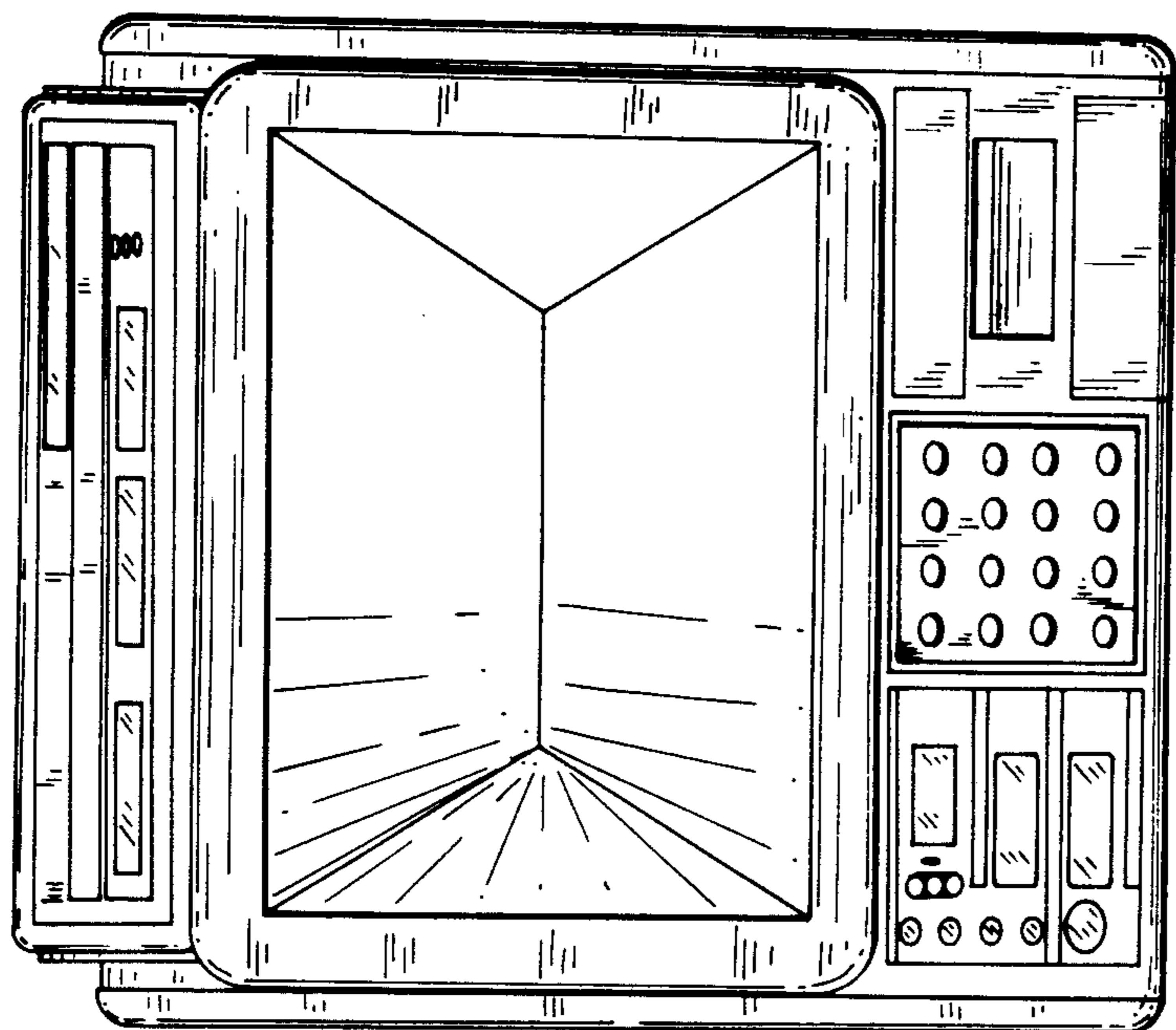


FIG. 5

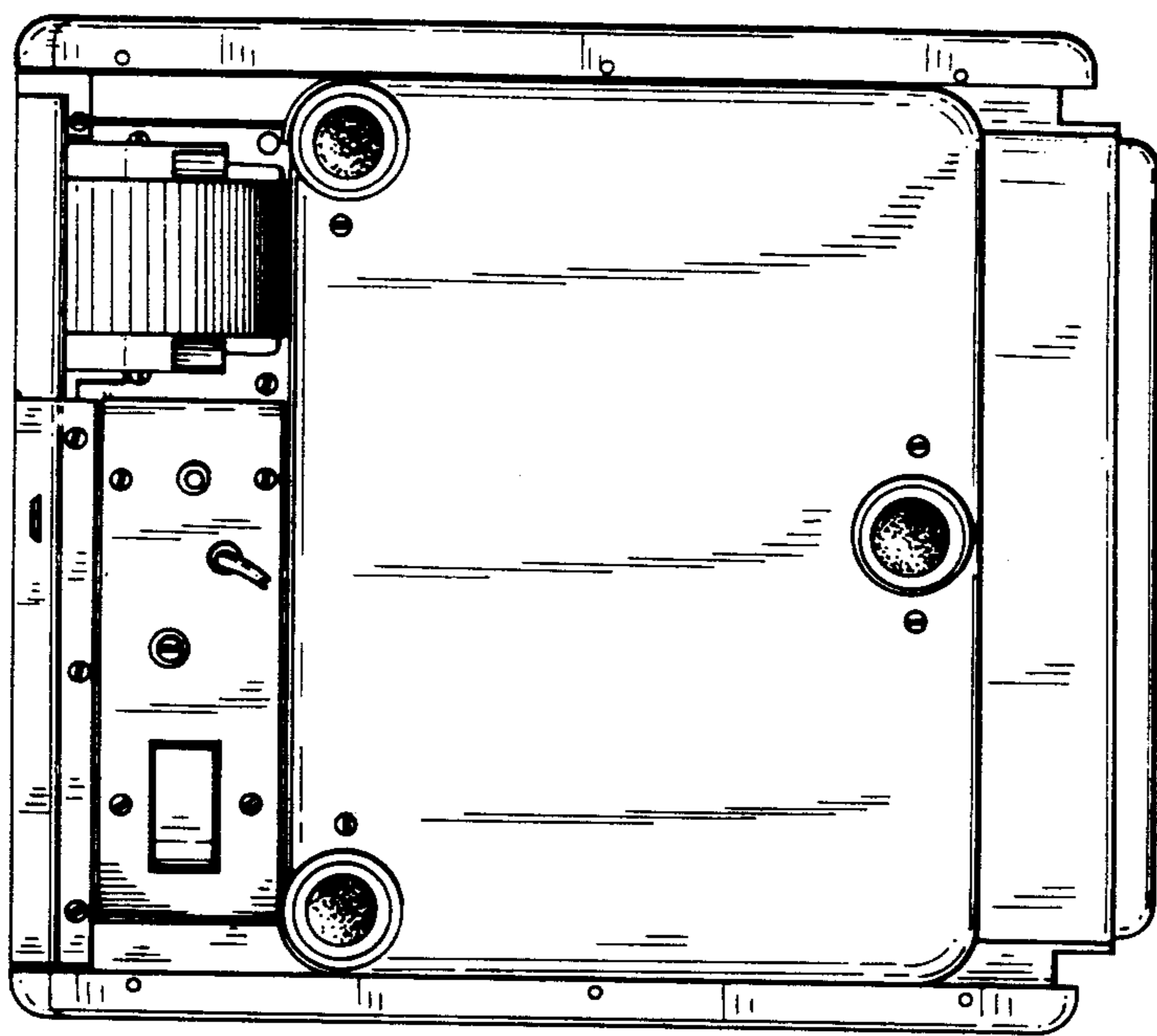


FIG. 6

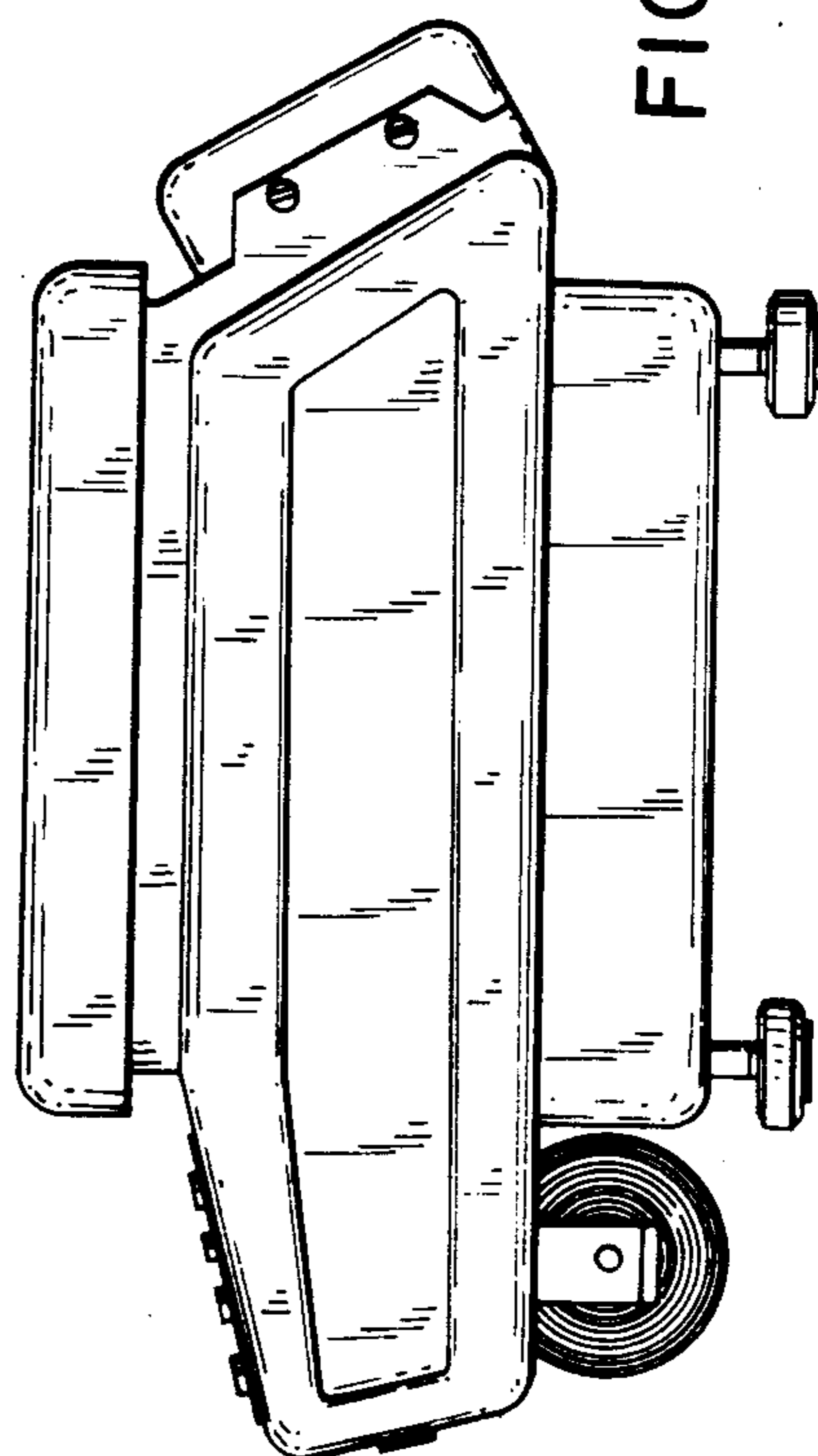


FIG. 4