

[54] BOTTLE CRATE

[75] Inventor: John D. Van Geem, Eric, Pa.

[73] Assignee: Erie Crate and Manufacturing Company, Eric, Pa.

[**] Term: 14 Years

[21] Appl. No.: 789,964

[22] Filed: Apr. 22, 1977

[51] Int. Cl. D9-03

[52] U.S. Cl. D9/177

[58] Field of Search 229/20, 21; D9/246-248, 176-179; D87/1 R

[56] References Cited

U.S. PATENT DOCUMENTS

D. 229,672 12/1973 Van Geem D9/177

D. 242,600	12/1976	Box	D9/177
D. 246,287	11/1977	Tietz	D9/179 X
3,628,684	12/1971	Sere	220/21
3,809,279	5/1974	Arjas	220/21

Primary Examiner—Robert C. Spangler
Attorney, Agent, or Firm—Charles L. Lovercheck

[57] CLAIM

The ornamental design for a bottle crate, as shown and described.

DESCRIPTION

FIG. 1 is a side elevational view of a bottle crate showing my new design, the remaining three sides being the same in appearance.

FIG. 2 is a fragmentary sectional view taken on the line 2—2 of FIG. 1 showing only the right half of the bottle crate.

FIG. 3 is a top plan view thereof.

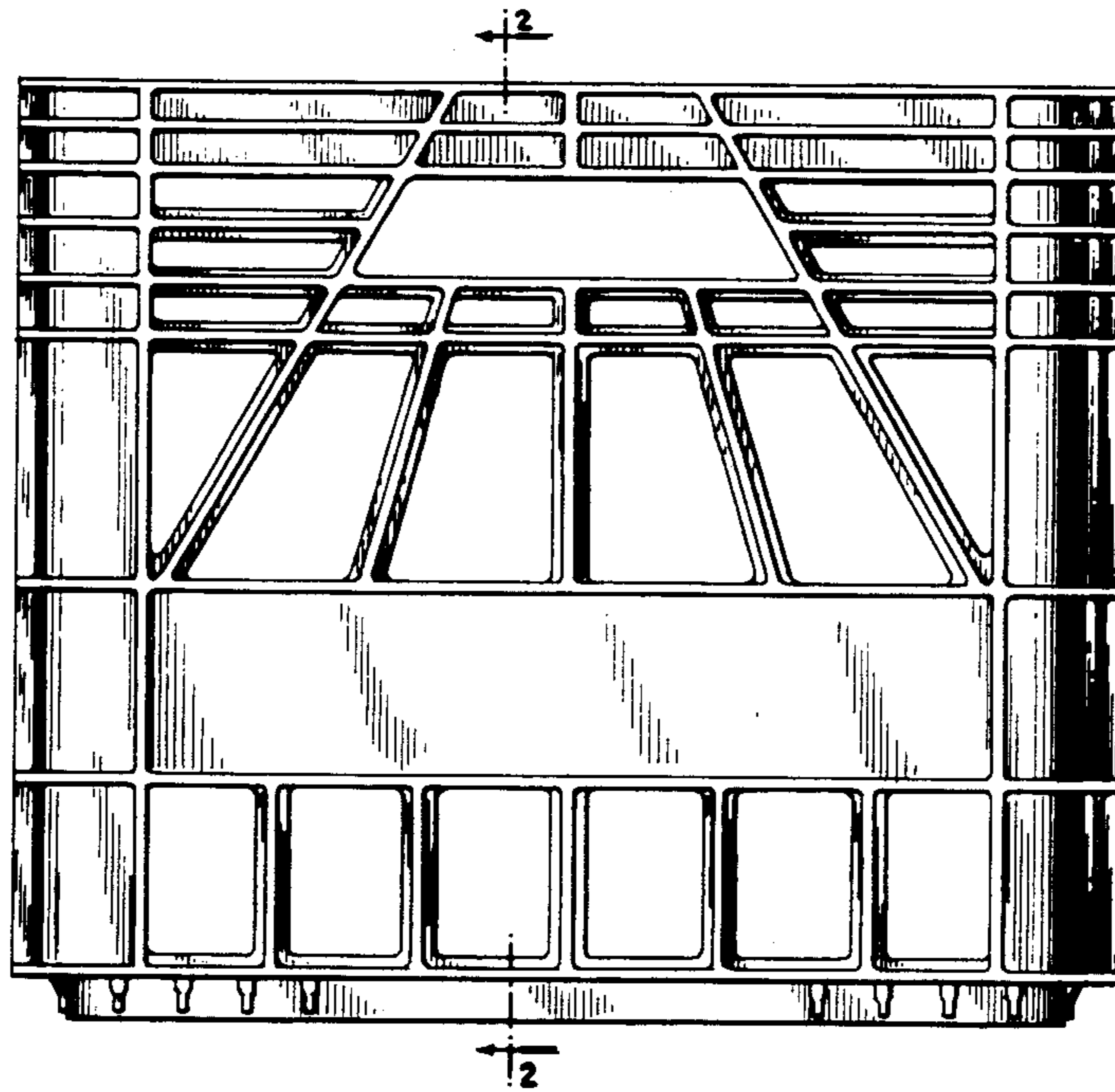


FIG. 2.

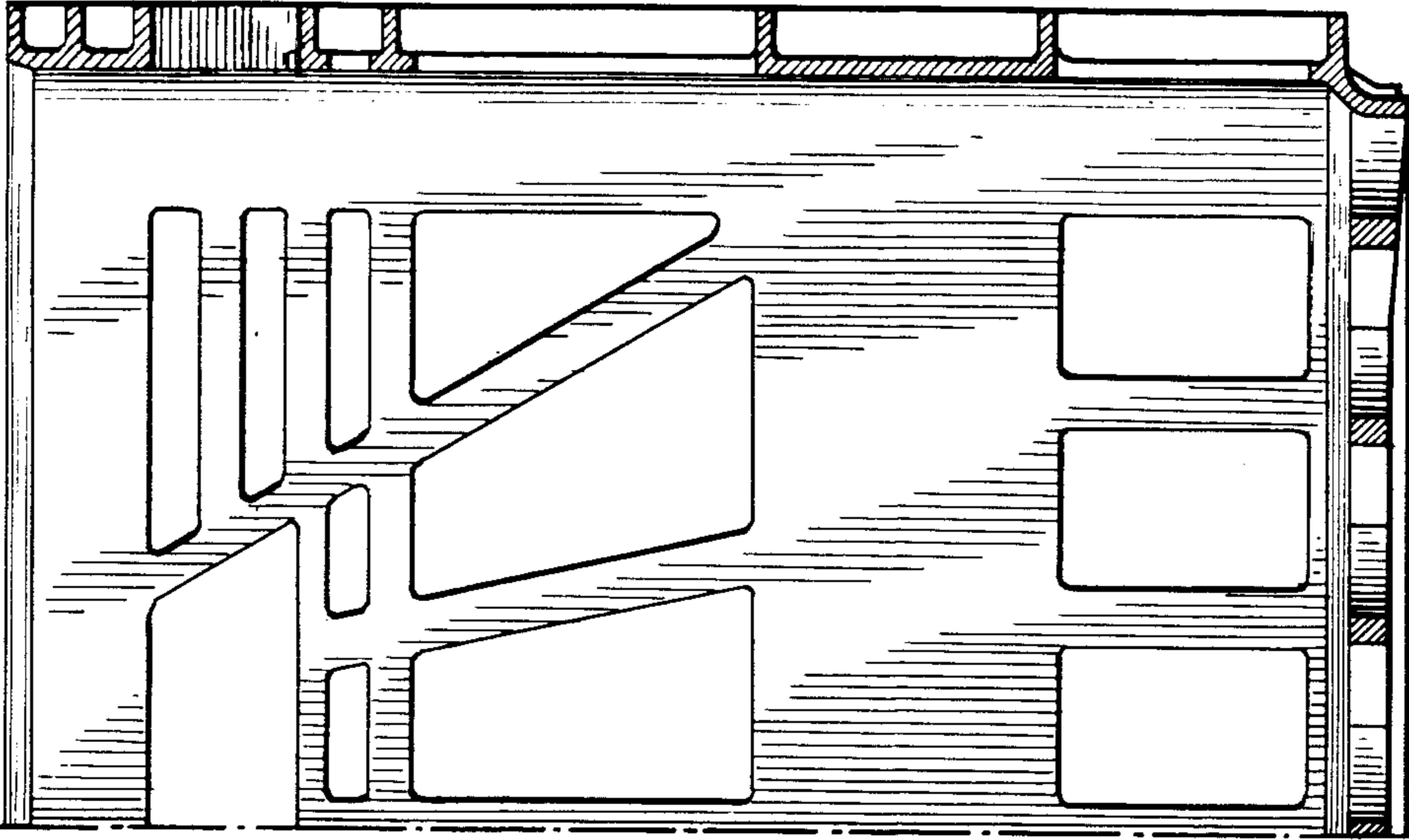
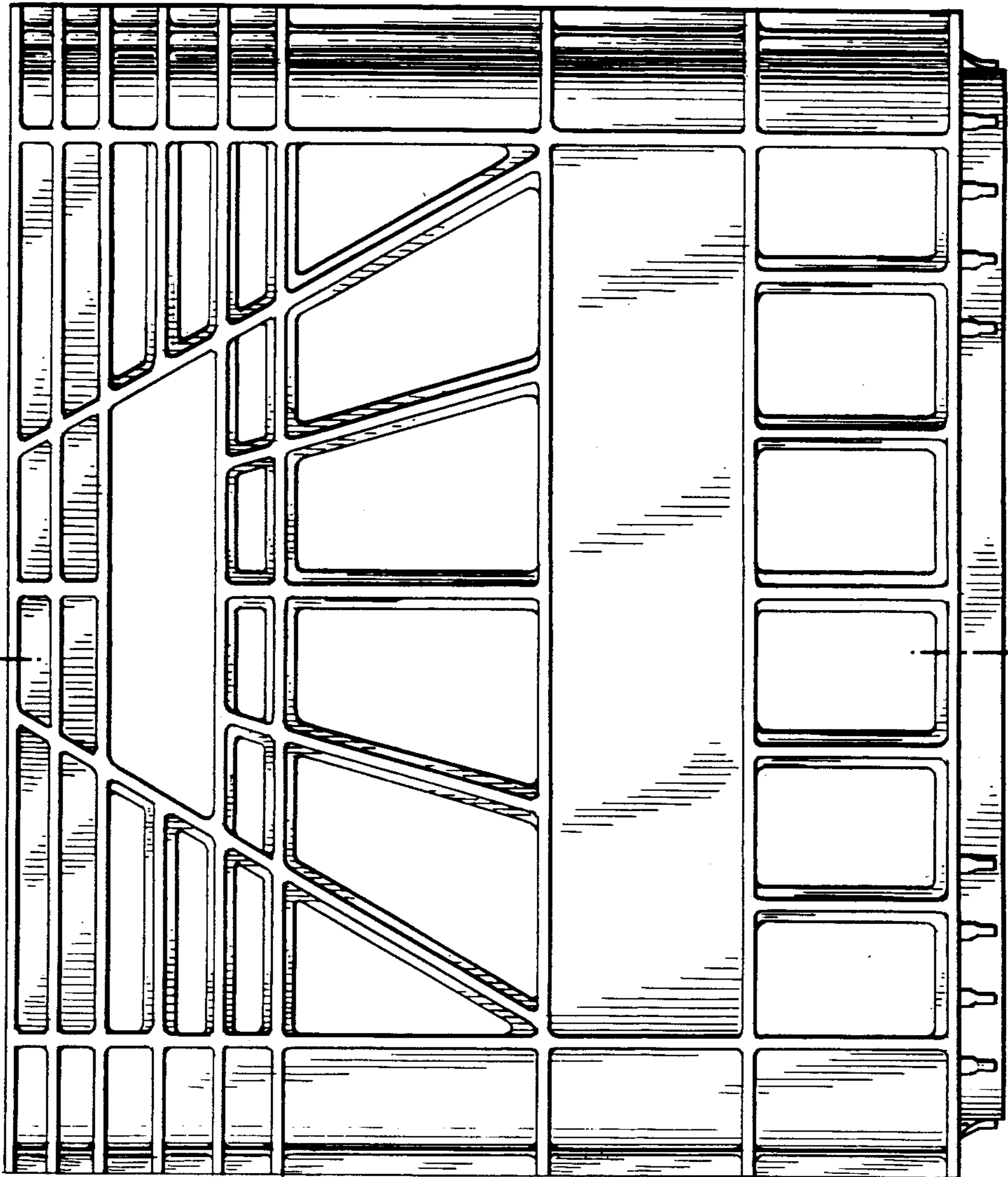


FIG. 1.

2



2

FIG. 3.

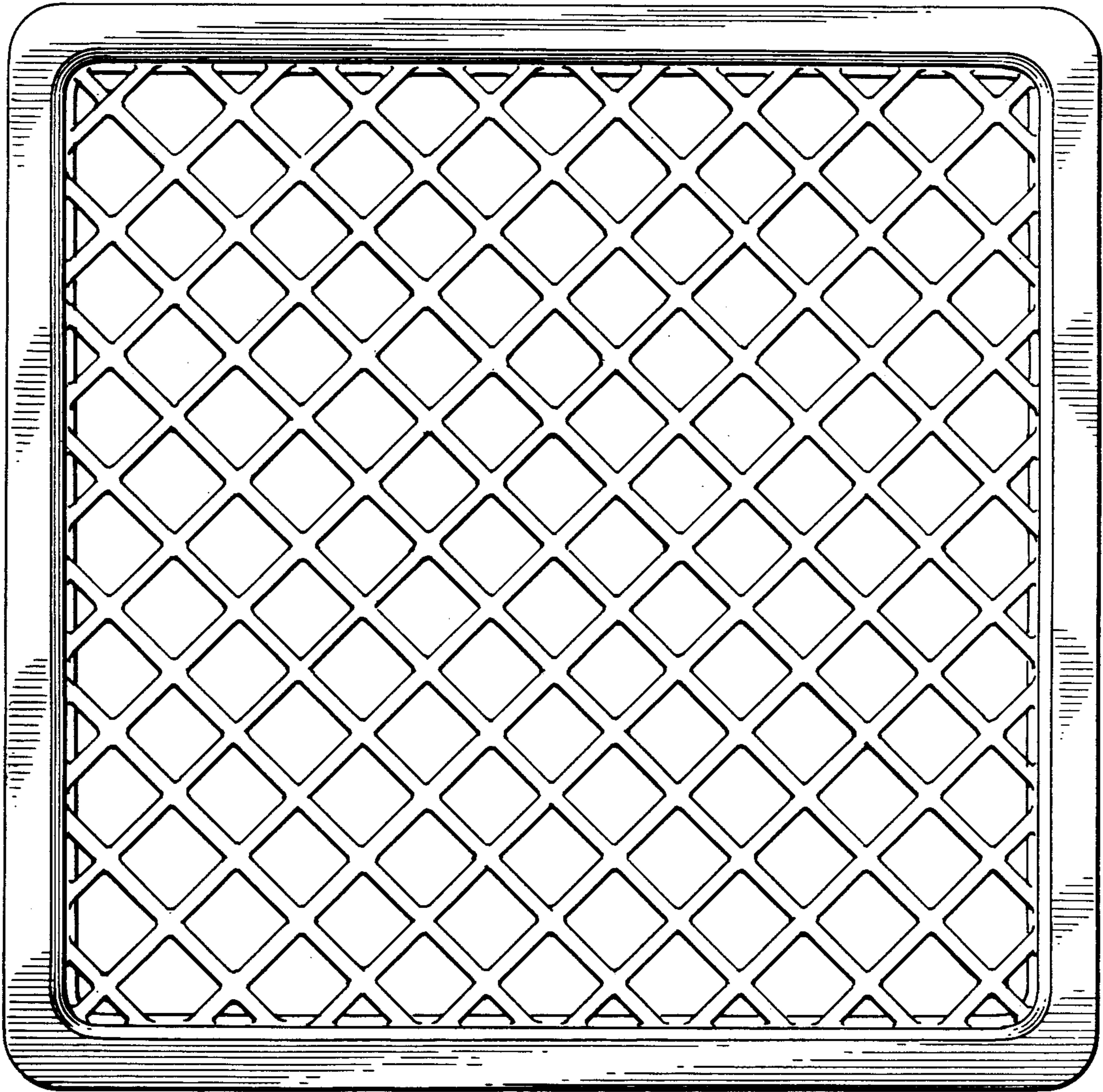


FIG. 4.

