

[54] INSULATED BOWL

[75] Inventor: Jack Abbate, Brooklyn, N.Y.

[73] Assignee: Regency Service Carts, Inc.,
Brooklyn, N.Y.

[**] Term: 14 Years

[21] Appl. No.: 844,697

[22] Filed: Oct. 25, 1977

[51] Int. Cl. D07-01

[52] U.S. Cl. D7/22; D7/23;
D7/77

[58] Field of Search D7/22, 23, 98, 27, 1,
D7/3, 76, 77

[56]

References Cited

U.S. PATENT DOCUMENTS

D. 53,712	8/1919	Kepler et al.	D7/98
D. 230,811	3/1974	Cheyne	D7/85
D. 240,000	5/1976	Cone	D7/27 X
3,383,880	5/1968	Peters	D7/23 X

Primary Examiner—Winifred E. Herrmann

Attorney, Agent, or Firm—Morton Amster

[57]

CLAIM

The ornamental design for an insulated bowl, substantially as shown.

DESCRIPTION

FIG. 1 is a front perspective view of an insulated bowl, showing my new design;

FIG. 2 is a side elevational view thereof;

FIG. 3 is a top plan view thereof; and

FIG. 4 is a bottom plan view thereof.

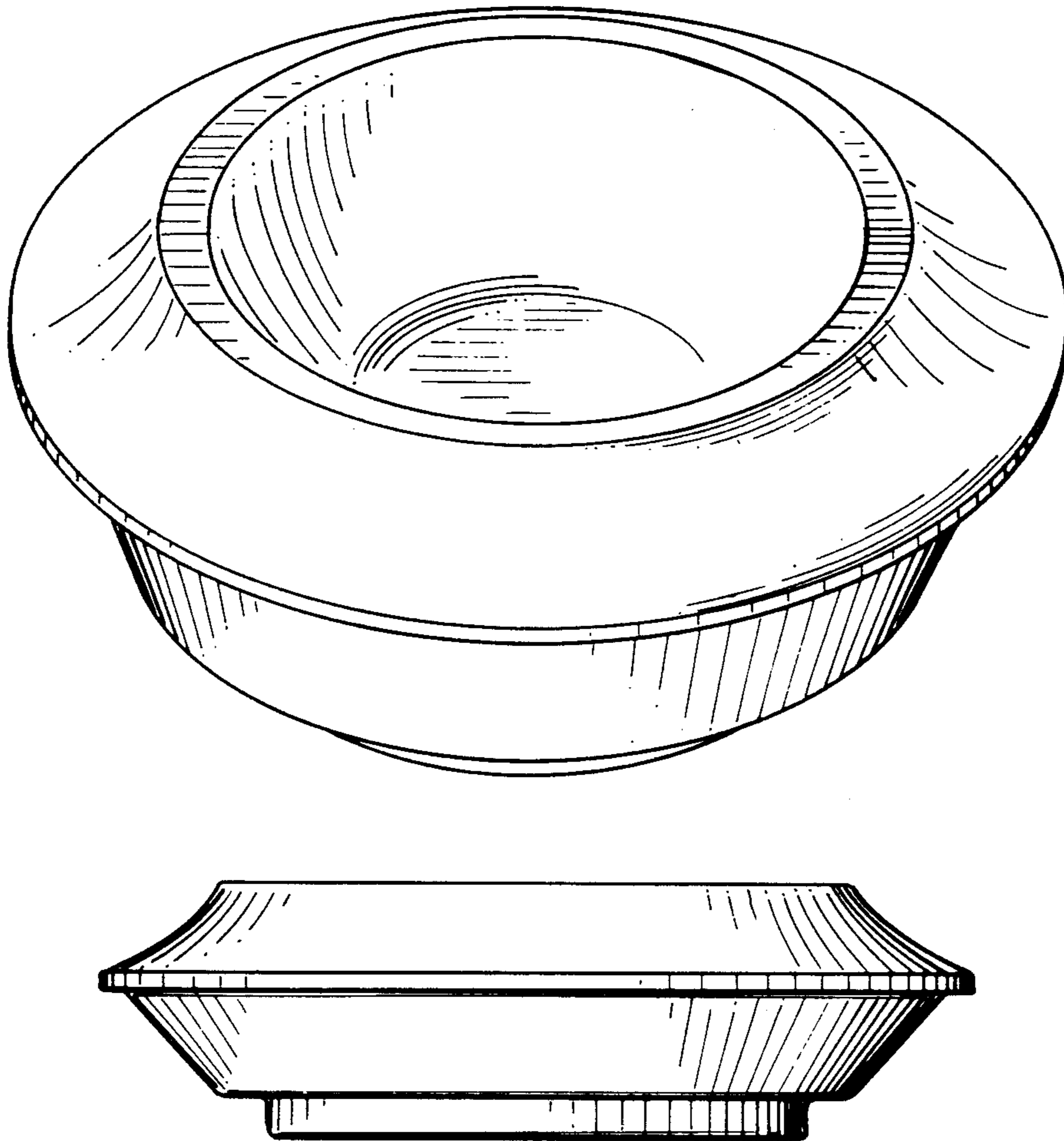


FIG. 1

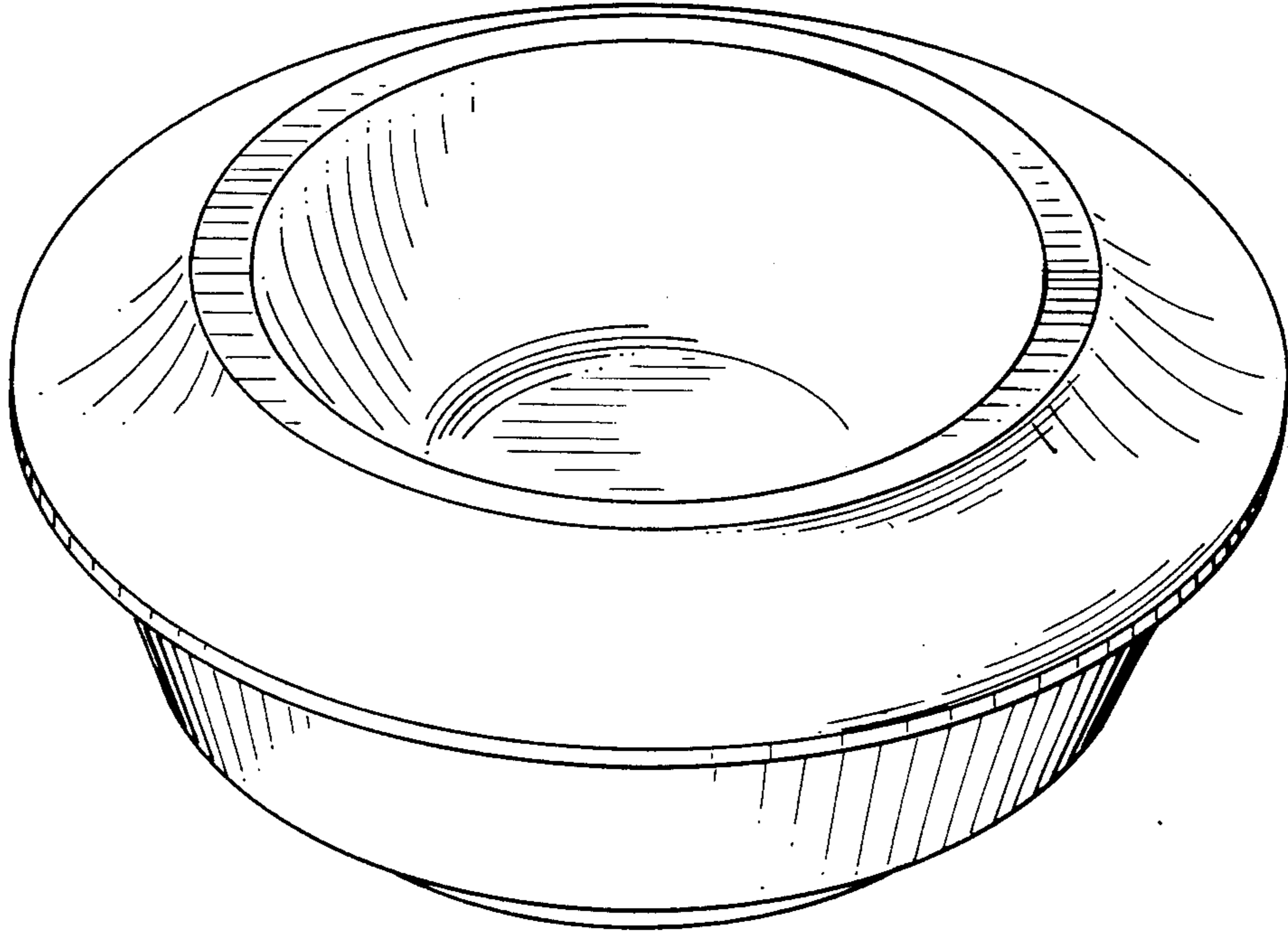


FIG. 2

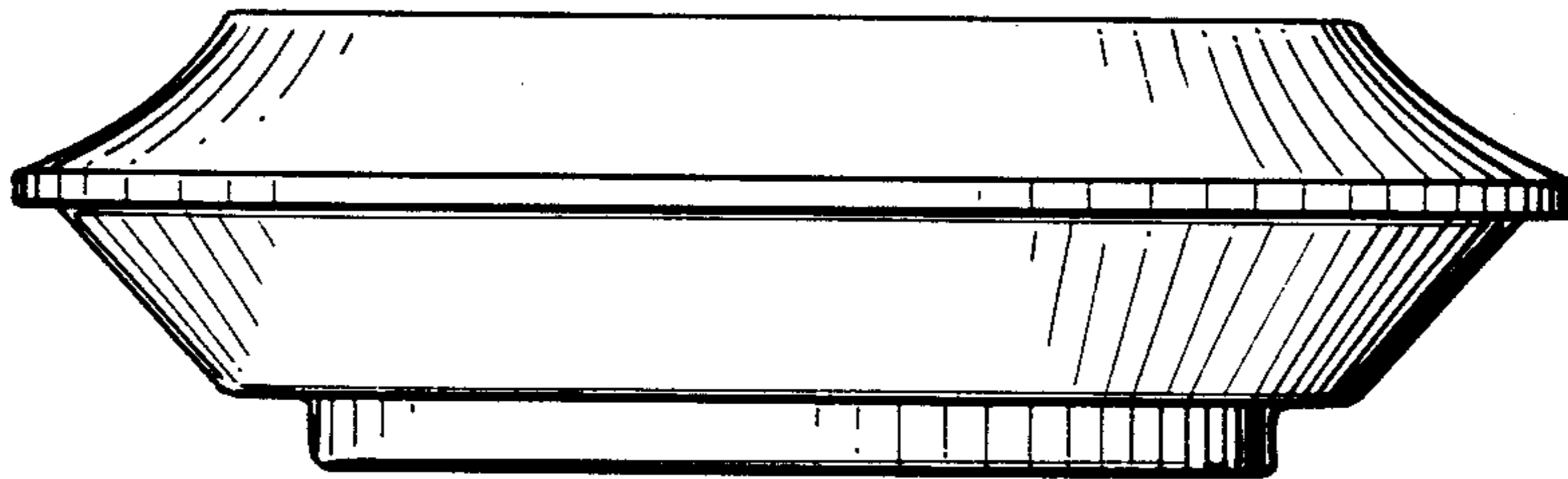


FIG. 3

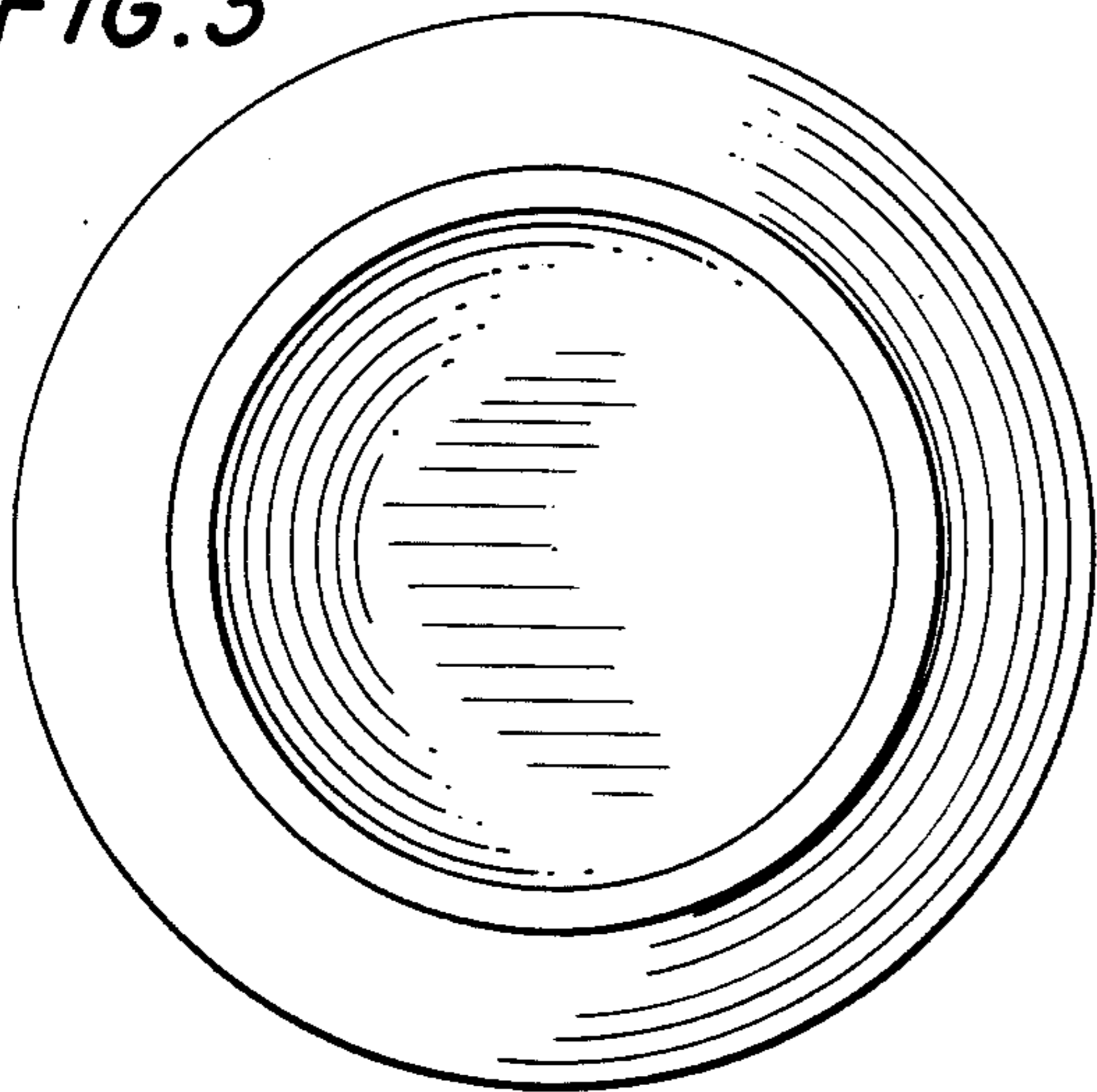


FIG. 4

