

[54] MODULAR WIDTH ADJUSTABLE, SPRING  
FED DISPLAY DISPENSING ELEMENT

3,357,597 12/1967 Groff ..... 221/279  
3,480,181 11/1969 Bauer ..... 221/279  
3,767,084 10/1973 Bayha ..... 221/279

[75] Inventor: Ted I. Kingsford, Memphis, Tenn.

[73] Assignee: Plough, Inc., Memphis, Tenn.

[\*\*] Term: 14 Years

[21] Appl. No.: 821,050

[22] Filed: Aug. 1, 1977

[51] Int. Cl. .... D6-06

[52] U.S. Cl. .... D6/191

[58] Field of Search ..... D6/85, 191; 312/71;  
221/276, 279, 280

[56] References Cited

U.S. PATENT DOCUMENTS

2,079,754 5/1937 Waxgiser ..... 221/279

OTHER PUBLICATIONS

Plough Inc. Bulletin, "Aspergum Spring-Fed Unit Display Suggestions", more than 1 yr. prior to 8/1/1977.

Primary Examiner—Bernard Ansher

Assistant Examiner—B. J. Bullock

Attorney, Agent, or Firm—Stephen B. Coan

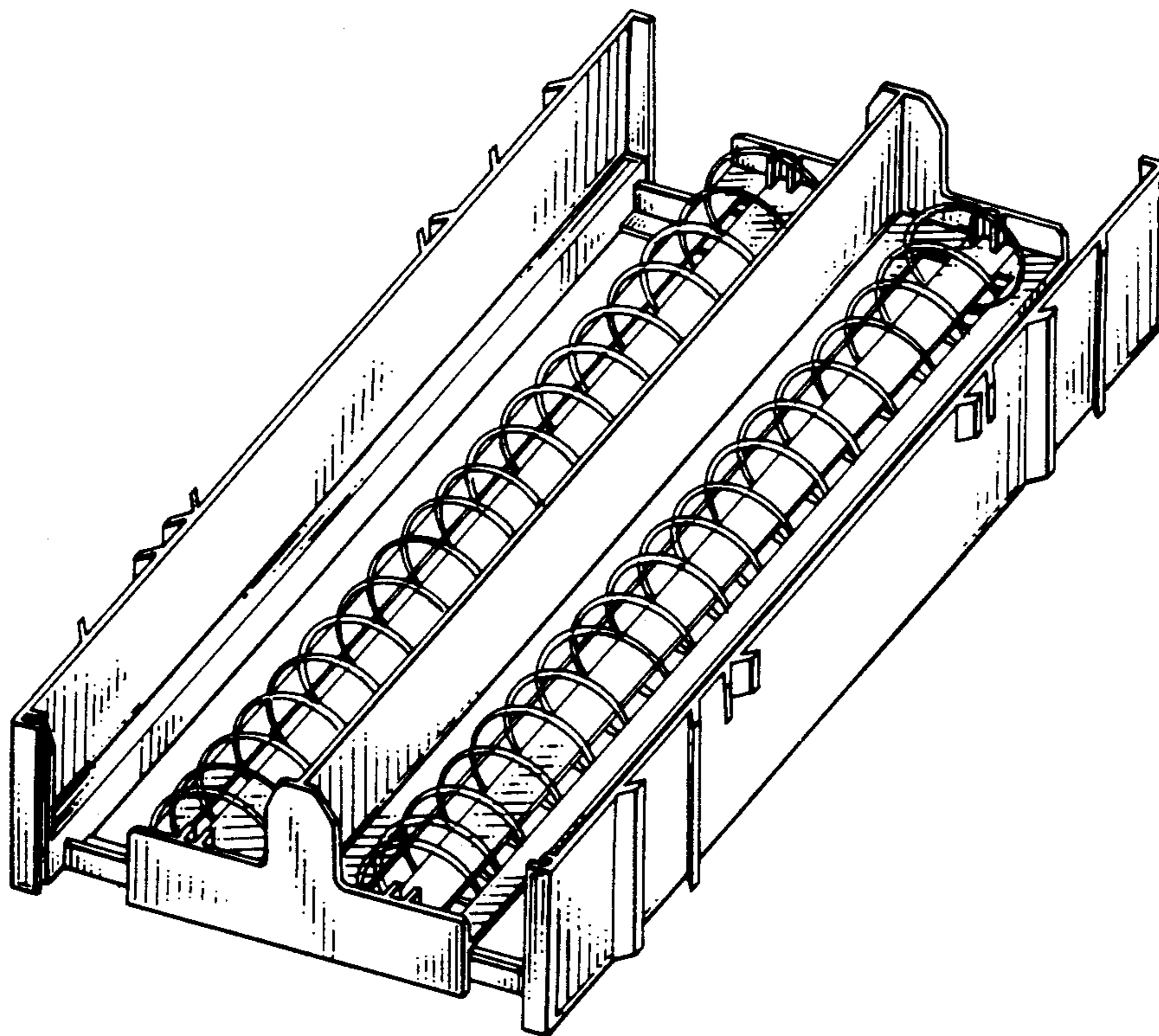
[57] CLAIM

The ornamental design for a modular width adjustable, spring fed display dispensing element, as shown.

DESCRIPTION

FIG. 1 is a top and front perspective view of a modular width adjustable, spring fed display dispensing element showing my new design;

FIG. 2 is a bottom and rear perspective view.



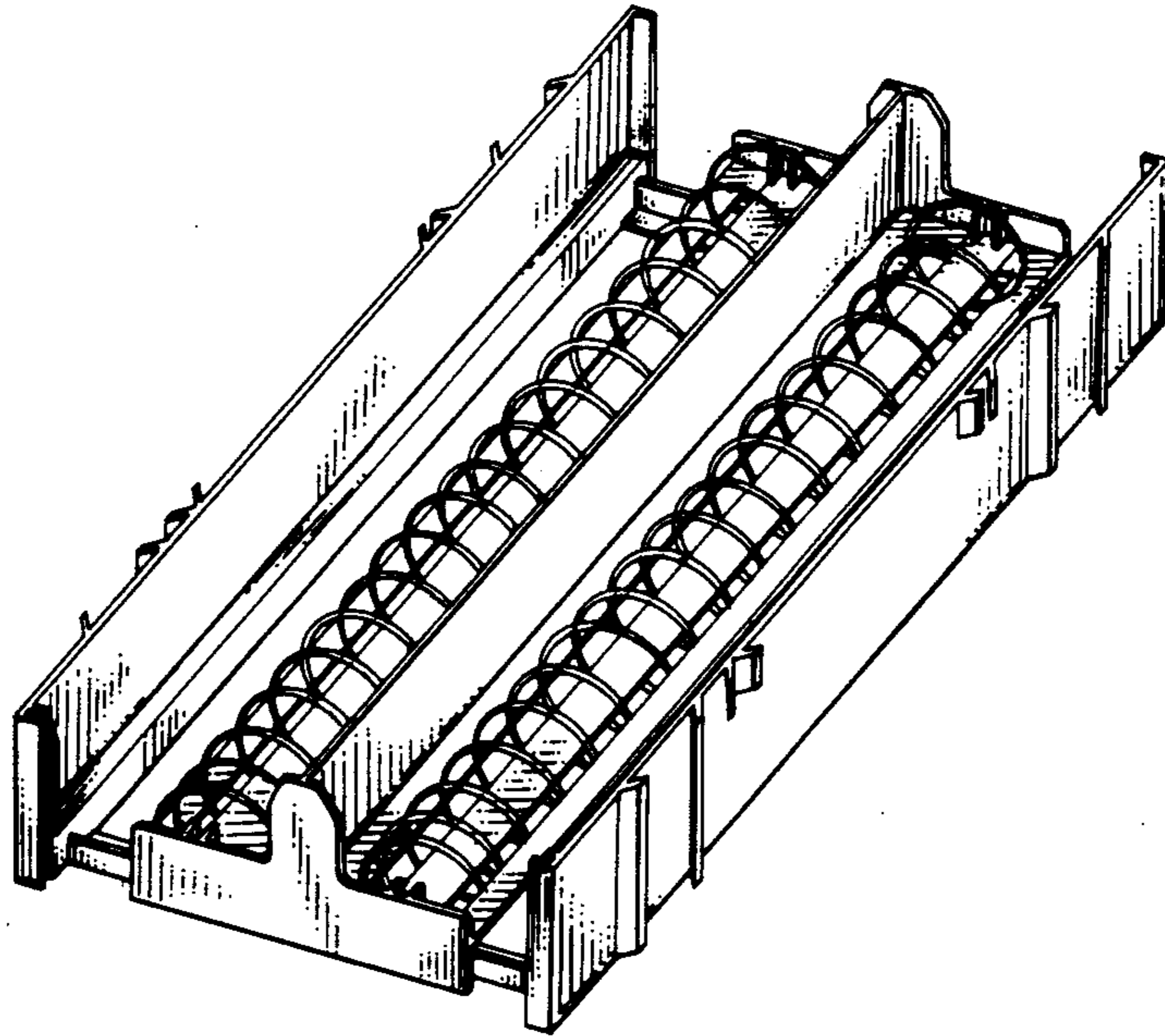


Fig. 1

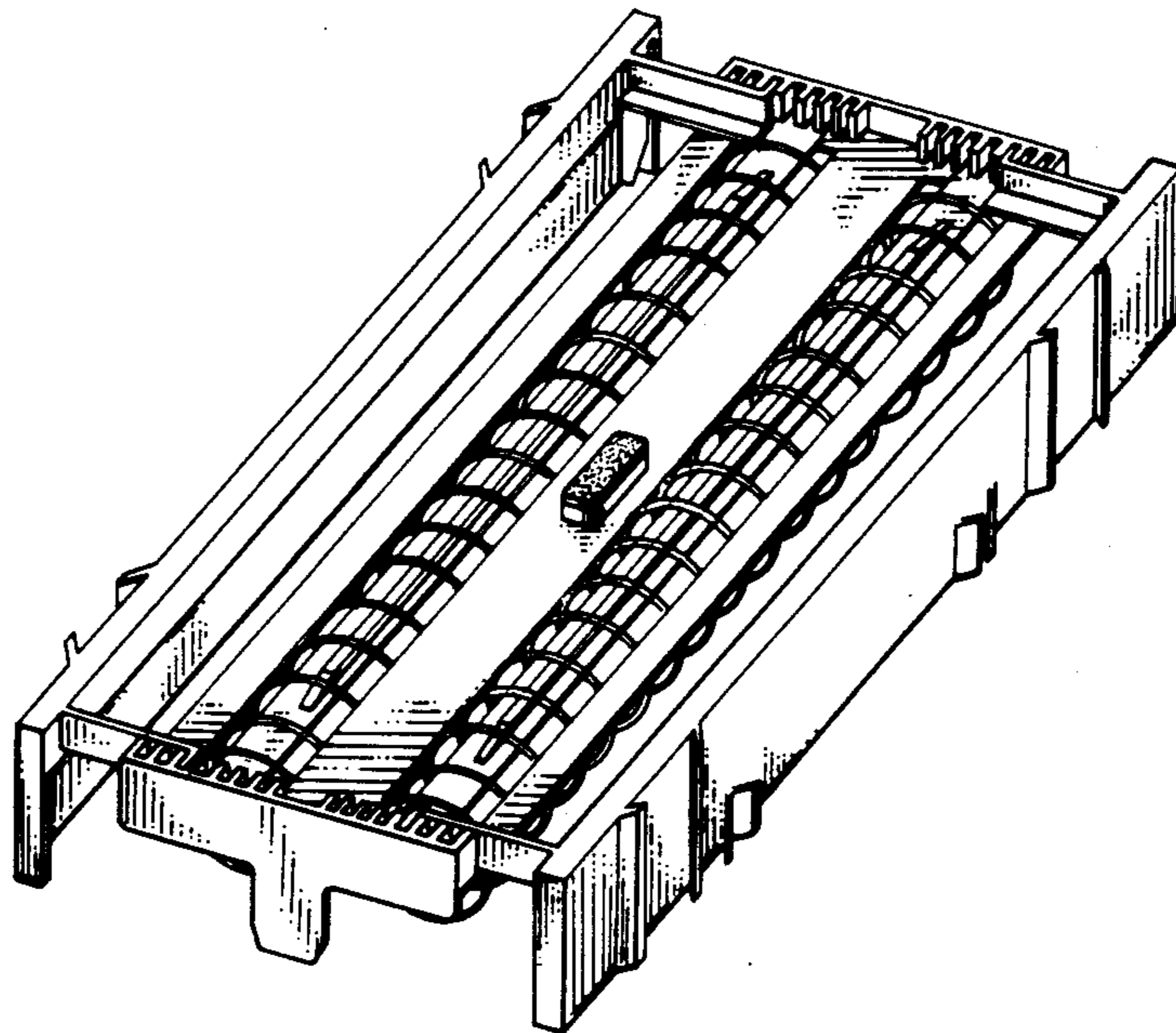


Fig. 2