

- [54] DISPLAY CASE
- [75] Inventor: Dennis A. Gajewski, West Bend, Wis.
- [73] Assignee: Amity Leather Products Co., West Bend, Wis.
- [\*\*] Term: 14 Years
- [21] Appl. No.: 857,376
- [22] Filed: Dec. 5, 1977
- [51] Int. Cl. D20-02; D6-04; D9-03
- [52] U.S. Cl. D6/172; D6/173; D9/231
- [58] Field of Search D6/167, 172; D9/222, D9/231; 312/114, 117, 118, 120, 121, 123, 124, 125, 128

3,998,509 12/1976 Hauser ..... D6/172

OTHER PUBLICATIONS

Harkin Affiliates Inc. Cat., p. 9, Box 1000.  
 Primary Examiner—Wallace R. Burke  
 Assistant Examiner—B. J. Bullock  
 Attorney, Agent, or Firm—James E. Nilles

[57] CLAIM

The ornamental design for a display case, substantially as shown and described.

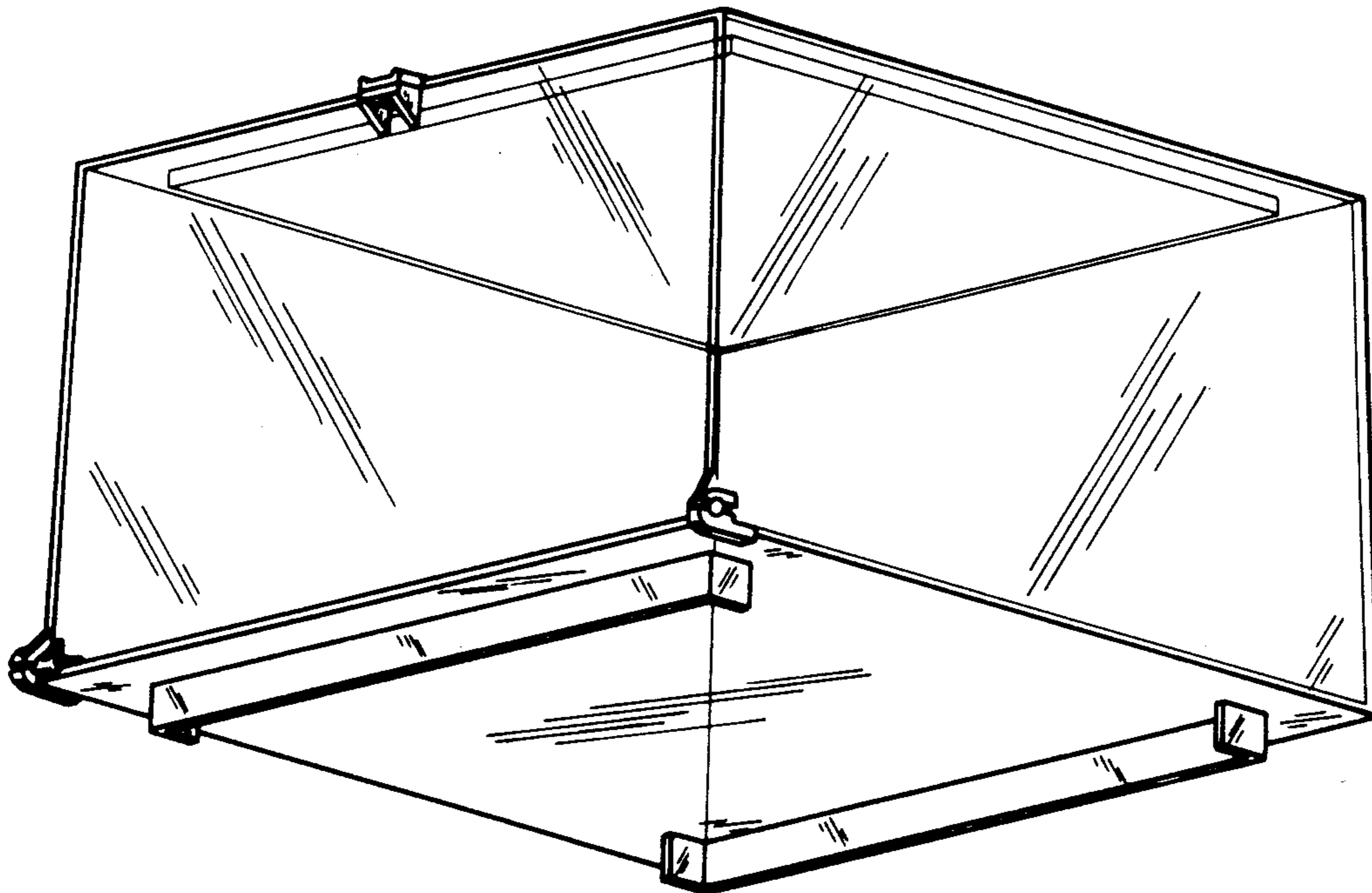
DESCRIPTION

FIG. 1 is a top rear perspective view of a display case showing my new design;  
 FIG. 2 is a bottom front perspective thereof;  
 FIG. 3 is a rear view thereof;  
 FIG. 4 is a top view thereof;  
 FIG. 5 is a bottom view thereof;  
 FIG. 6 is a side view taken from the left of FIG. 2;  
 FIG. 7 is a front view thereof; and  
 FIG. 8 is a side view taken from the right of FIG. 2.

[56] References Cited

U.S. PATENT DOCUMENTS

- D. 235,293 6/1975 Waitzman ..... D6/177
- 1,255,407 2/1918 Goetz ..... 312/114



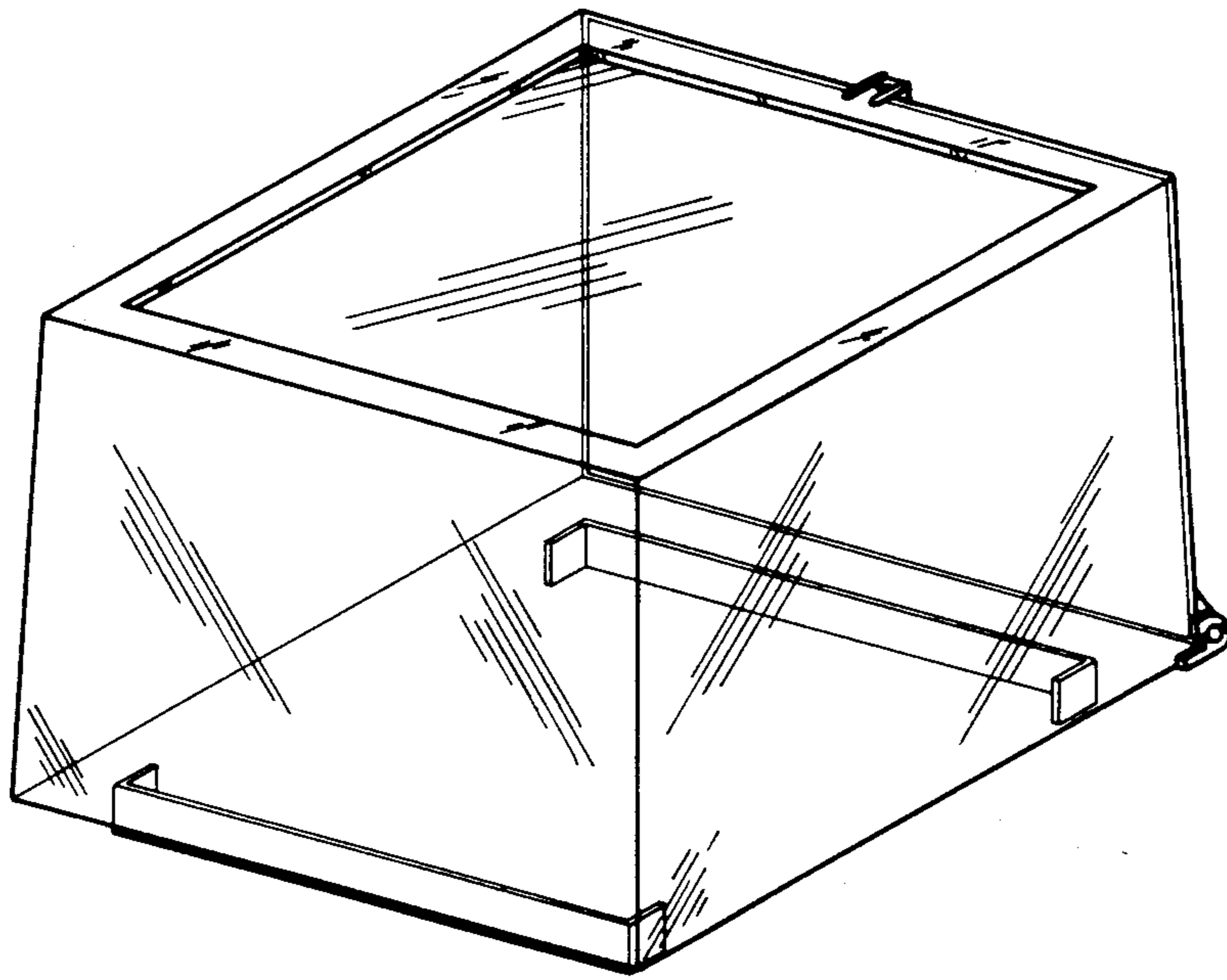


FIG. 1

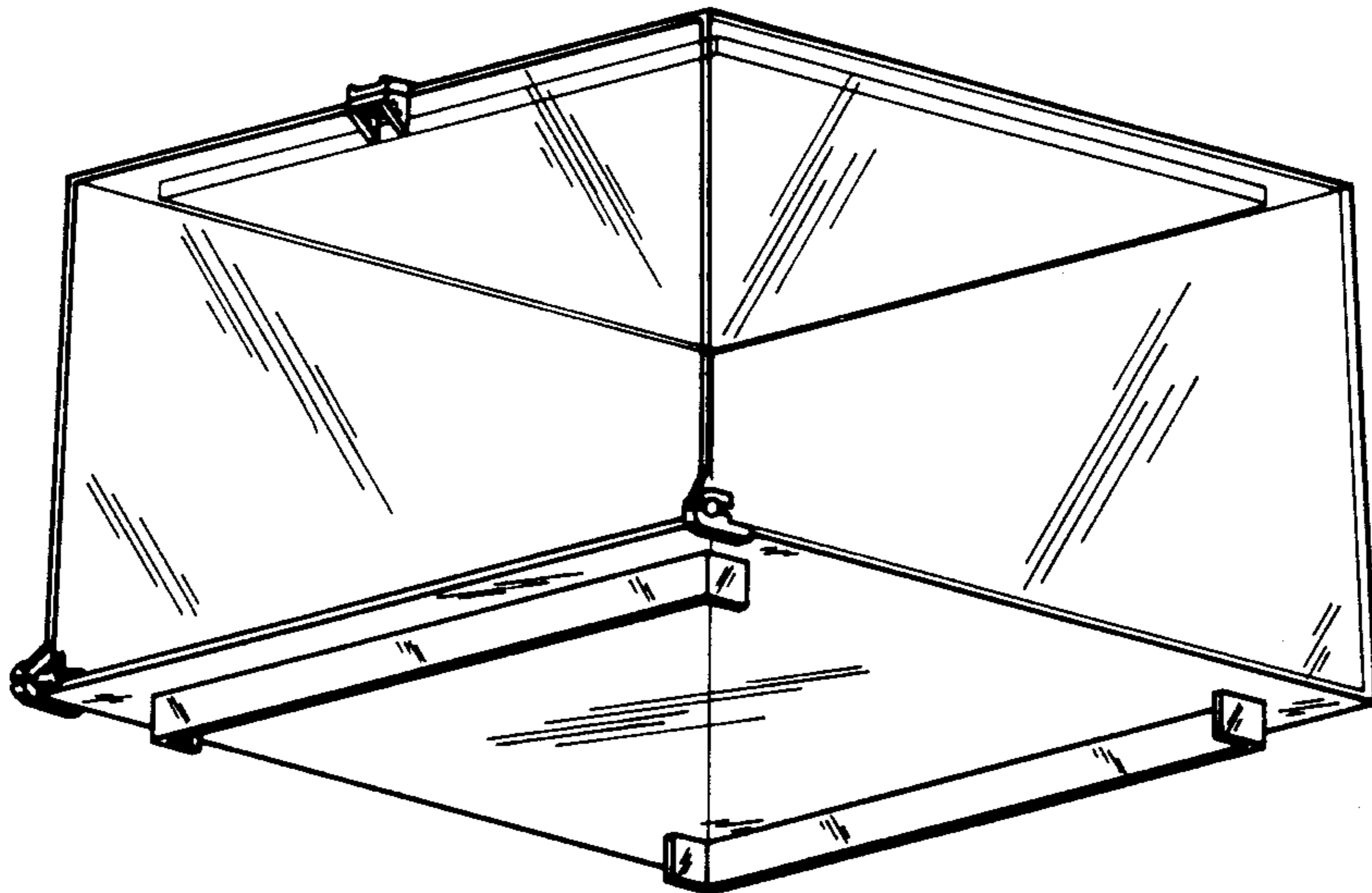


FIG. 2

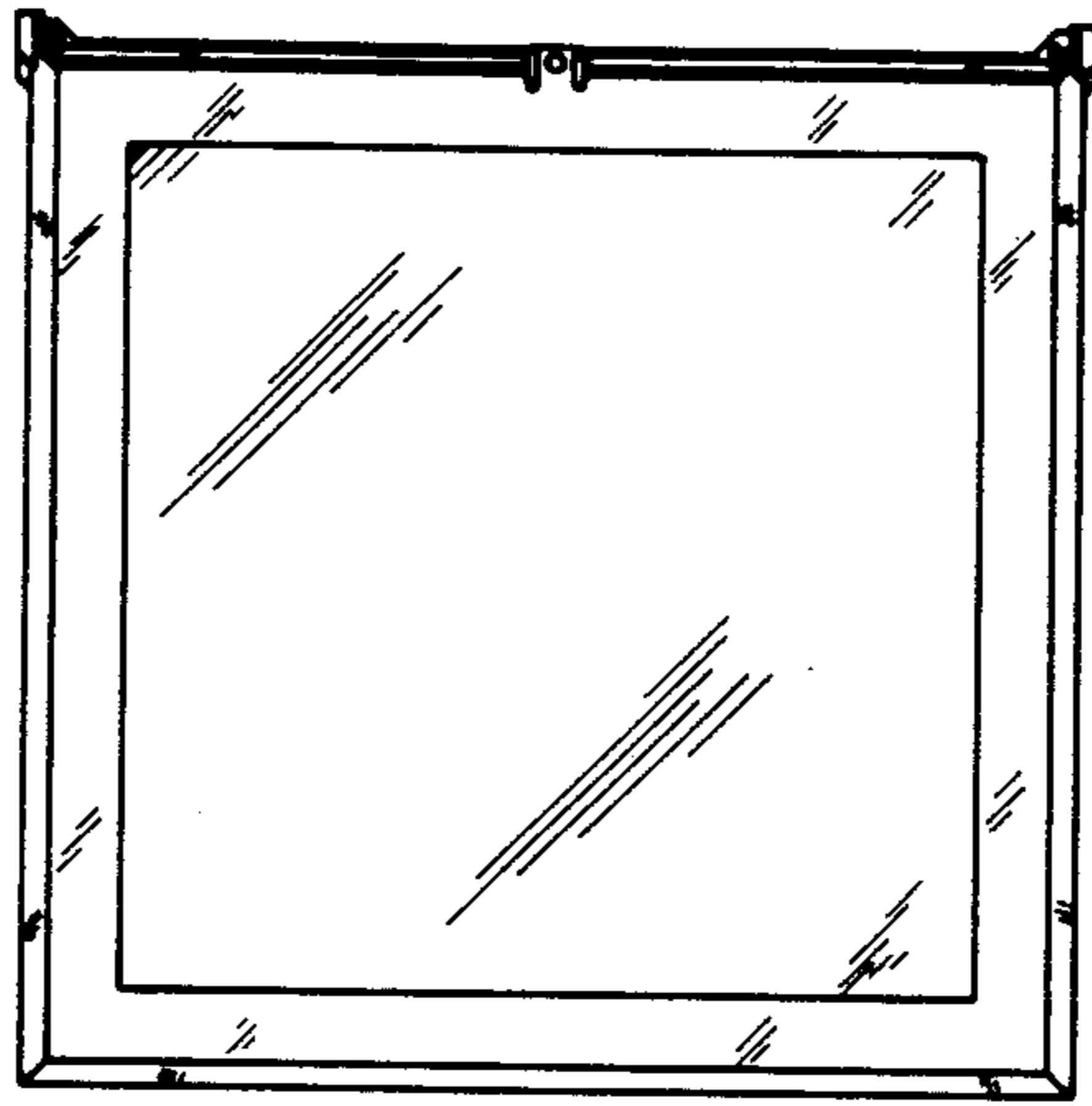


FIG. 4

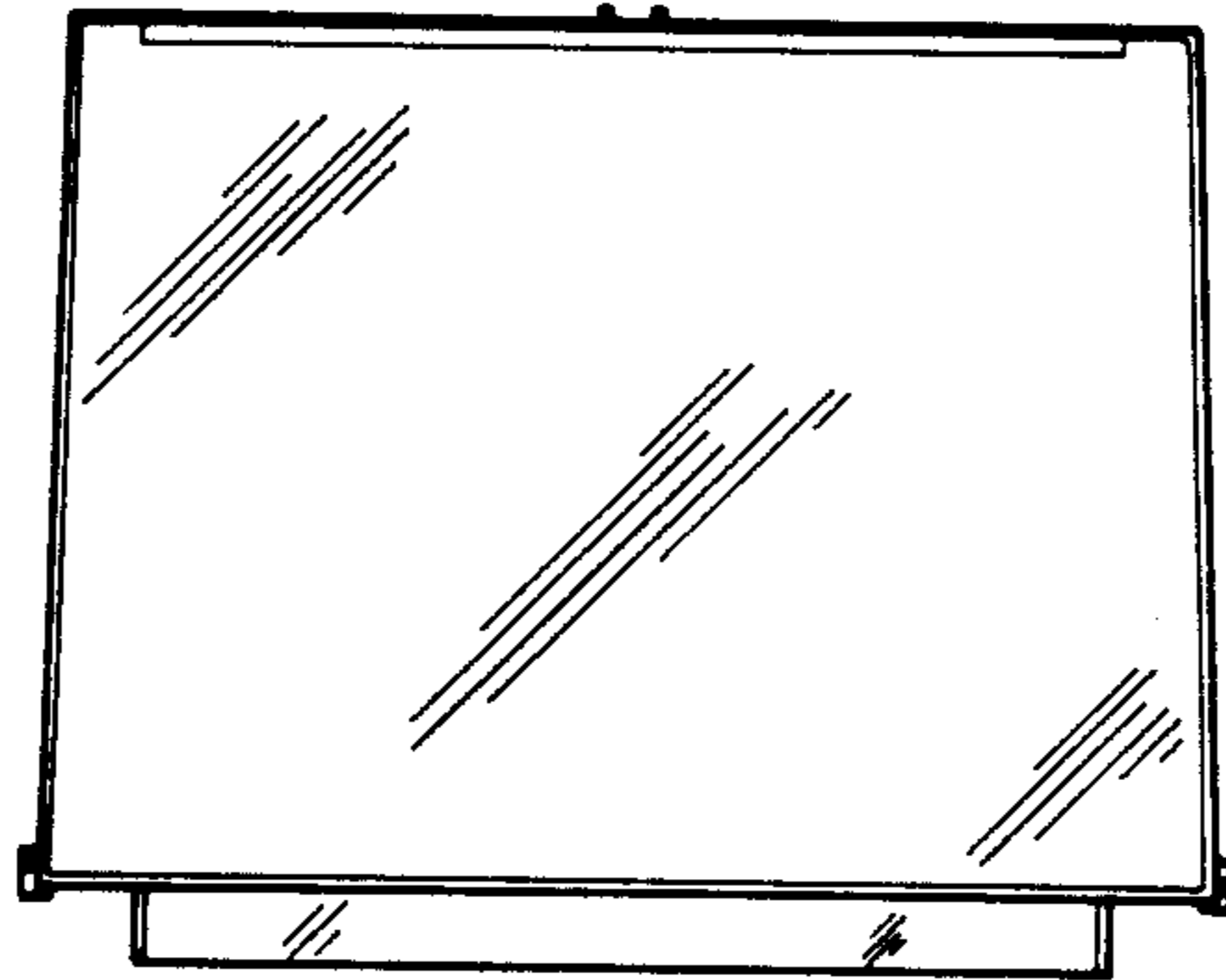


FIG. 3

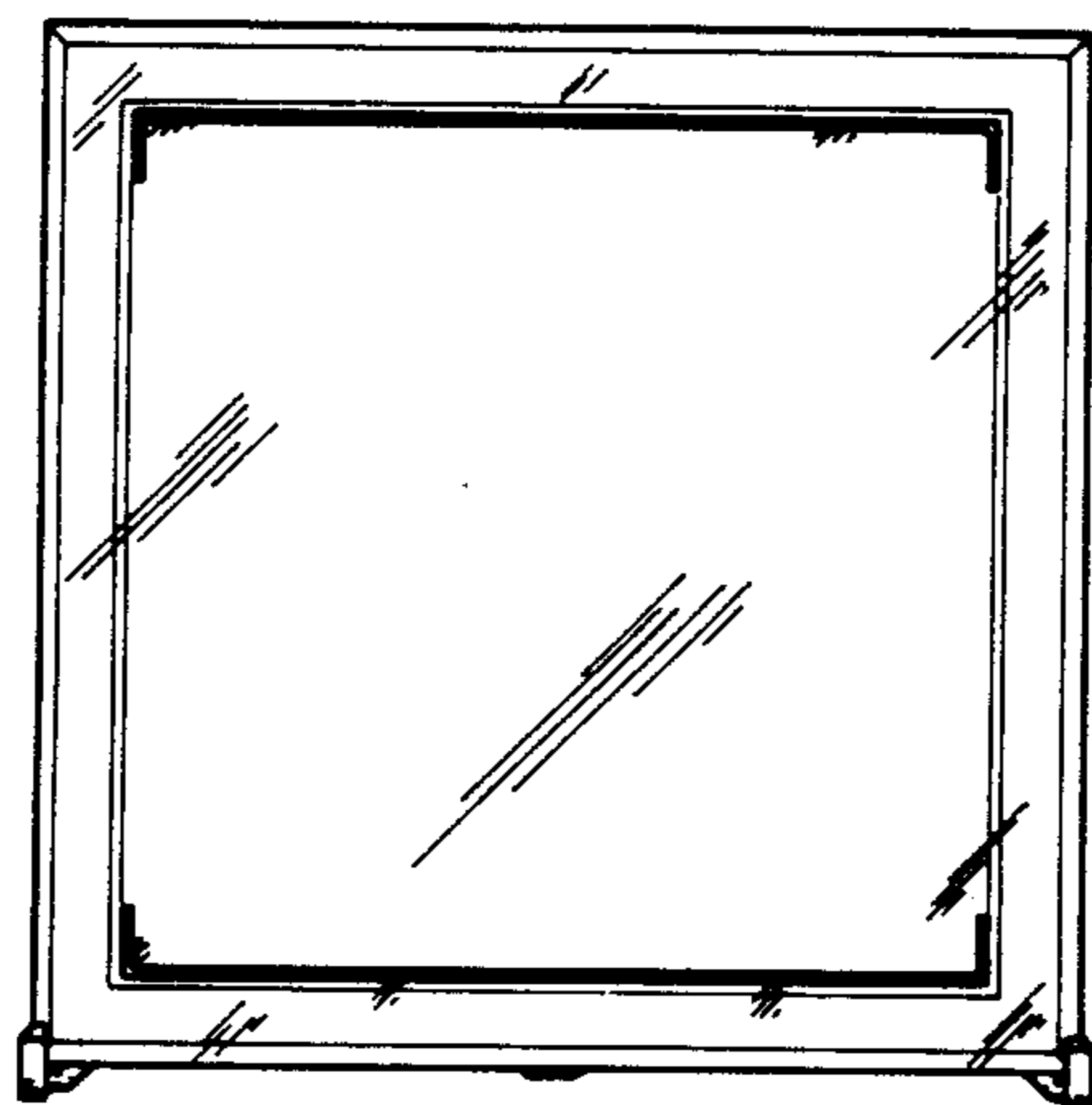


FIG. 5

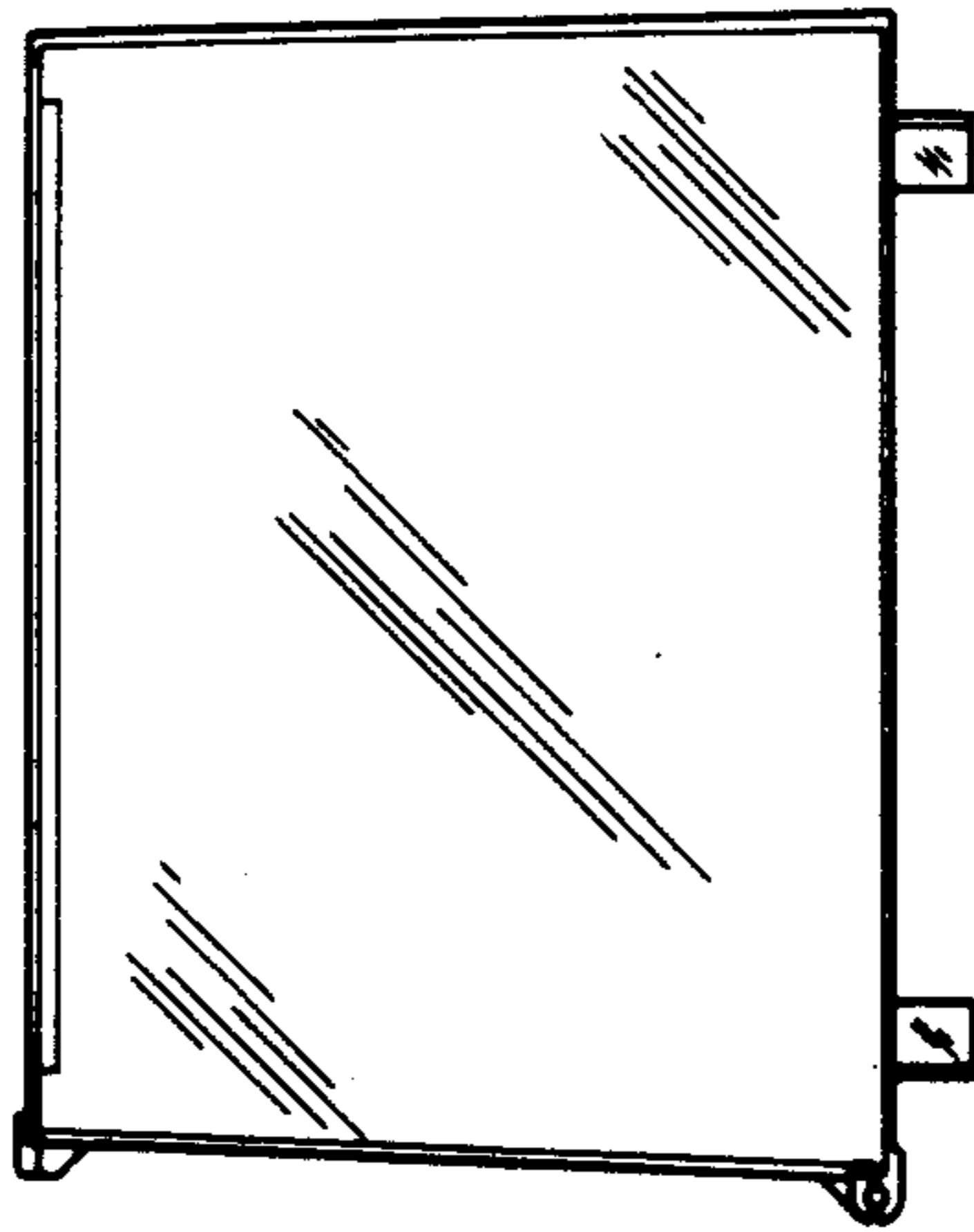


FIG. 8

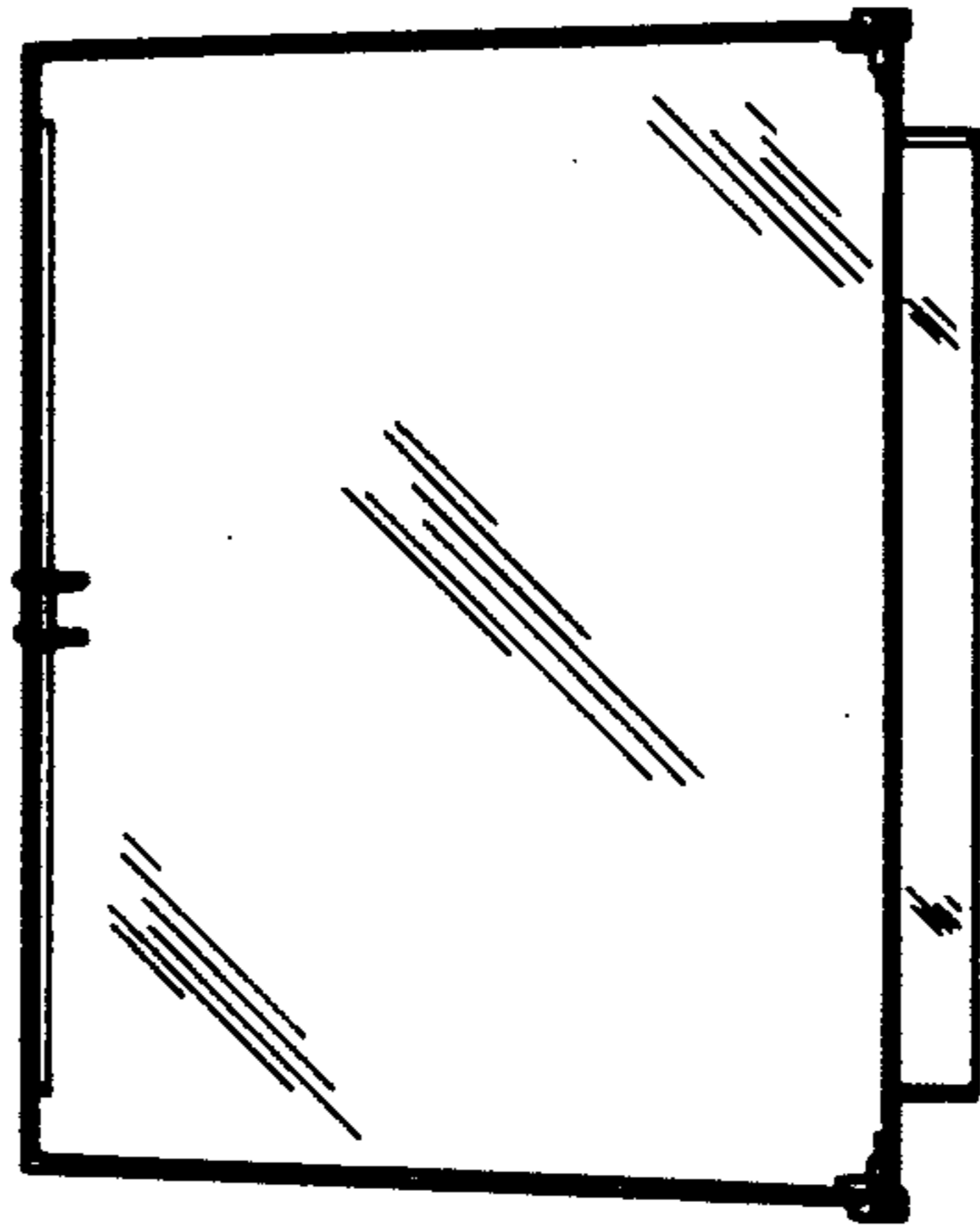


FIG. 7

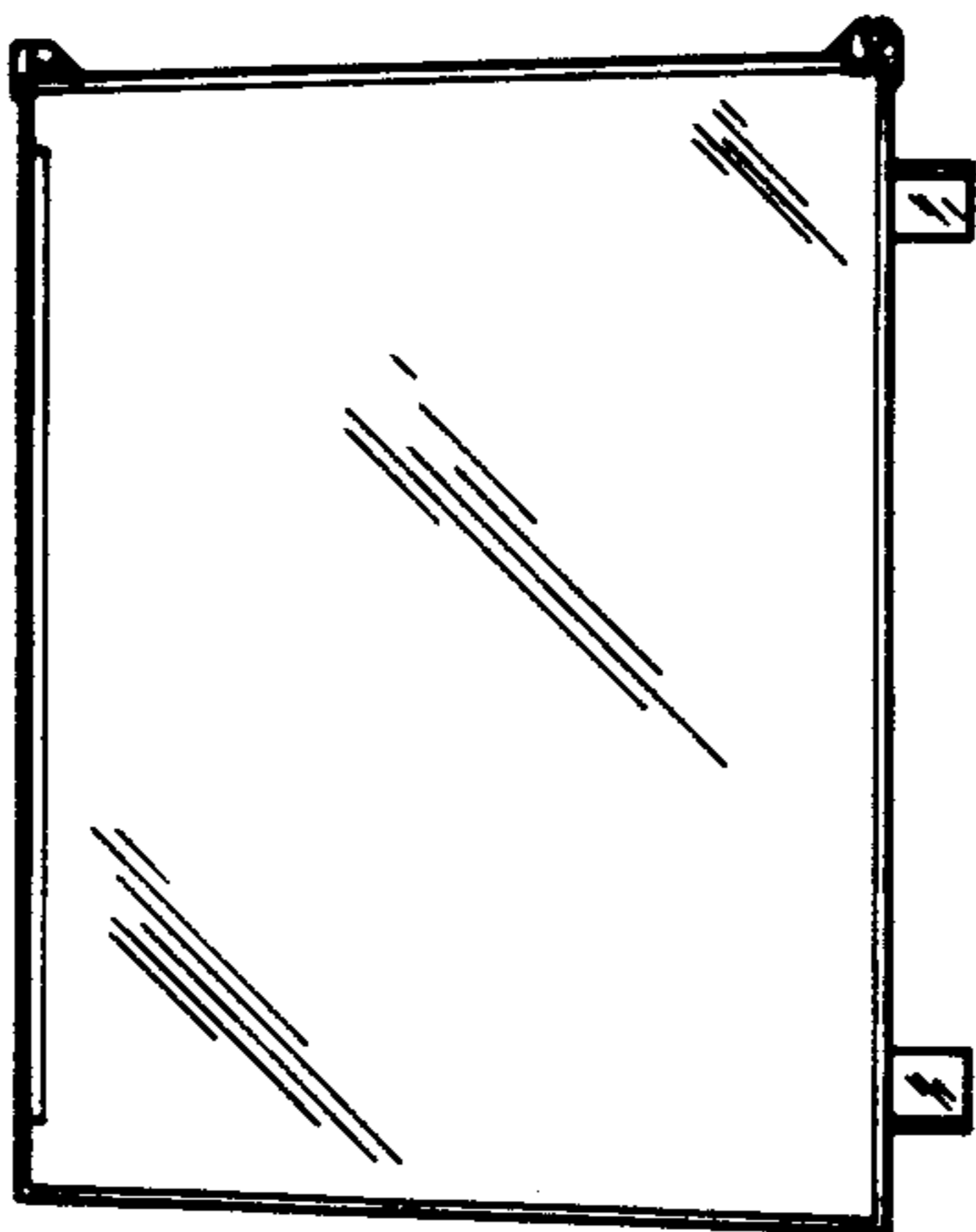


FIG. 6