

- [54] **HOLDER FOR ROLLED PAPER**
- [76] Inventor: **Dan L. Pool**, 5524 N. 39th Ave.,
Phoenix, Ariz. 85019
- [**] Term: **14 Years**
- [21] Appl. No.: **944,627**
- [22] Filed: **Sep. 21, 1978**
- [51] Int. Cl. **D20-02; D23-02**
- [52] U.S. Cl. **D6/97; D6/96**
- [58] Field of Search **D6/86-94,**
D6/96-103, 113, 114; 206/389, 391, 394, 407;
211/87, 88, 16, 105.1, 123; 242/55.2, 55.3,
55.42, 55.53, 55.54, 55.55, 137-139; 312/39, 40

- [56] **References Cited**
- U.S. PATENT DOCUMENTS**
- 1,687,819 10/1928 Worthington 242/55.2
- 1,692,059 11/1928 Starner 211/16
- 3,346,208 10/1967 Hoffman et al. 242/55.2

Primary Examiner—Wallace R. Burke

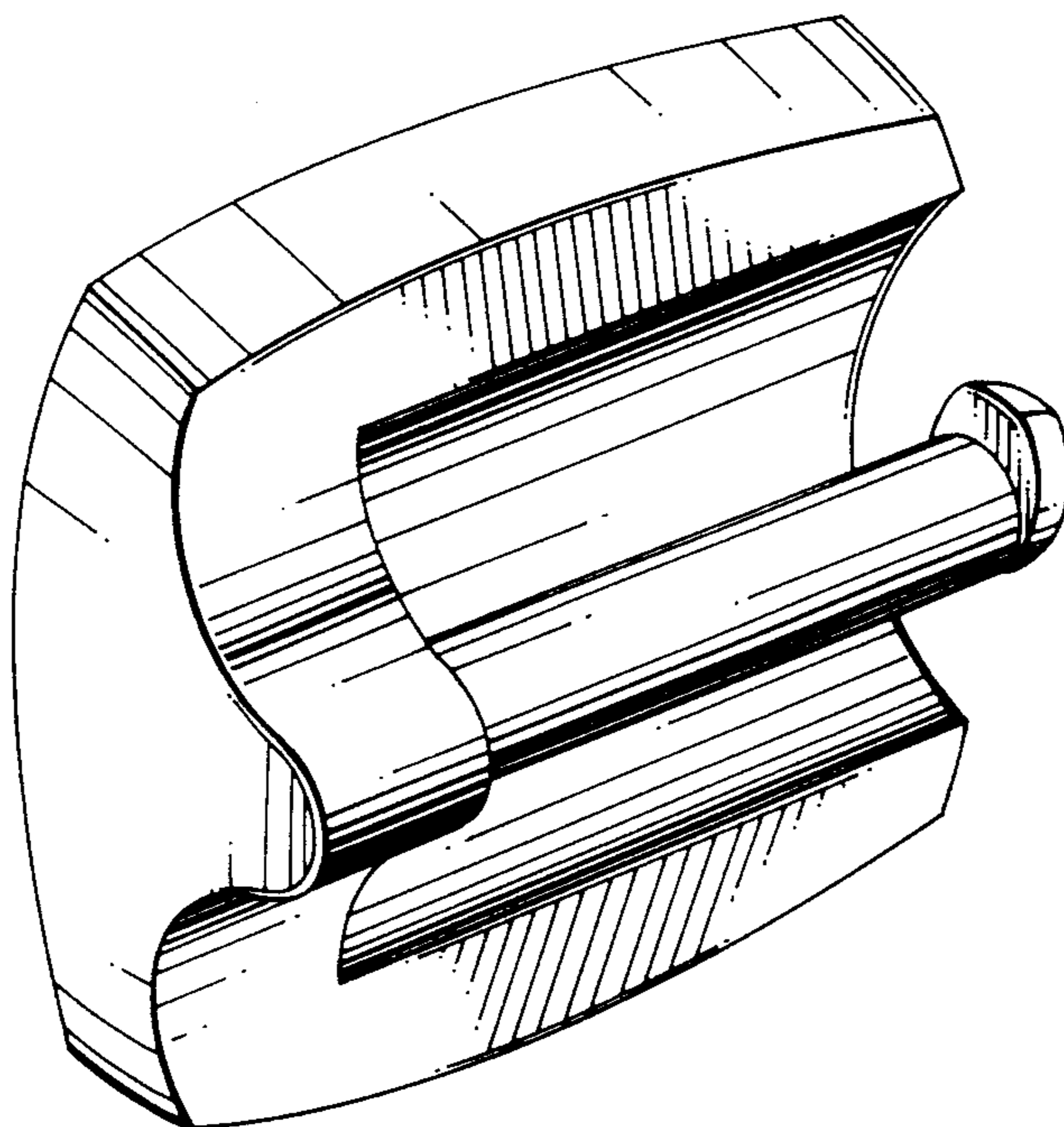
Assistant Examiner—B. J. Bullock
Attorney, Agent, or Firm—Don J. Flickinger

[57] **CLAIM**

The ornamental design for a holder for rolled paper, as shown and described.

DESCRIPTION

FIG. 1 is a front perspective view of a holder for rolled paper showing my new designs;
 FIG. 2 is a reduced rear perspective view of FIG. 1;
 FIG. 3 is a side elevational view taken from the right of FIG. 1;
 FIG. 4 is a top plan view of FIG. 1;
 FIG. 5 is a reduced size elevational view taken from the left side of FIG. 1;
 FIG. 6 is a perspective view of a second embodiment of the design of FIG. 1;
 FIG. 7 is a top plan view of FIG. 6;
 FIG. 8 is a reduced rear perspective view of FIG. 6;
 FIG. 9 is a side elevational view taken from the left of FIG. 6; and
 FIG. 10 is a side elevational view taken from the right side of FIG. 6.



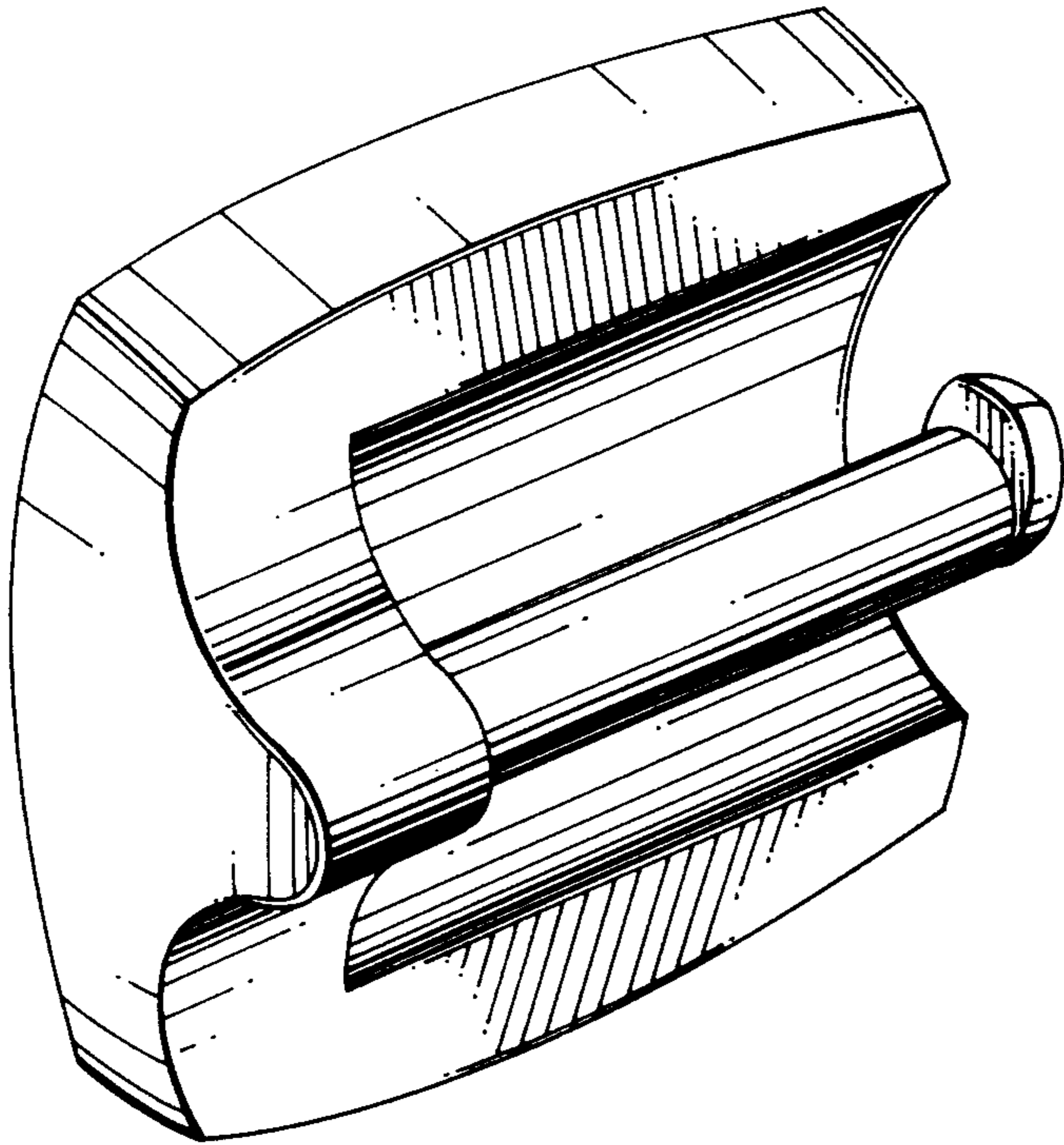


FIG. 1

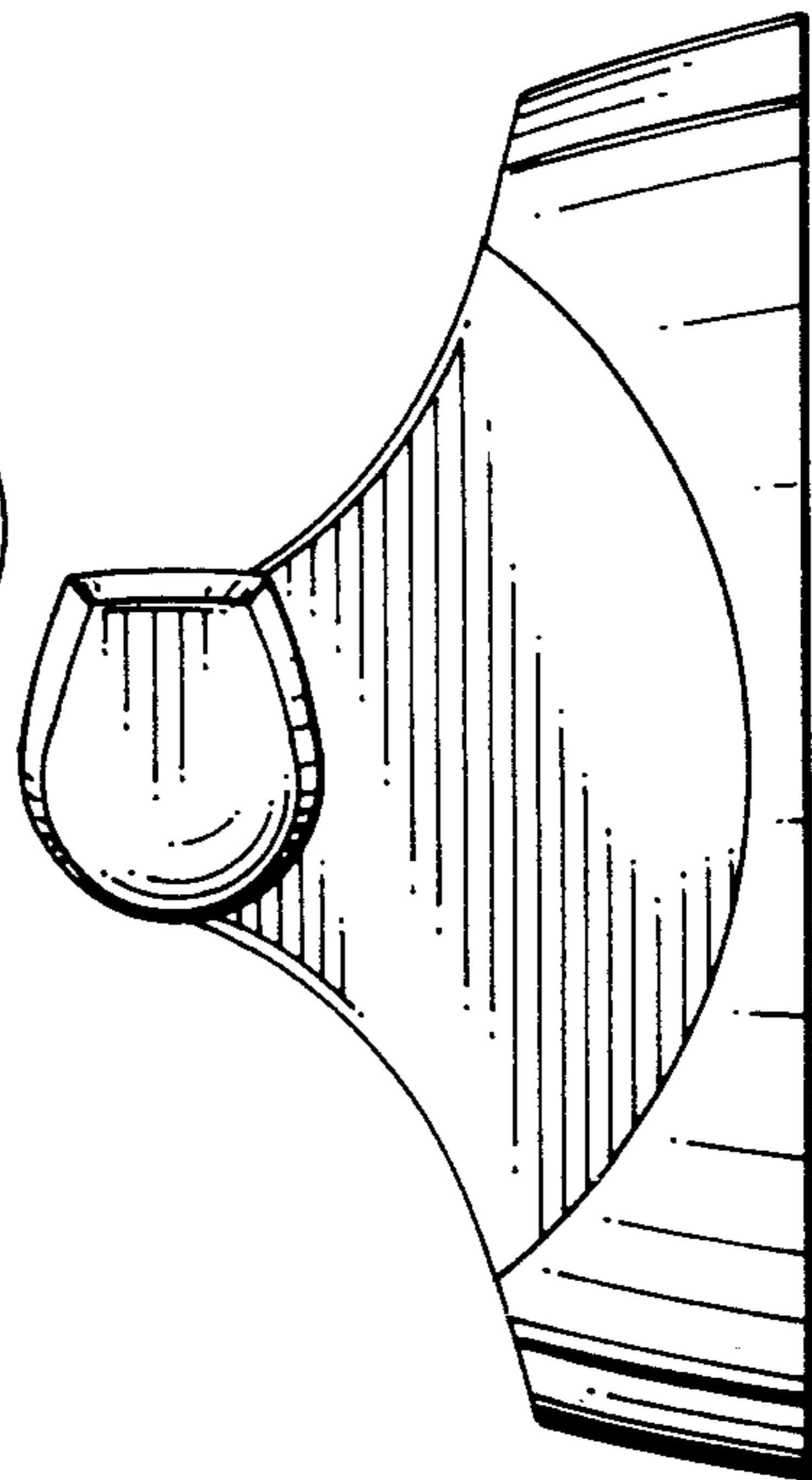


FIG. 3

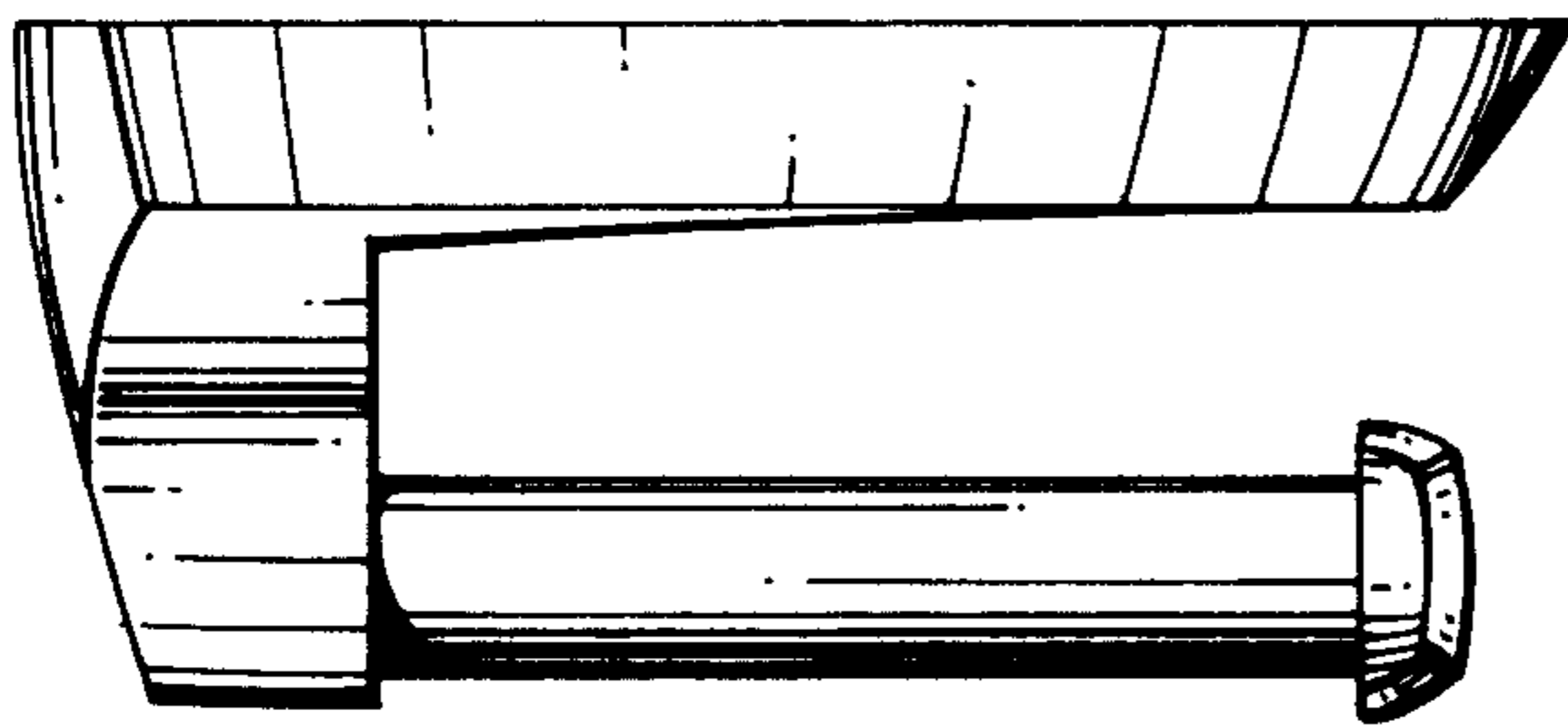


FIG. 4

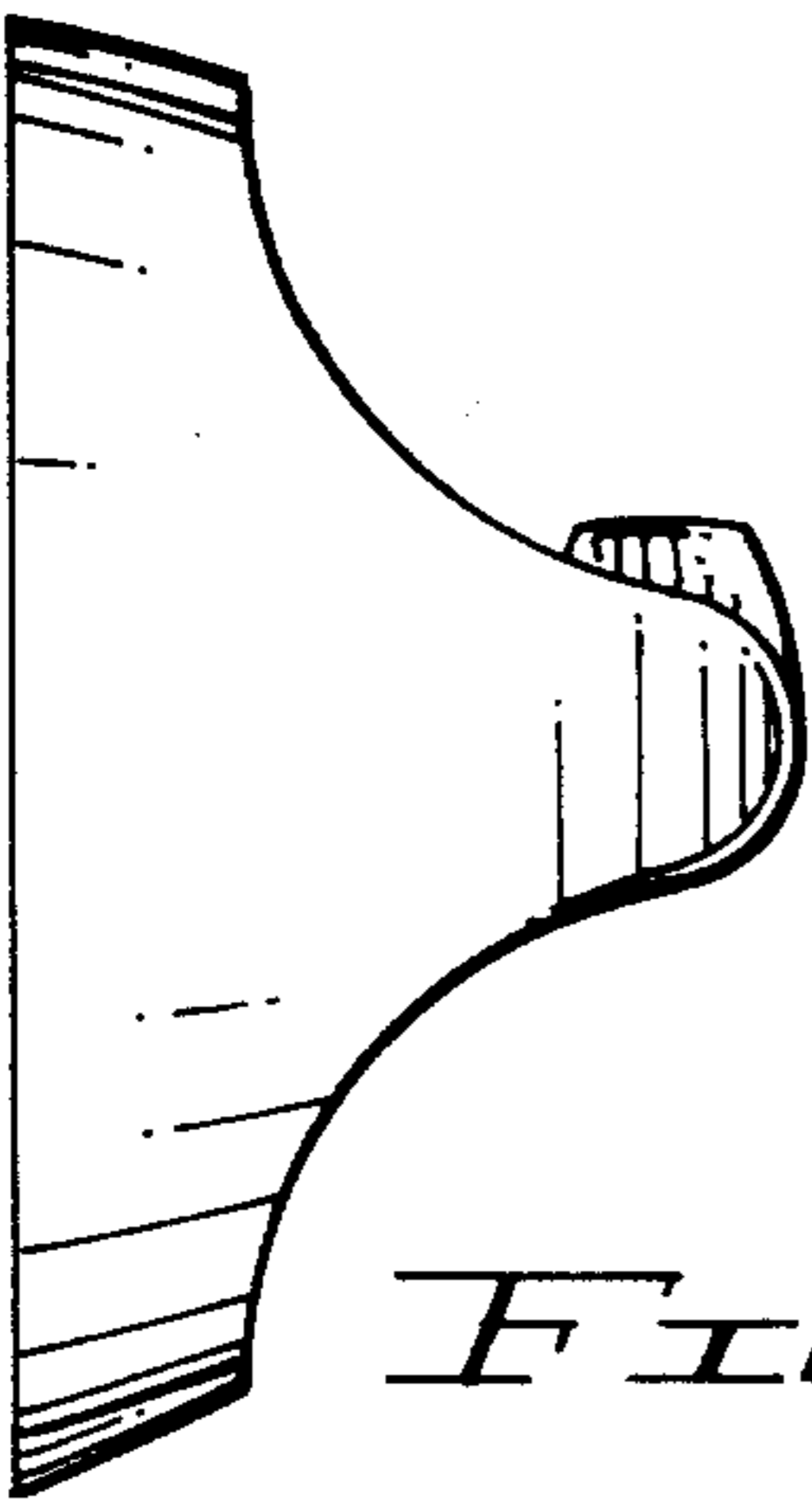


FIG. 5

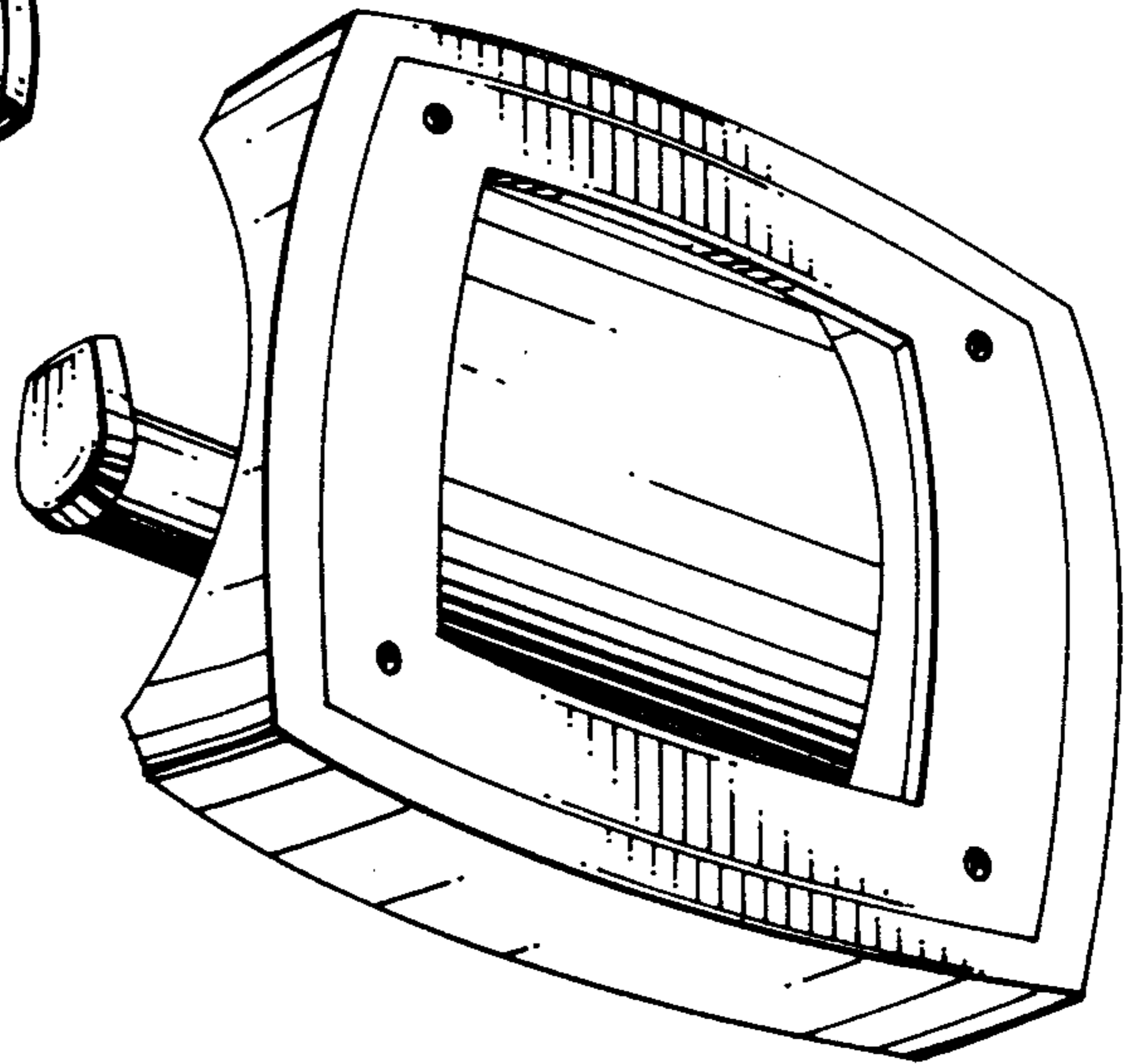


FIG. 2

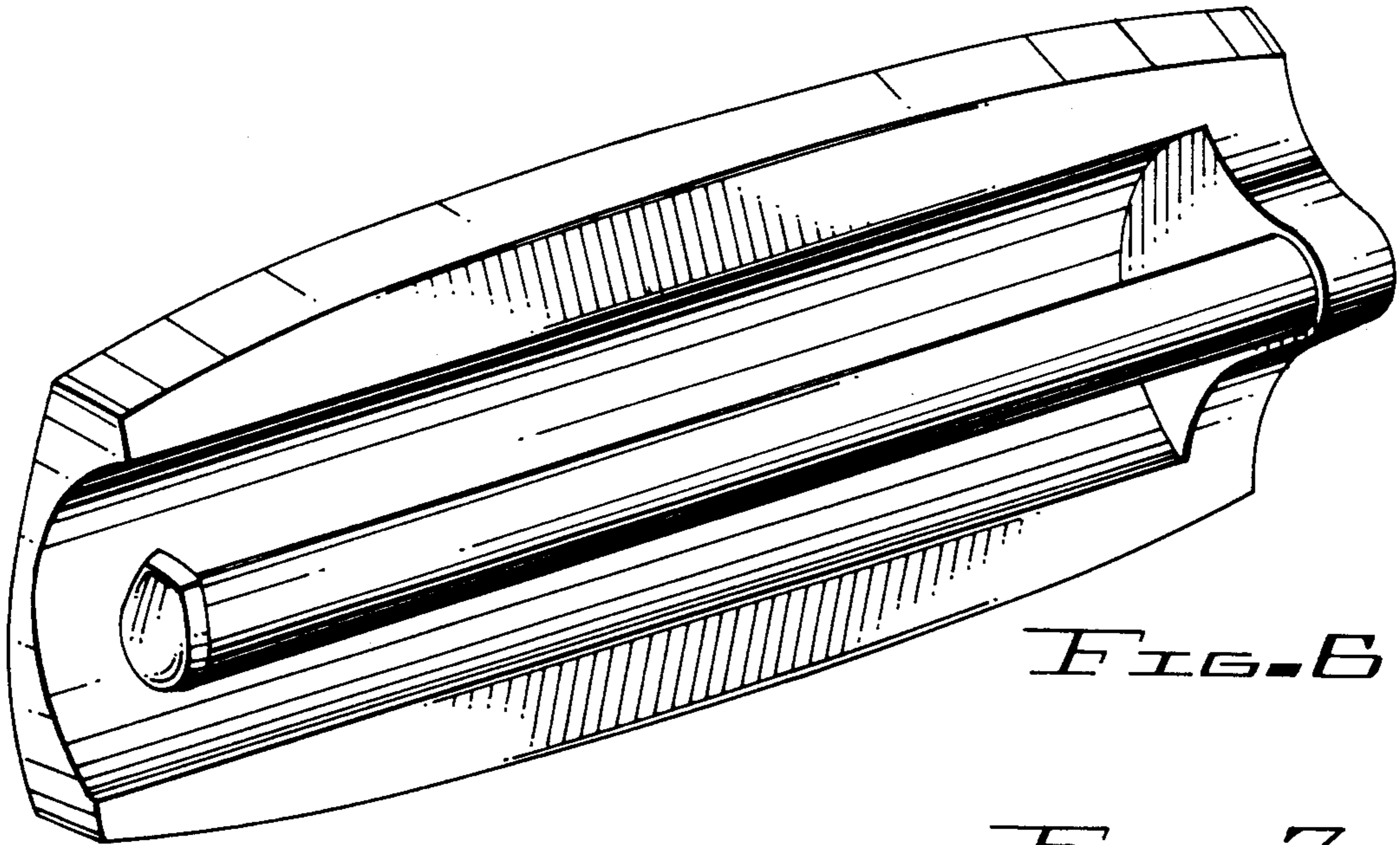


FIG. 6

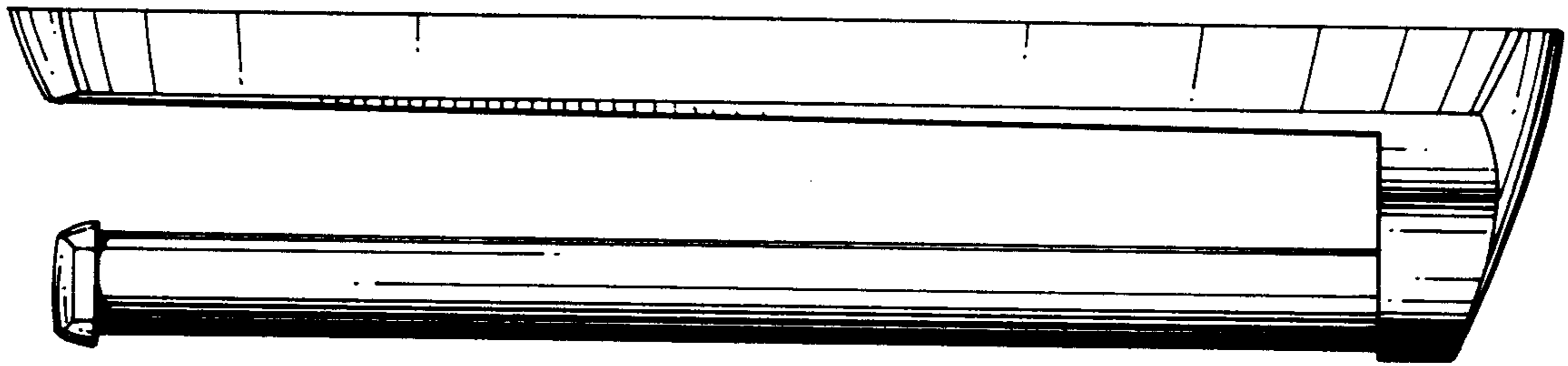


FIG. 7

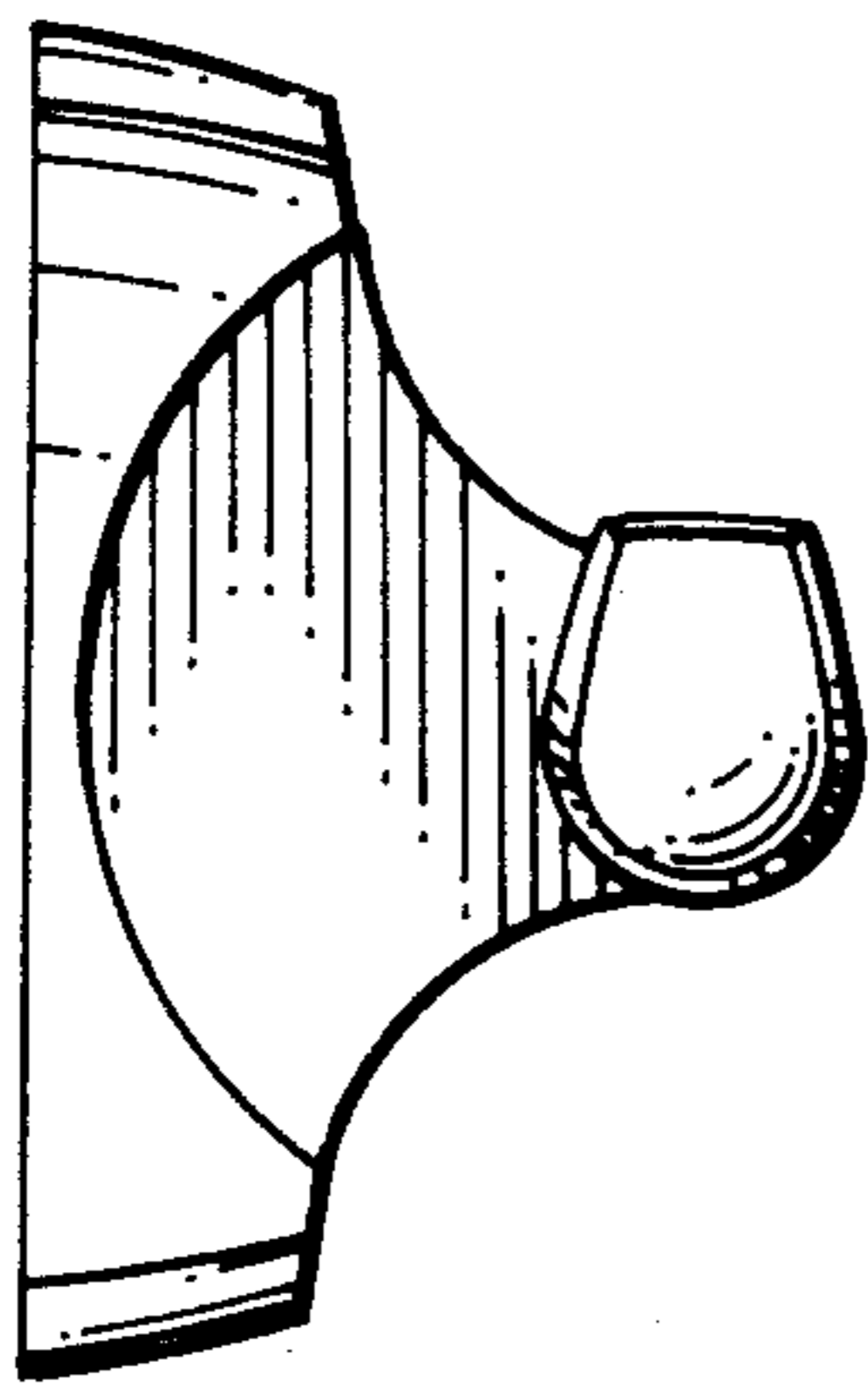


FIG. 9

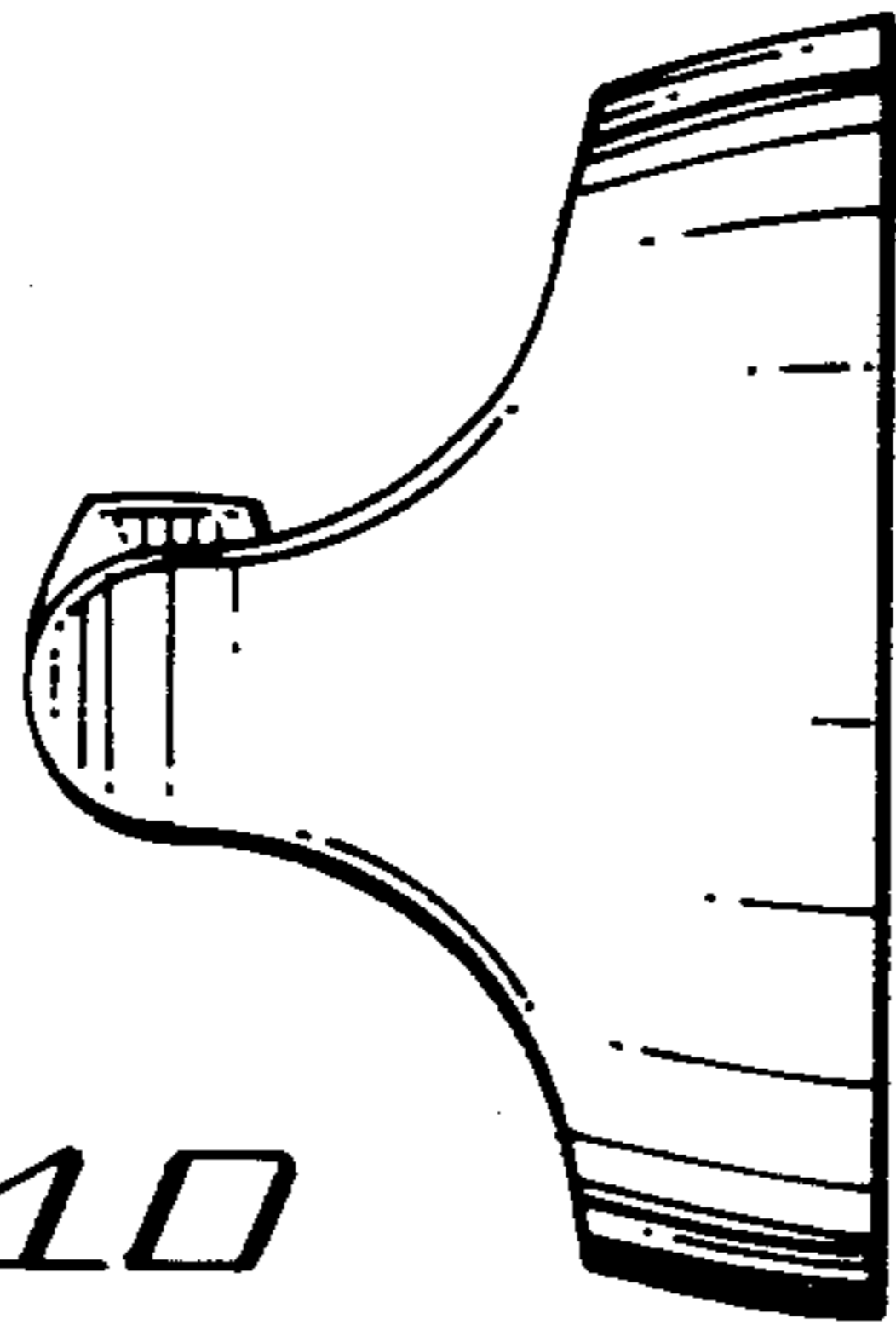


FIG. 10

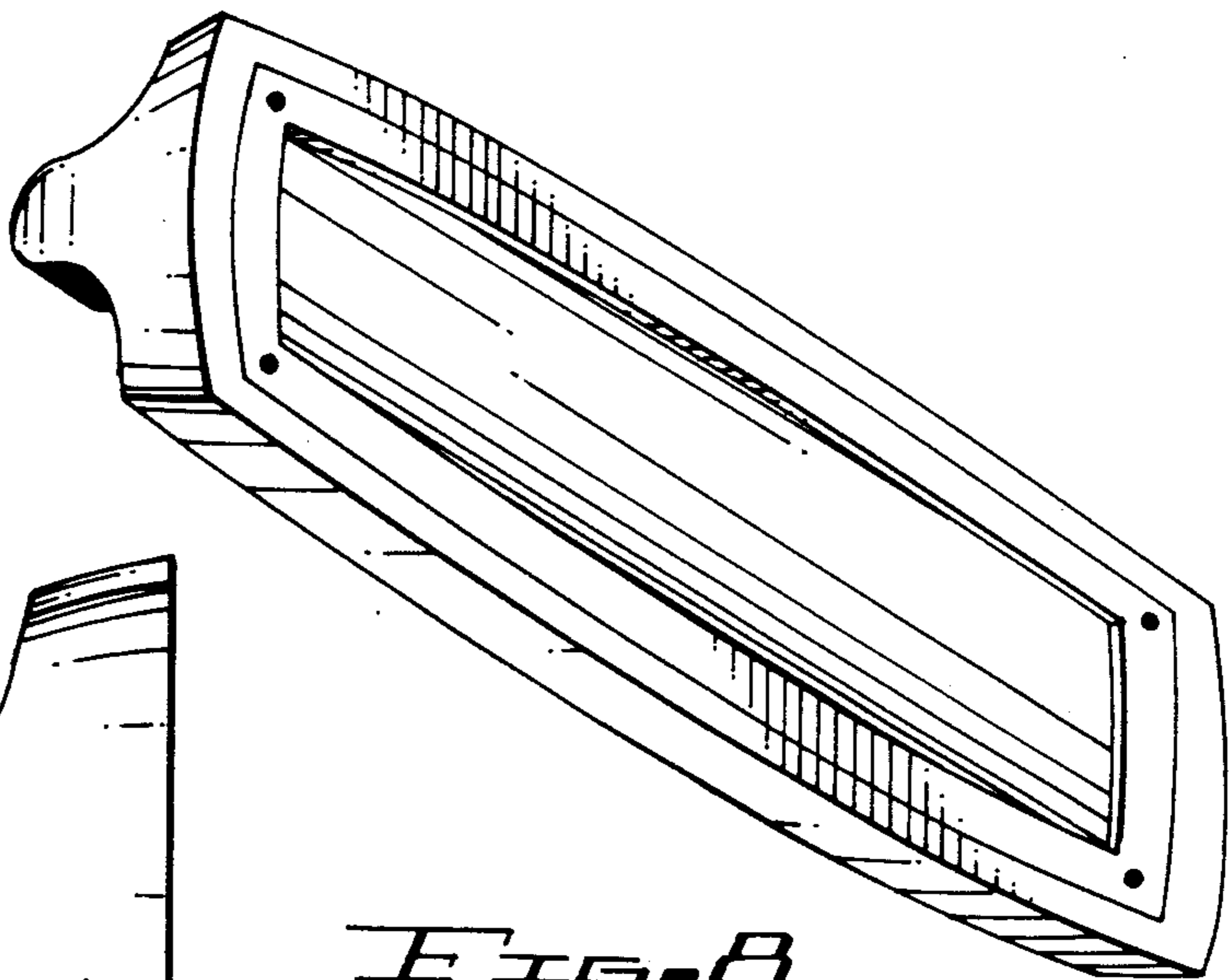


FIG. 8