

[54] FLASHLIGHT

[75] Inventor: Ronald R. Klawitter, Hermann, Mo.

[73] Assignee: Steven Manufacturing Company, Hermann, Mo.

[**] Term: 14 Years

[21] Appl. No.: 896,916

[22] Filed: Apr. 17, 1978

[51] Int. Cl. D26-02

[52] U.S. Cl. D48/24 R

[58] Field of Search D48/24 R, 24 A; 362/157, 183, 189, 190, 194, 195, 196, 197, 198, 199, 200, 201, 202, 203, 204, 205

[56] References Cited

U.S. PATENT DOCUMENTS

D. 209,615 12/1967 Doring et al. D48/24 R
3,441,730 4/1969 Doring et al. 362/183

Primary Examiner—Susan J. Lucas
Attorney, Agent, or Firm—Polster, Polster and Lucchesi

[57] CLAIM

The ornamental design for flashlight, as shown.

DESCRIPTION

FIG. 1 is a view in perspective, slightly larger than the remaining views, of a flashlight showing my new design;

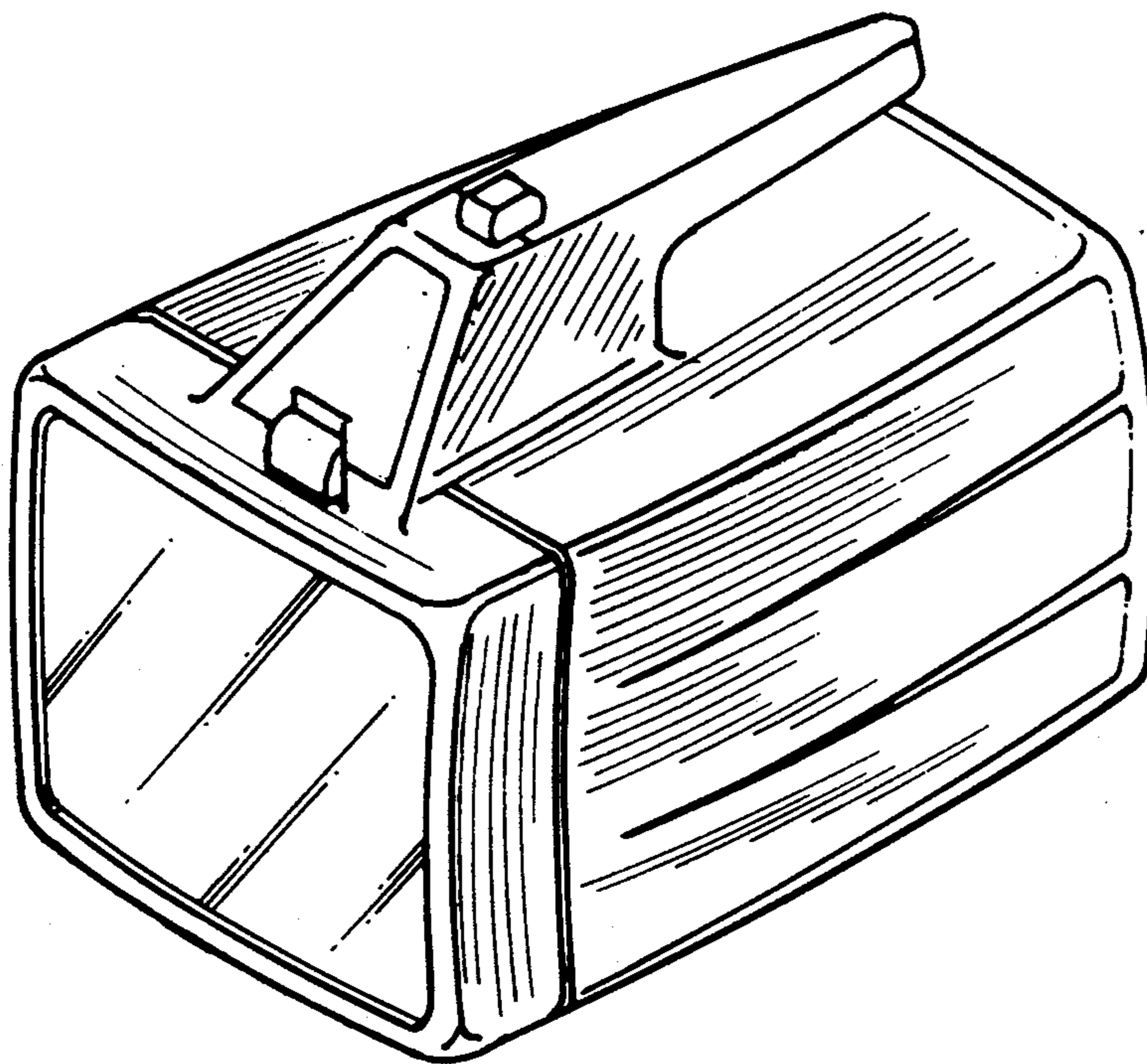
FIG. 2 is a top plan view;

FIG. 3 is a view in side elevation, both sides being the same;

FIG. 4 is a view in front elevation;

FIG. 5 is a view in rear elevation; and

FIG. 6 is a bottom plan view.



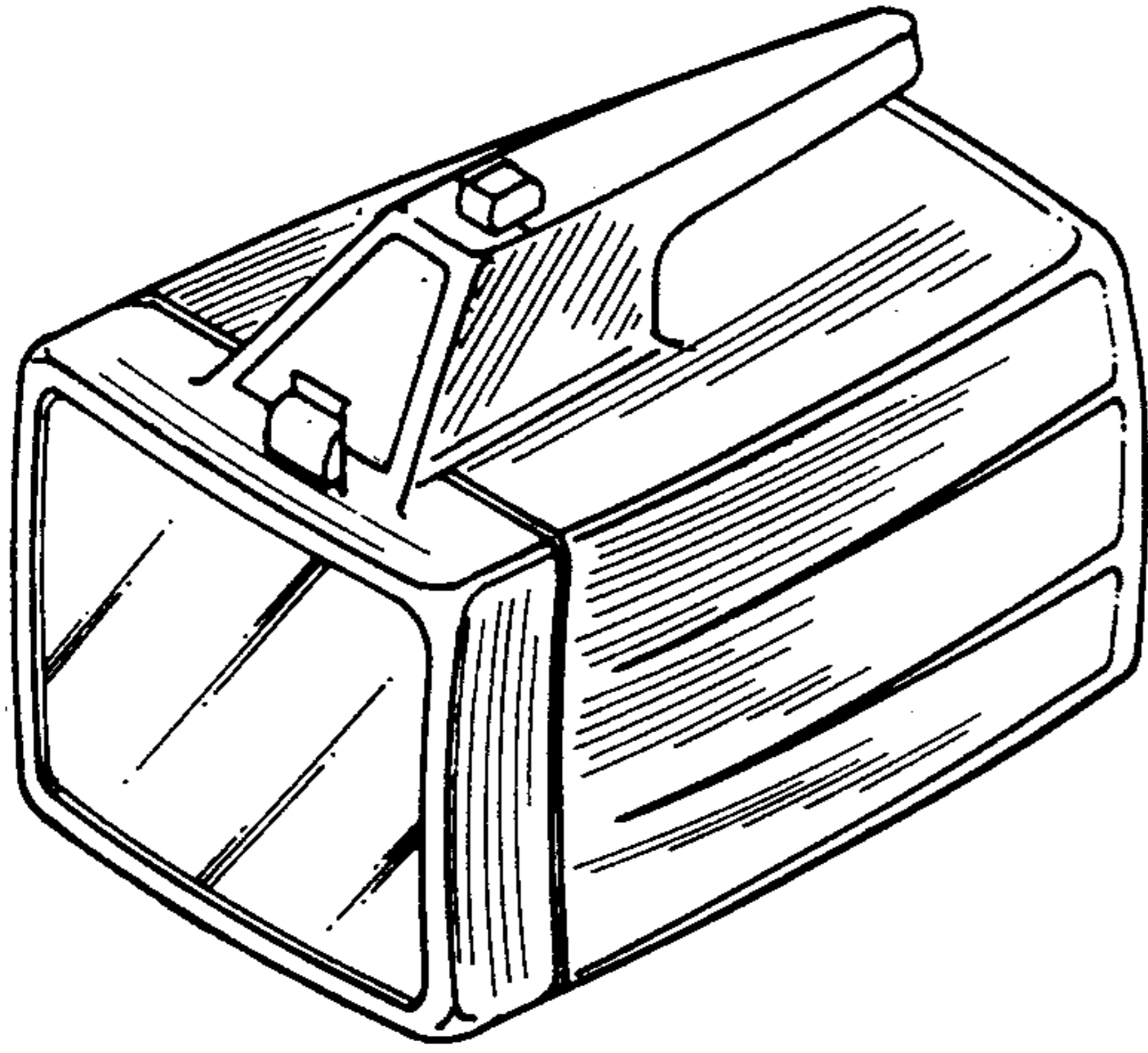


FIG. 1.

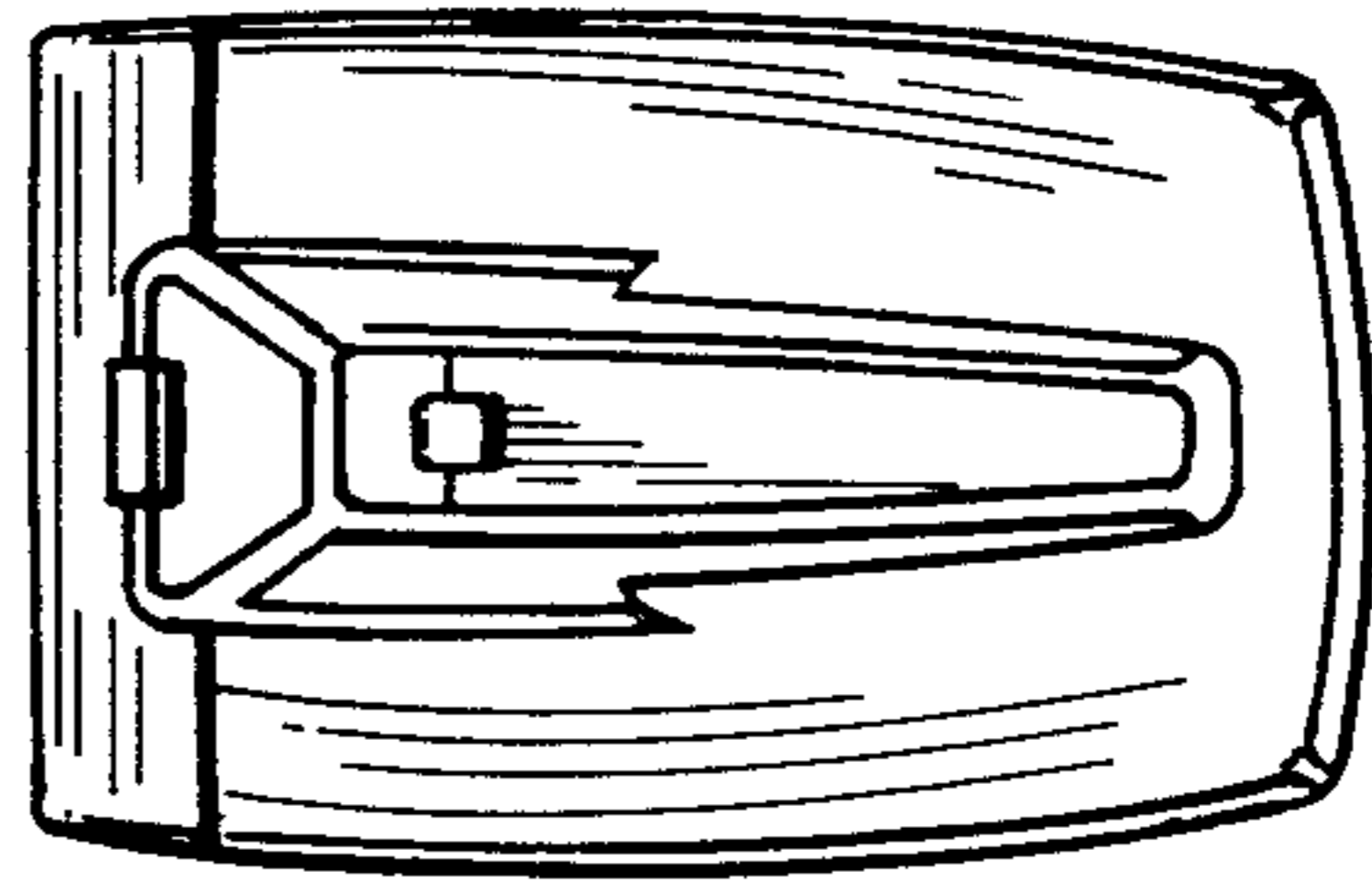


FIG. 2.

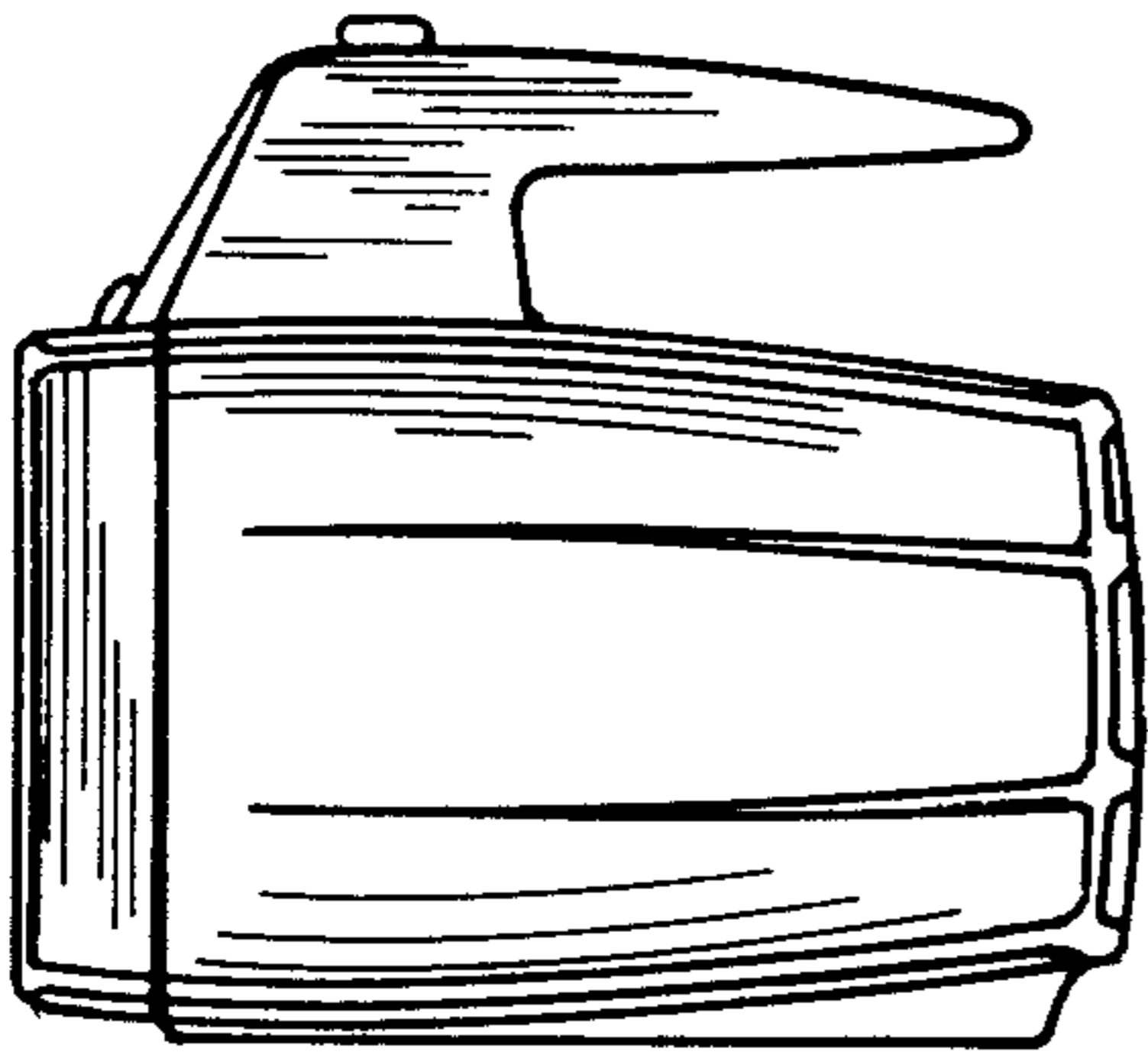


FIG. 3.

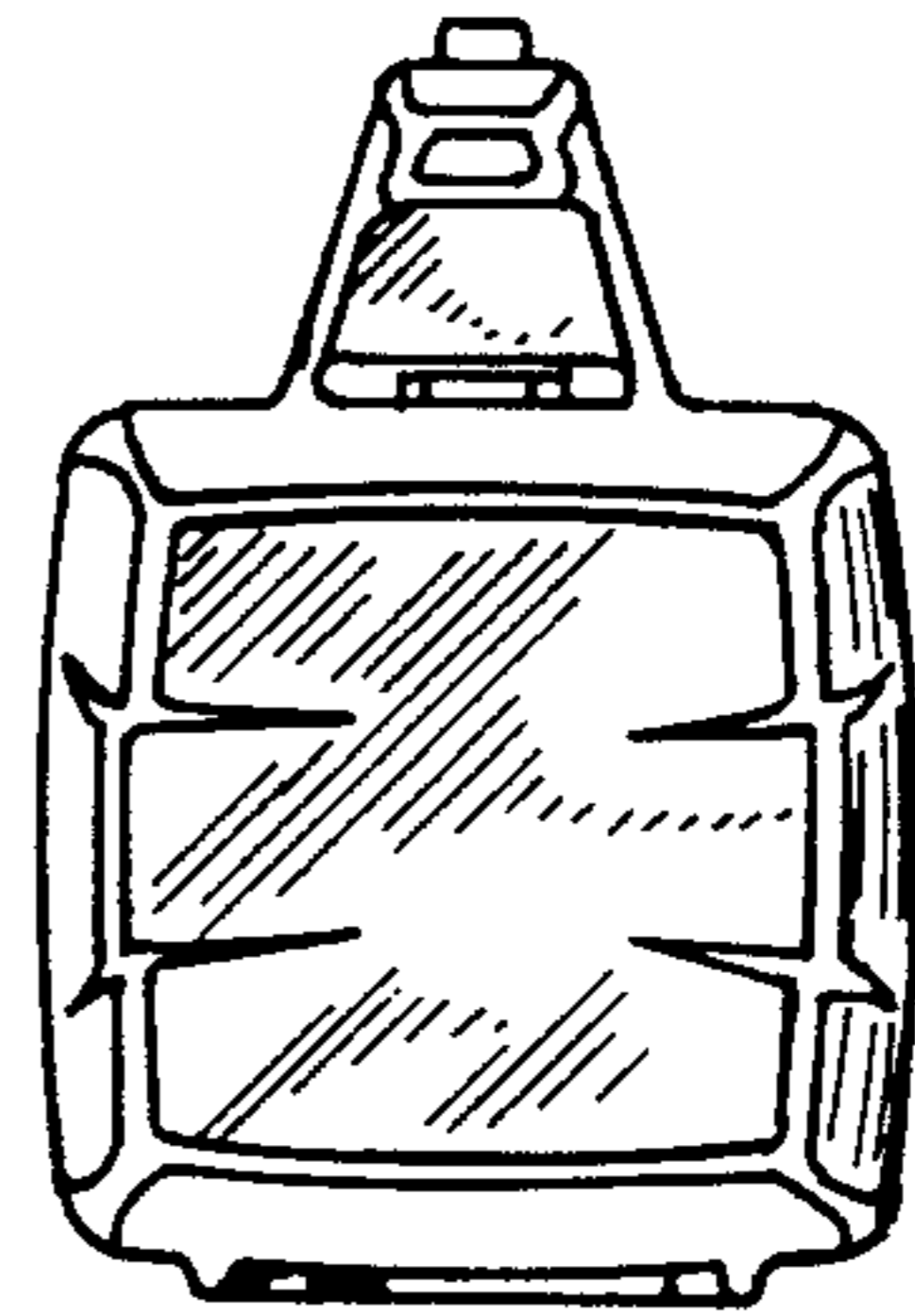


FIG. 5.

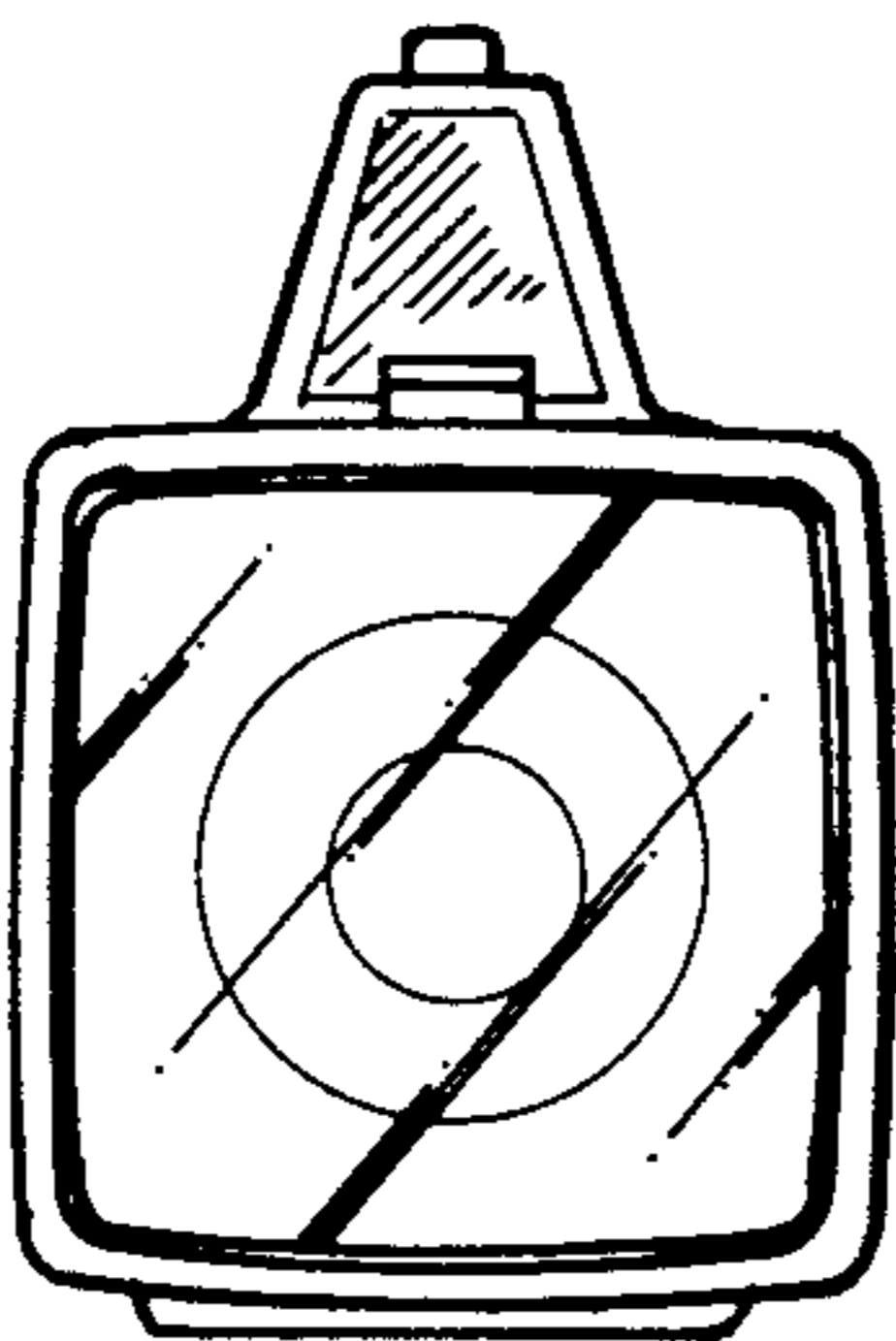


FIG. 4.

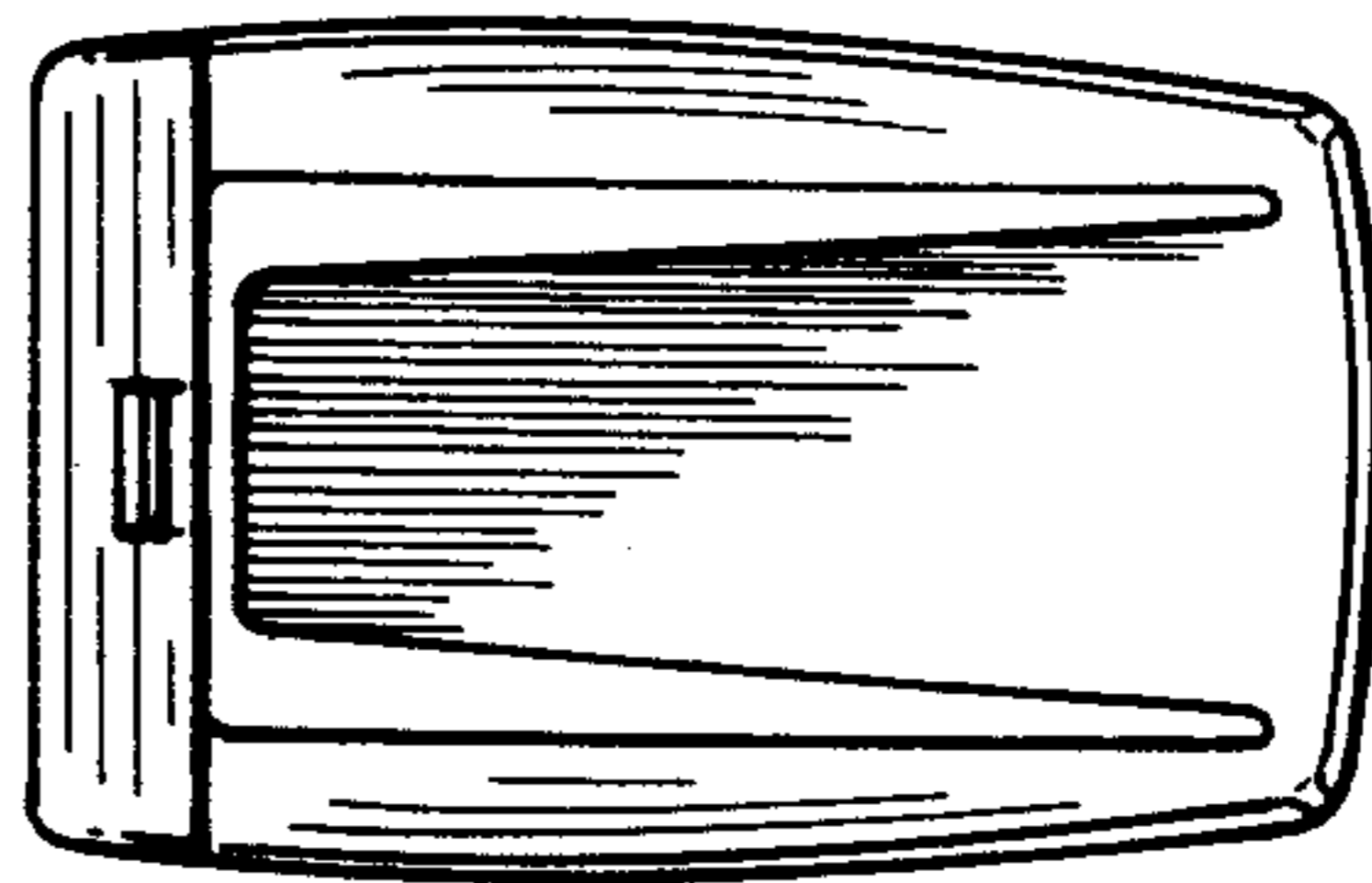


FIG. 6.