

[54] **COMBINED GRATE AND FIREPLACE HEAT EXCHANGER**

[75] Inventors: **Amos E. Chesnut**, Columbus; **Albert J. Parrigin**, Scipio, both of Ind.

[73] Assignee: **Arvin Industries, Inc.**, Columbus, Ind.

[\*\*] Term: **14 Years**

[21] Appl. No.: **879,099**

[22] Filed: **Feb. 21, 1978**

[51] Int. Cl. .... **D7-08; D23-03**

[52] U.S. Cl. .... **D23/95; D7/208; D23/96**

[58] Field of Search ..... **D7/206, 207; D23/92, D23/93, 94, 95, 96, 97; 126/120, 121, 163, 164, 165**

[56] **References Cited**

**U.S. PATENT DOCUMENTS**

D. 240,536	7/1976	Christophel	.....	D7/207 X
D. 242,542	11/1976	Betenbaugh, Jr.	.....	D7/207 X
4,114,590	9/1978	Frahm	.....	126/121

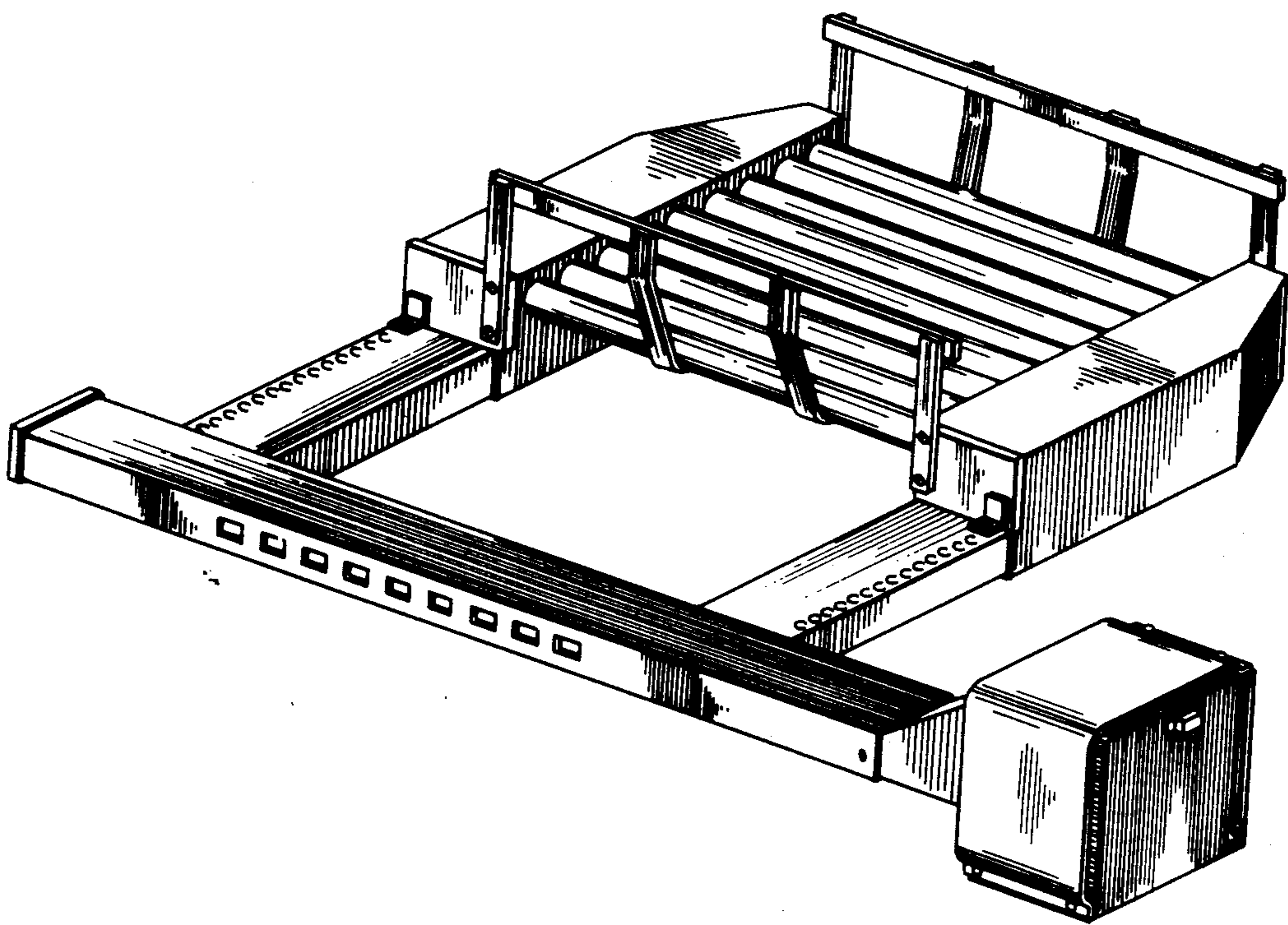
*Primary Examiner*—Wallace R. Burke  
*Assistant Examiner*—Catherine Kemper  
*Attorney, Agent, or Firm*—Thomas P. Jenkins

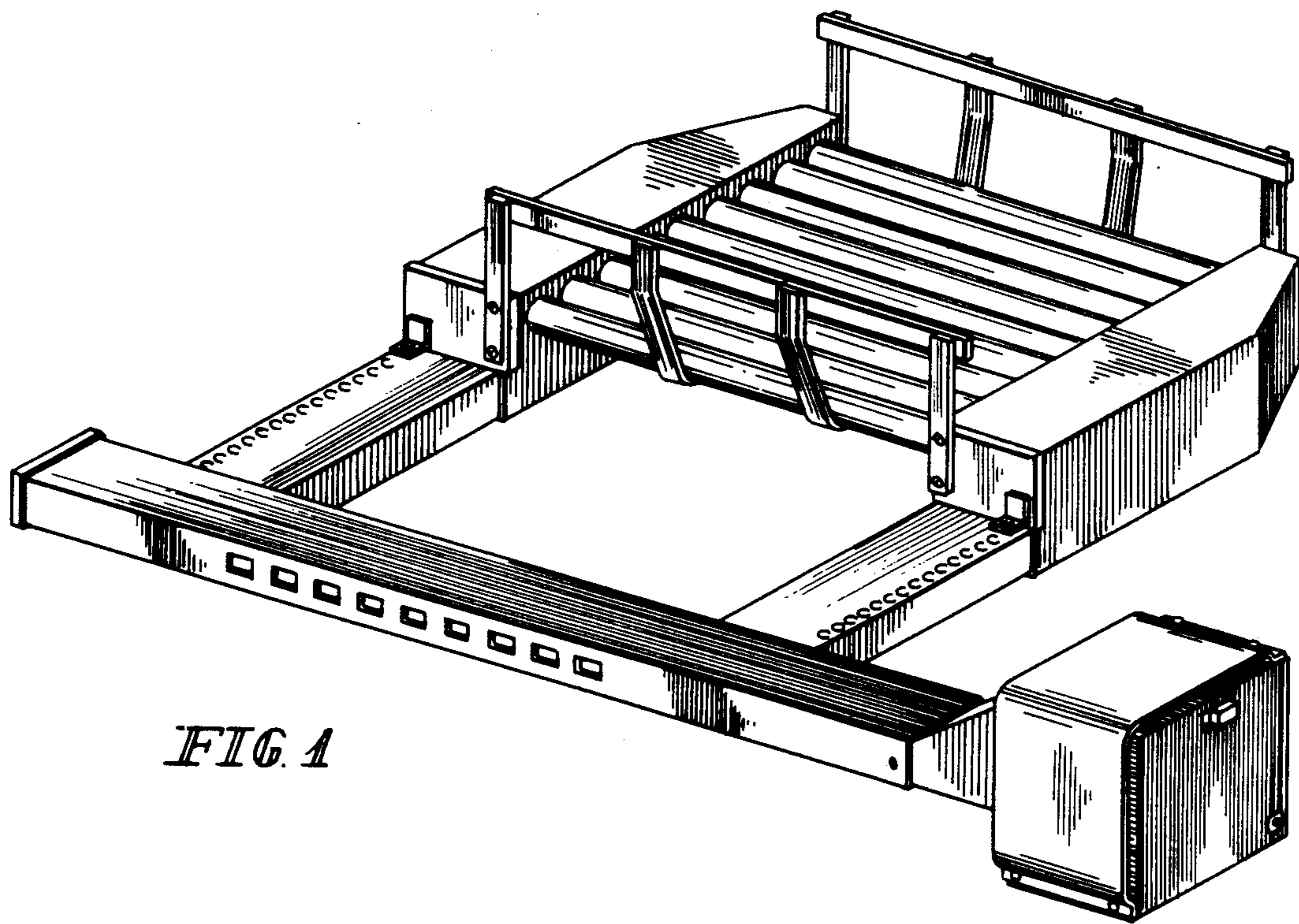
[57] **CLAIM**

The ornamental design for a combined grate and fireplace heat exchanger, as shown and described.

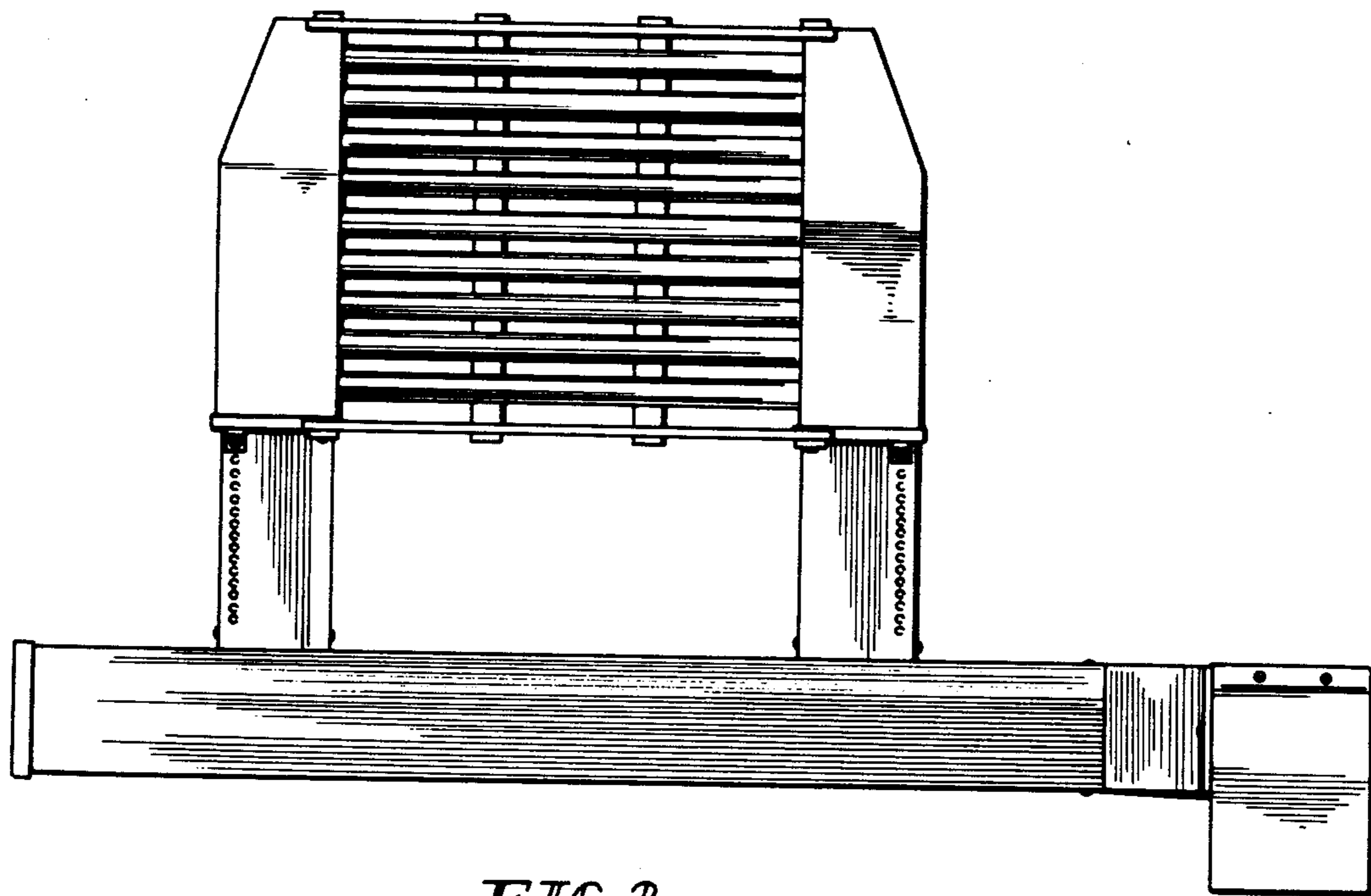
**DESCRIPTION**

FIG. 1 is a front perspective view of a combined grate and fireplace heat exchanger showing our design; FIG. 2 is a top plan view thereof; FIG. 3 is a front elevational view thereof; FIG. 4 is a rear elevational view thereof; FIG. 5 is a right side elevational view thereof; FIG. 6 is a left side elevational view thereof; FIG. 7 is a bottom plan view thereof; FIG. 8 is a front perspective view of a second embodiment thereof; FIG. 9 is a top plan view thereof; FIG. 10 is a front elevational view thereof; FIG. 11 is a rear elevational view thereof; FIG. 12 is a left side elevational view thereof; FIG. 13 is a right side elevational view thereof; and FIG. 14 is a bottom plan view thereof.



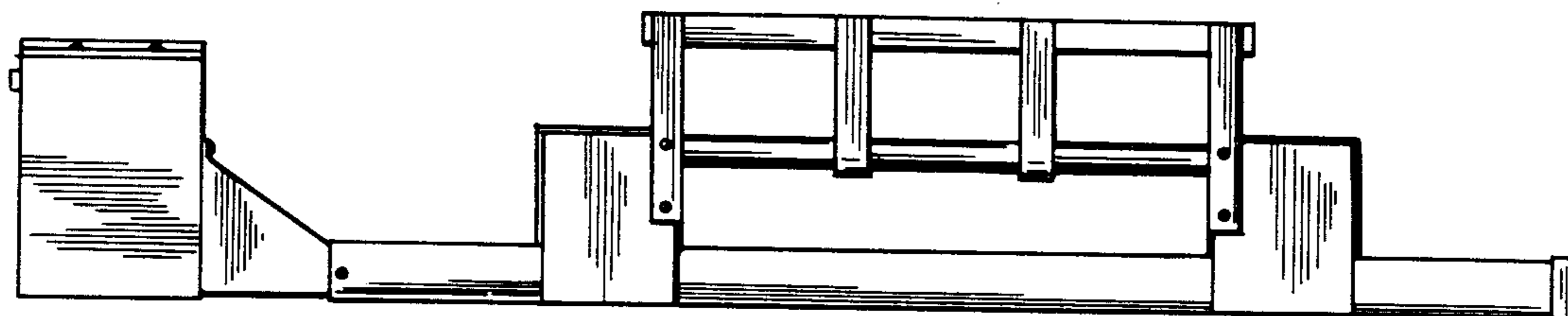
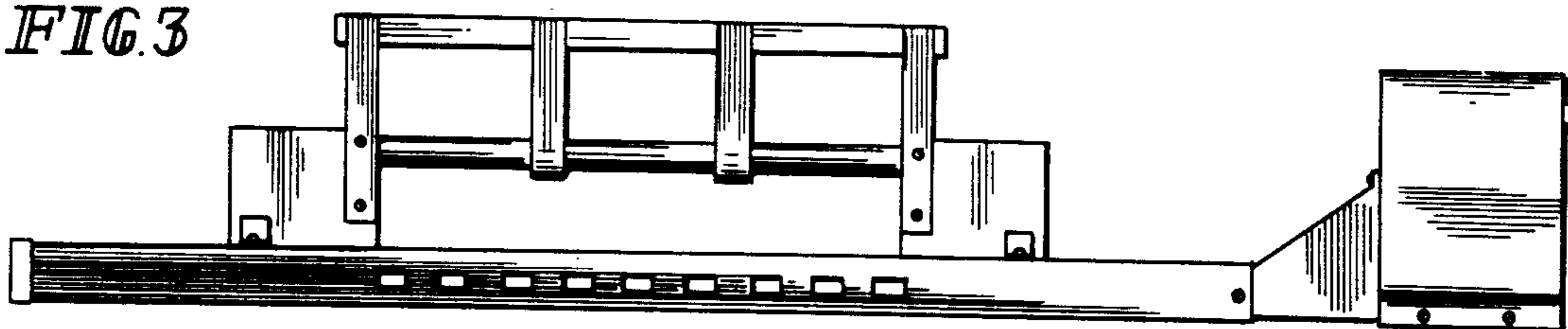


*FIG. 1*

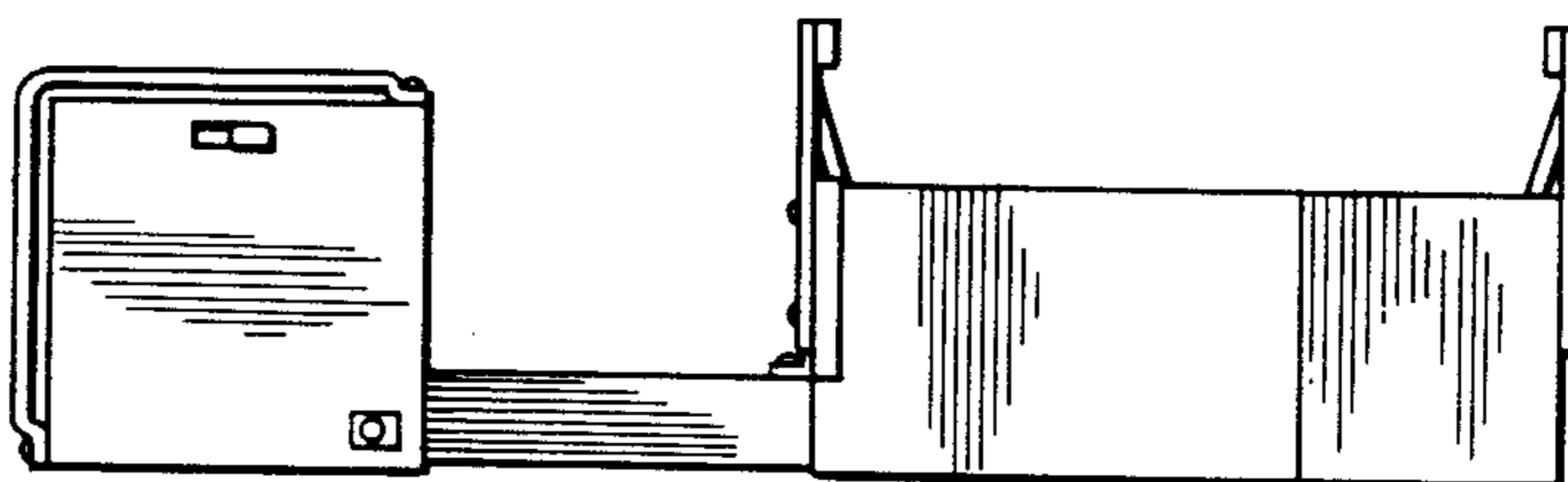


*FIG. 2*

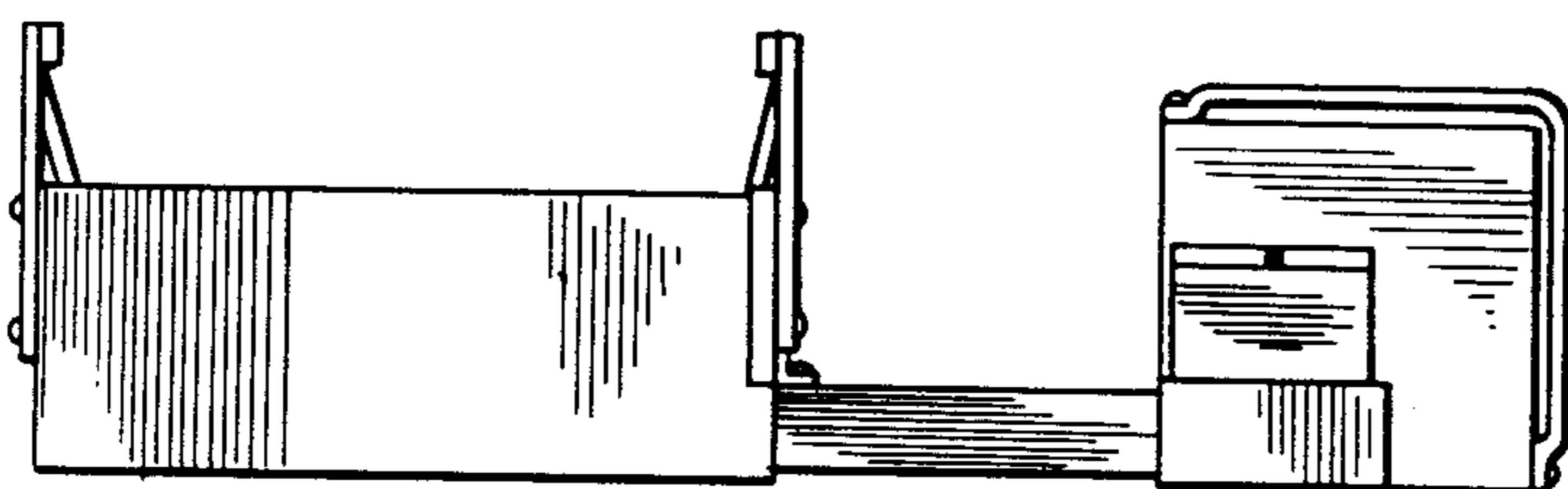
*FIG. 3*



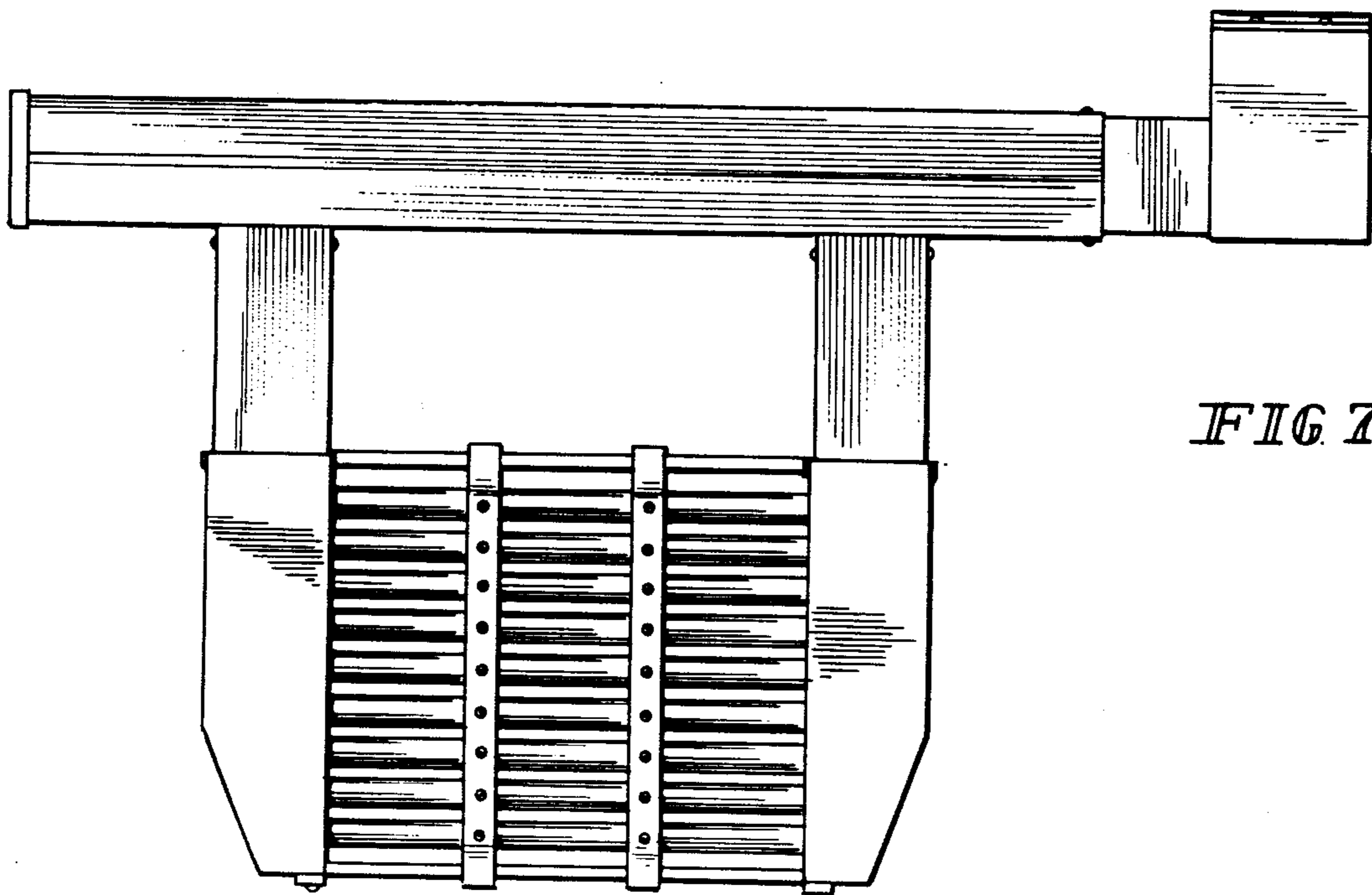
*FIG. 4*



*FIG. 5*



*FIG. 6*



*FIG. 7*

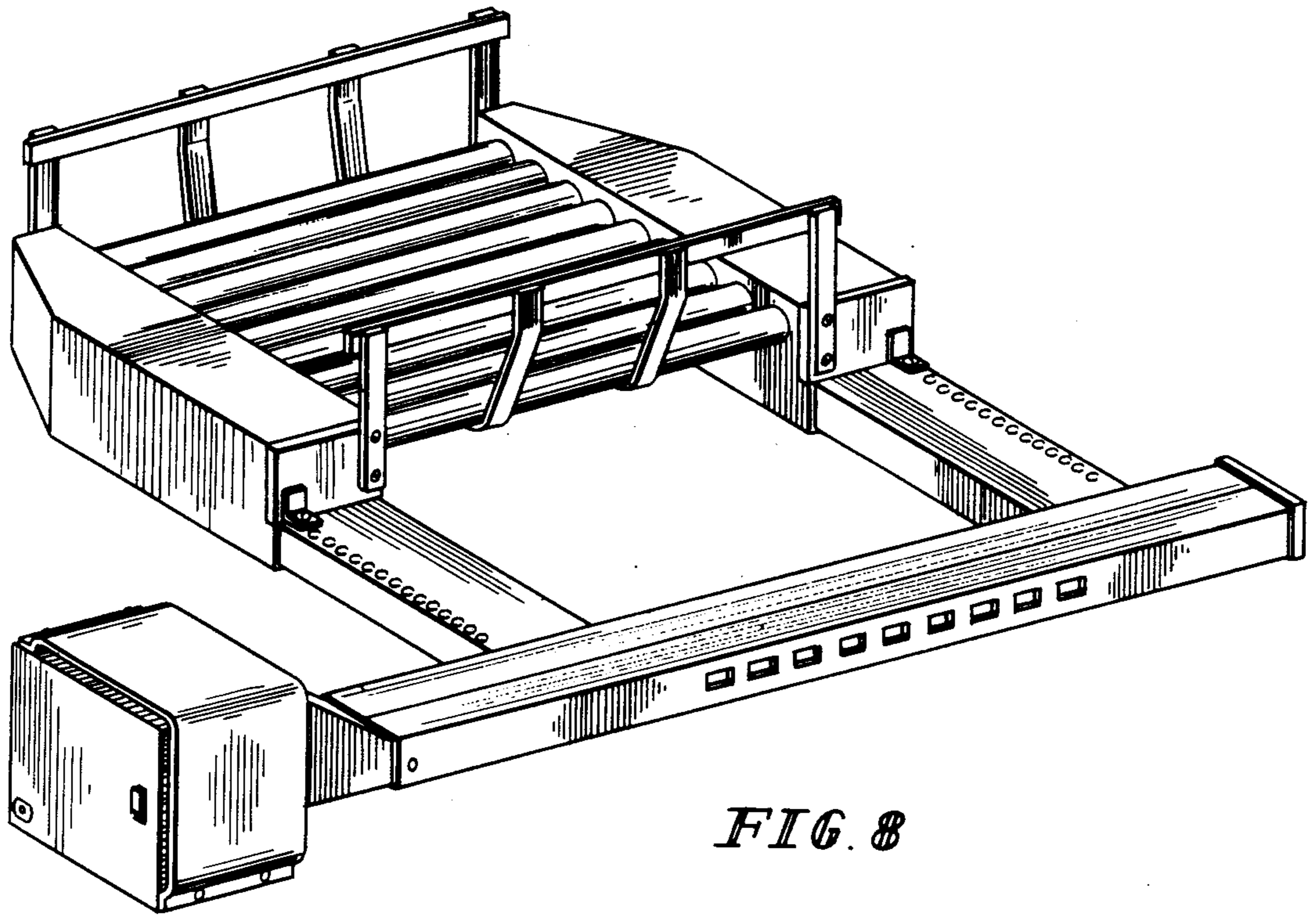


FIG. 8

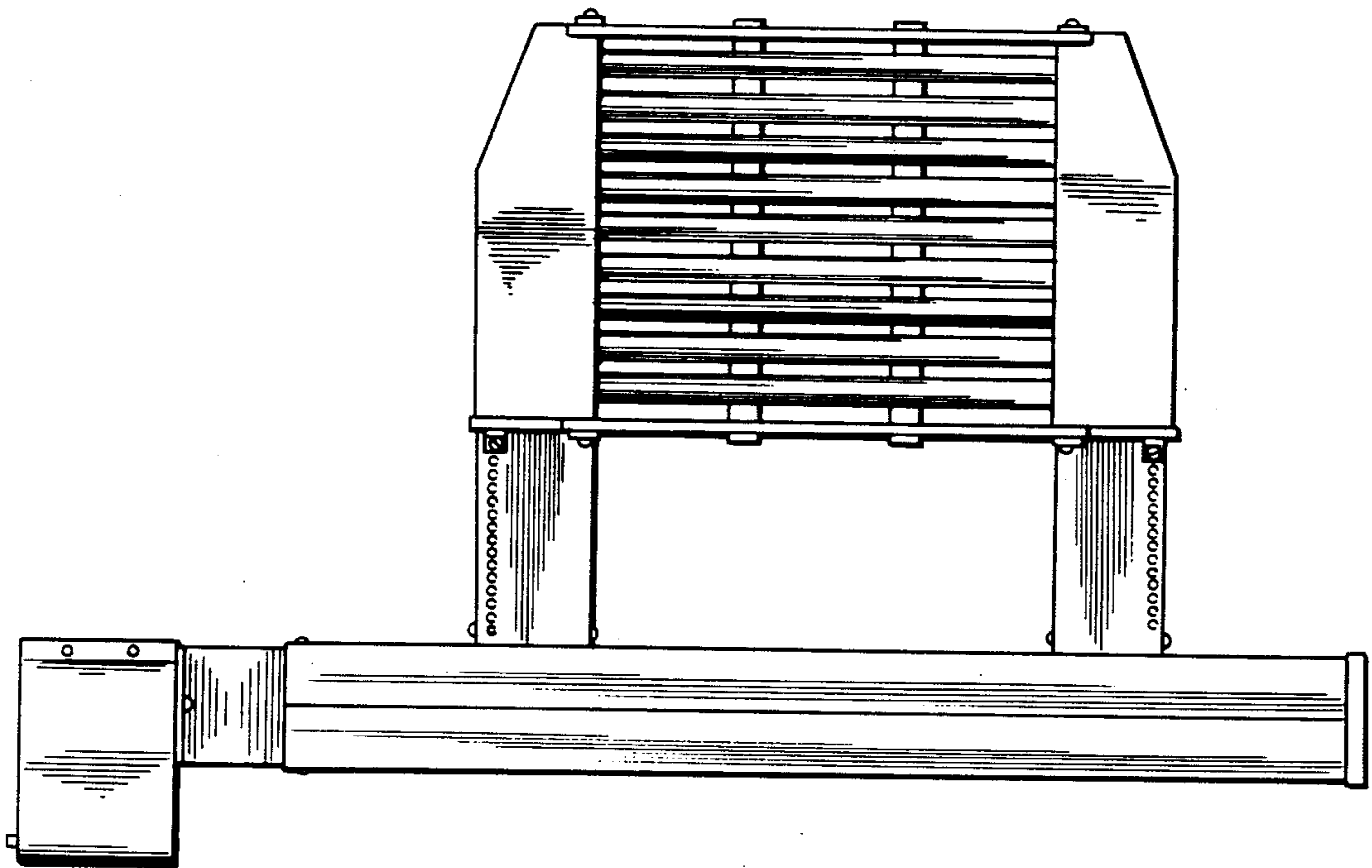


FIG. 9

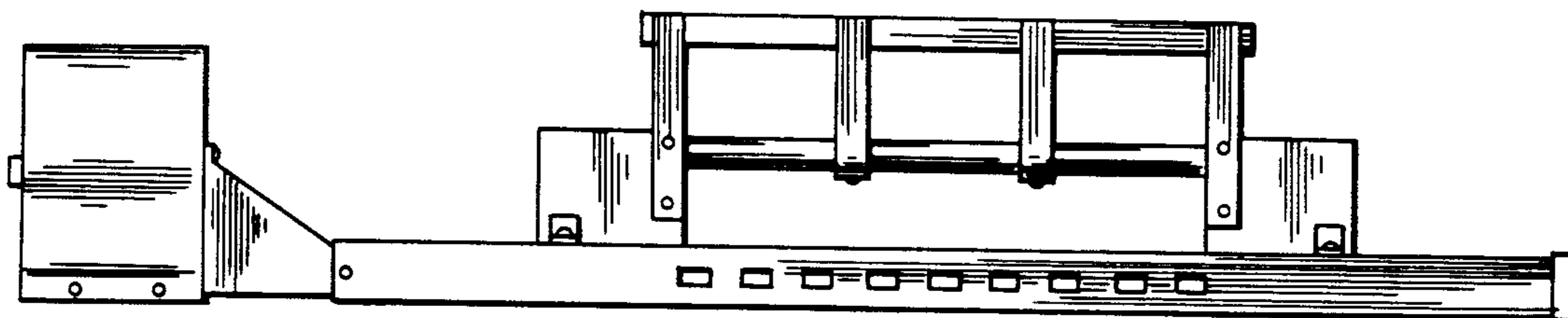


FIG. 10

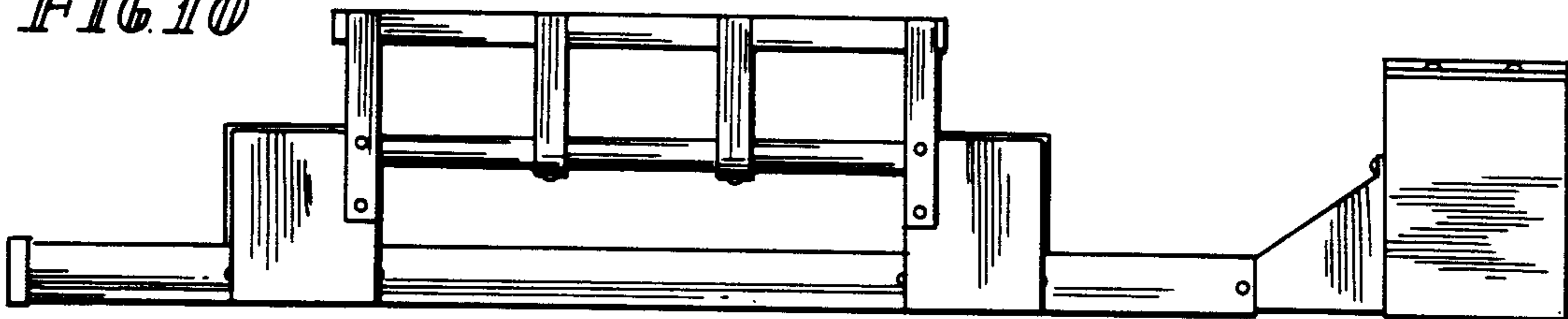


FIG. 11

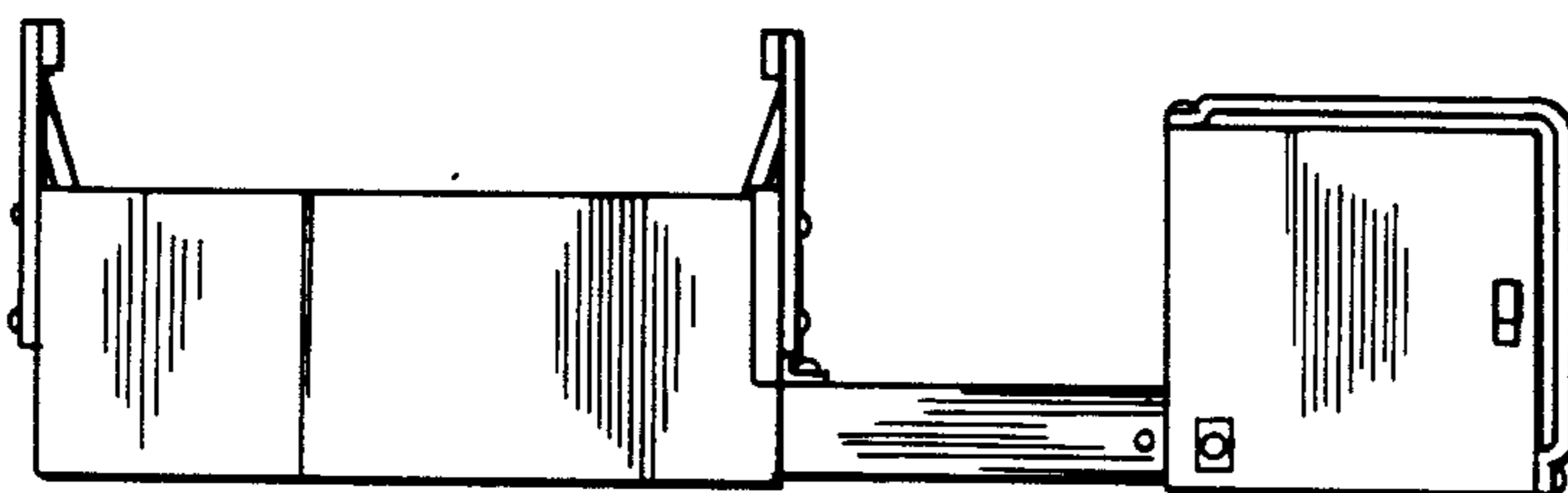


FIG. 12

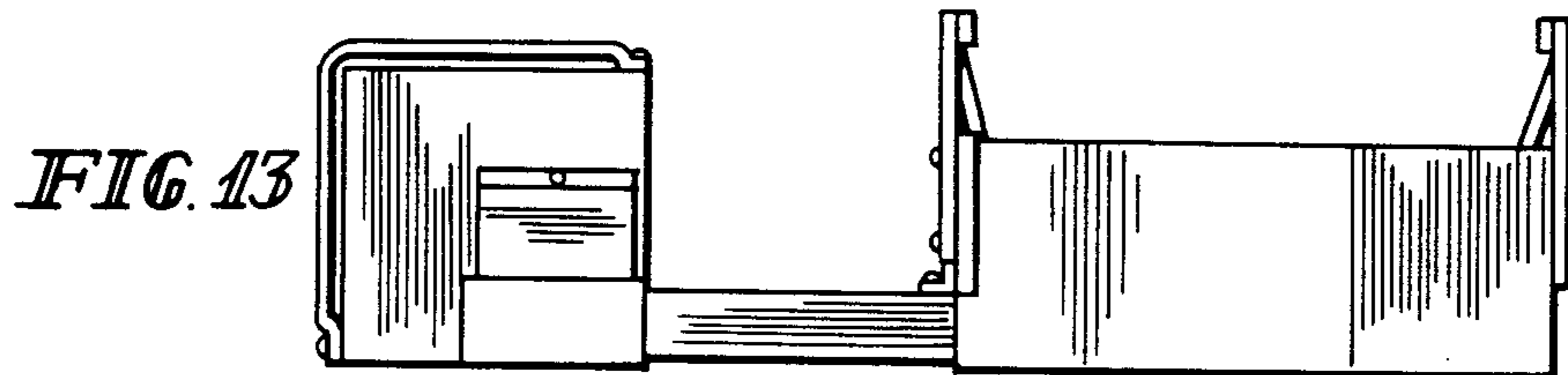


FIG. 13

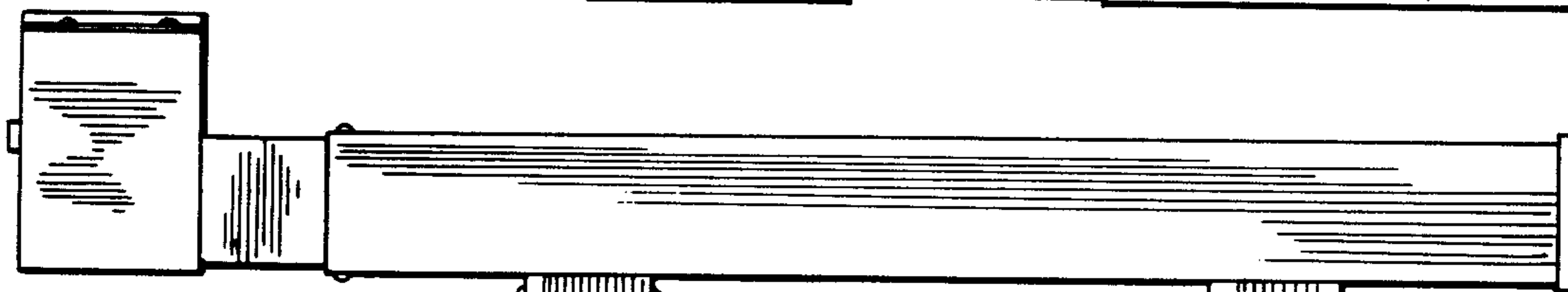


FIG. 14