

[54] WHIRLPOOL BATHTUB

[76] Inventor: Philip I. Ogden, 510 E. 46 St., Boise, Id. 83204

[**] Term: 14 Years

[21] Appl. No.: 857,360

[22] Filed: Dec. 5, 1977

[51] Int. Cl. D23-02

[52] U.S. Cl. D23/55; D24/38

[58] Field of Search D23/48-50, D23/55-57, 69; 4/2, 4, 5, 146, 148, 149, 161, 162, 173, 175, 178, 180, 185; D24/38

[56] References Cited

U.S. PATENT DOCUMENTS

- D. 237,709 11/1975 Jacuzzi D23/55
- D. 247,978 5/1978 D'Innocente D23/55

- 1,979,596 11/1934 Woolfolk 4/173
- 2,054,146 9/1936 Troeger et al. 4/173
- 3,396,412 8/1968 Francom 4/173
- 3,752,156 8/1973 Waack 4/178

Primary Examiner—James R. Largen
Attorney, Agent, or Firm—Paul F. Horton

[57] CLAIM

The ornamental design for a whirlpool bathtub, as shown and described.

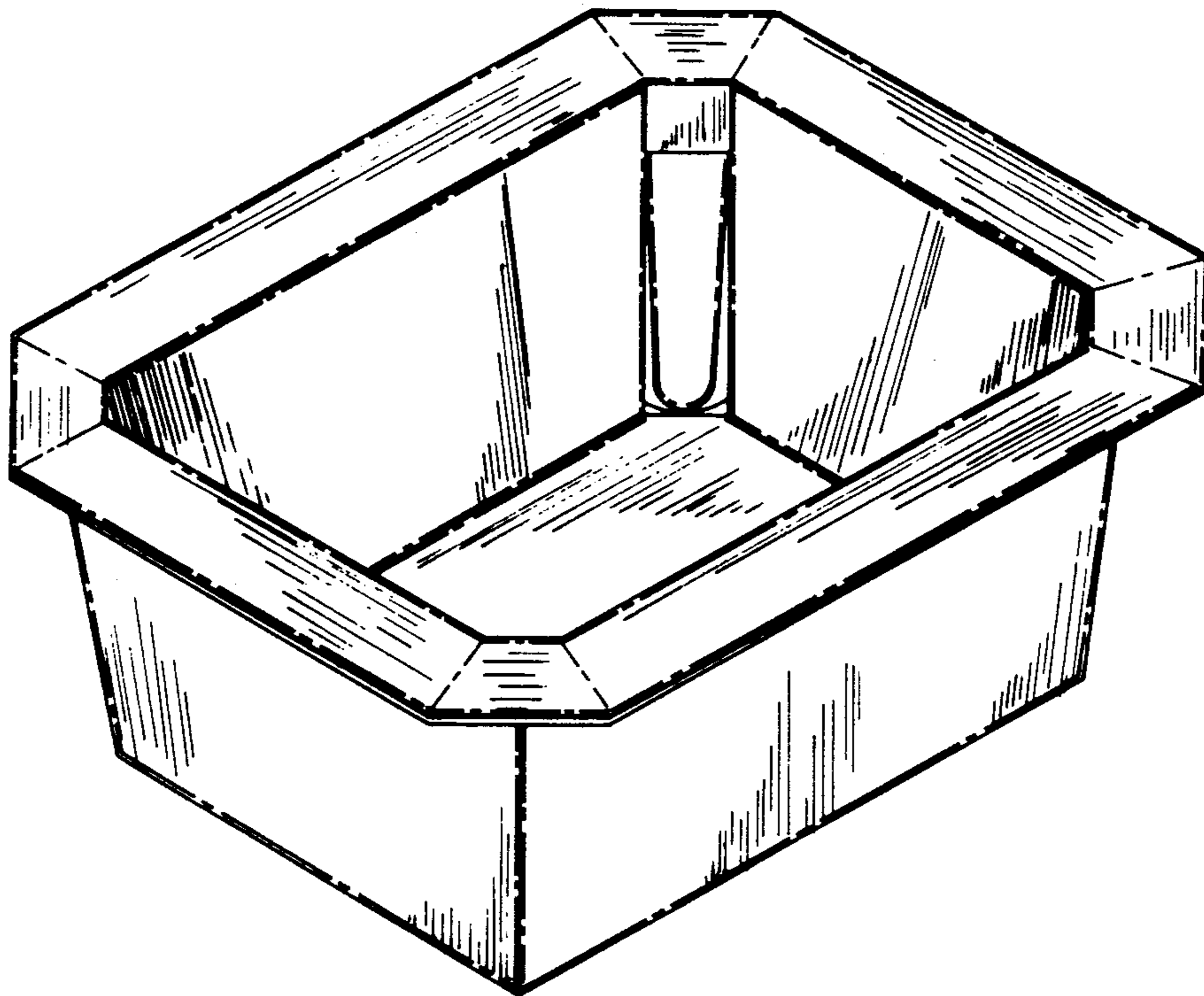
DESCRIPTION

FIG. 1 is a perspective view of a whirlpool bathtub showing my design.

FIG. 2 is a top plan view thereof;

FIG. 3 is an elevational view taken from one side thereof, the opposite side being the same as the side shown; and

FIG. 4 is a cross sectional view taken on line 4-4 of FIG. 2.



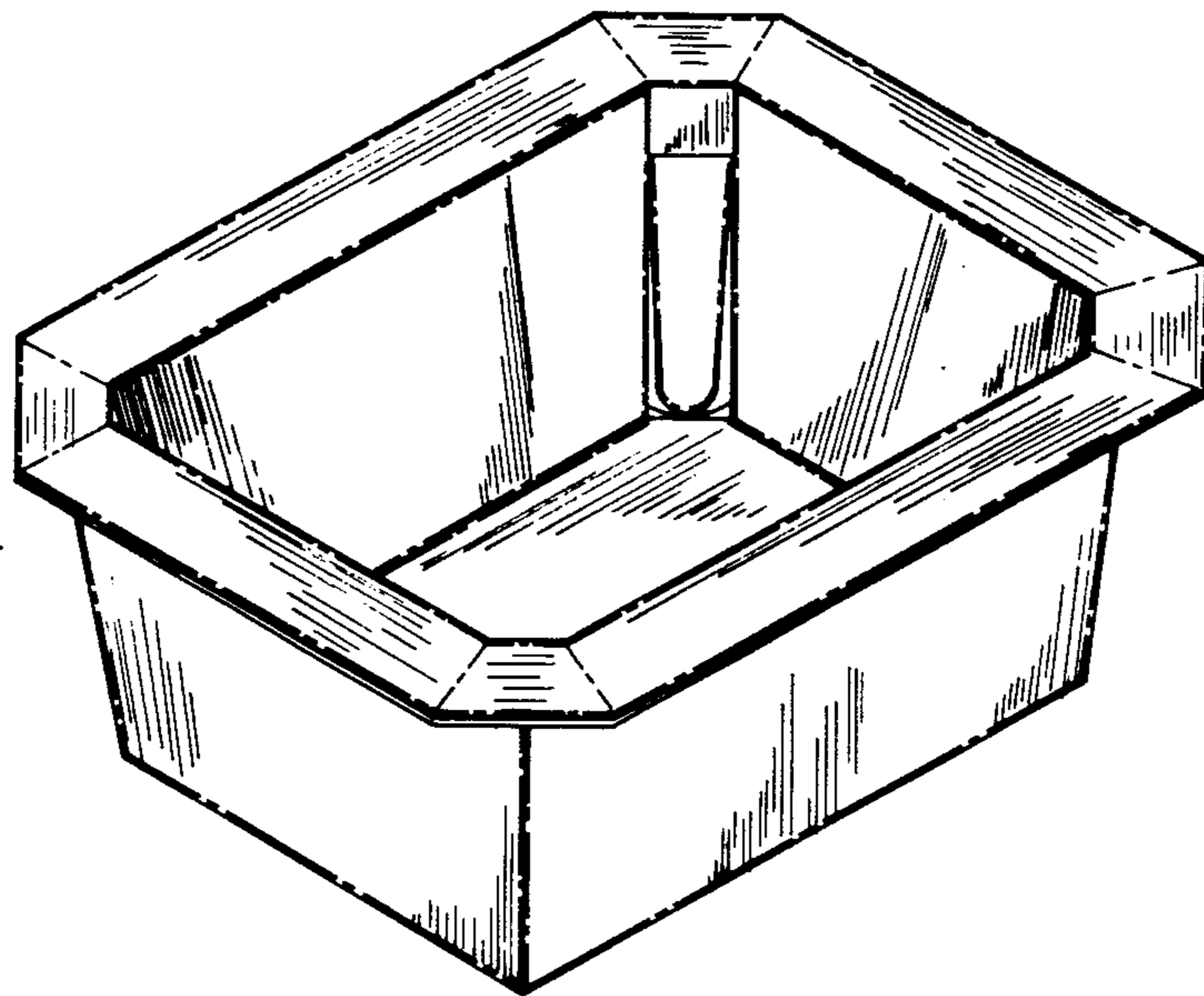


FIG. 1

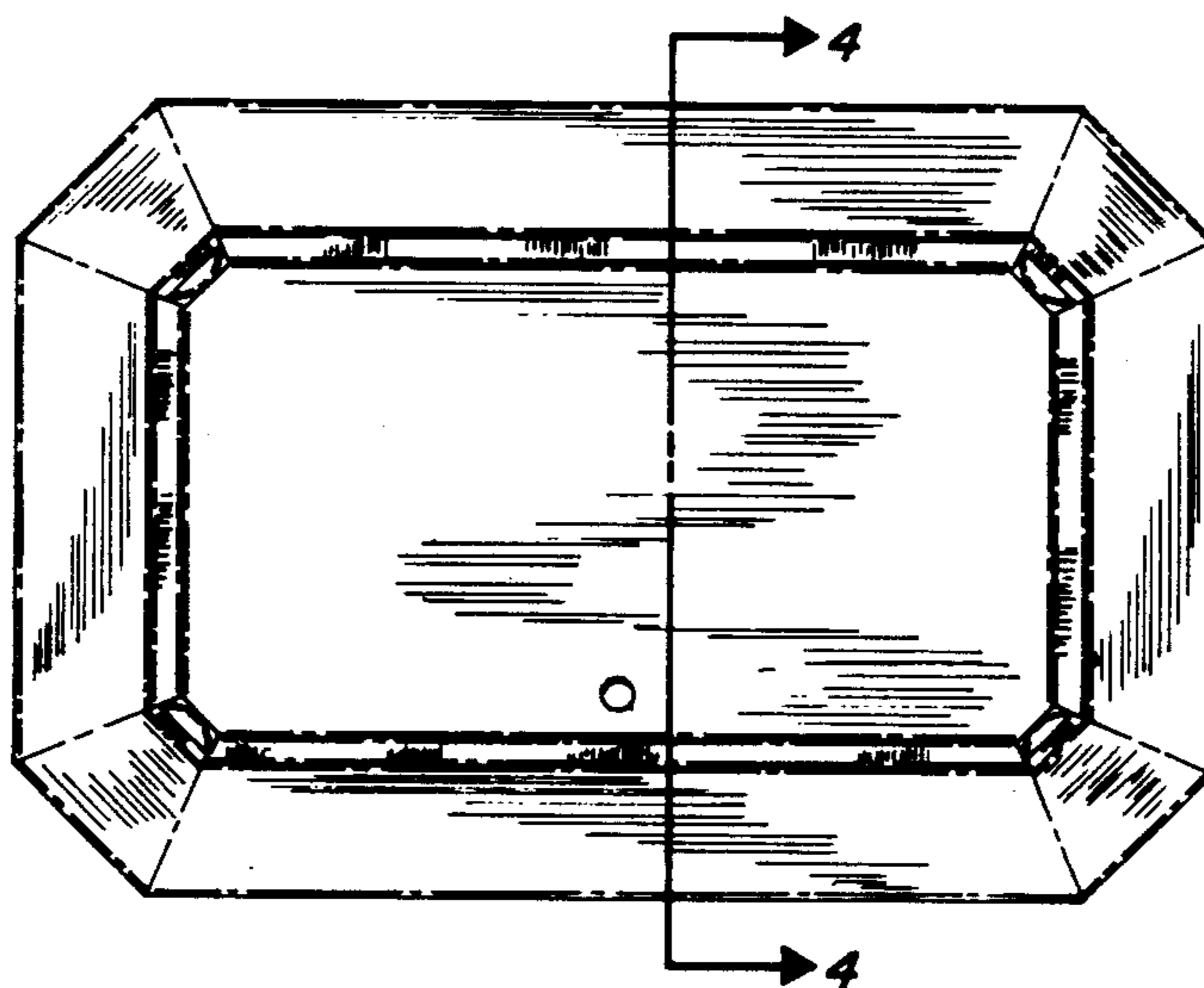


FIG. 2

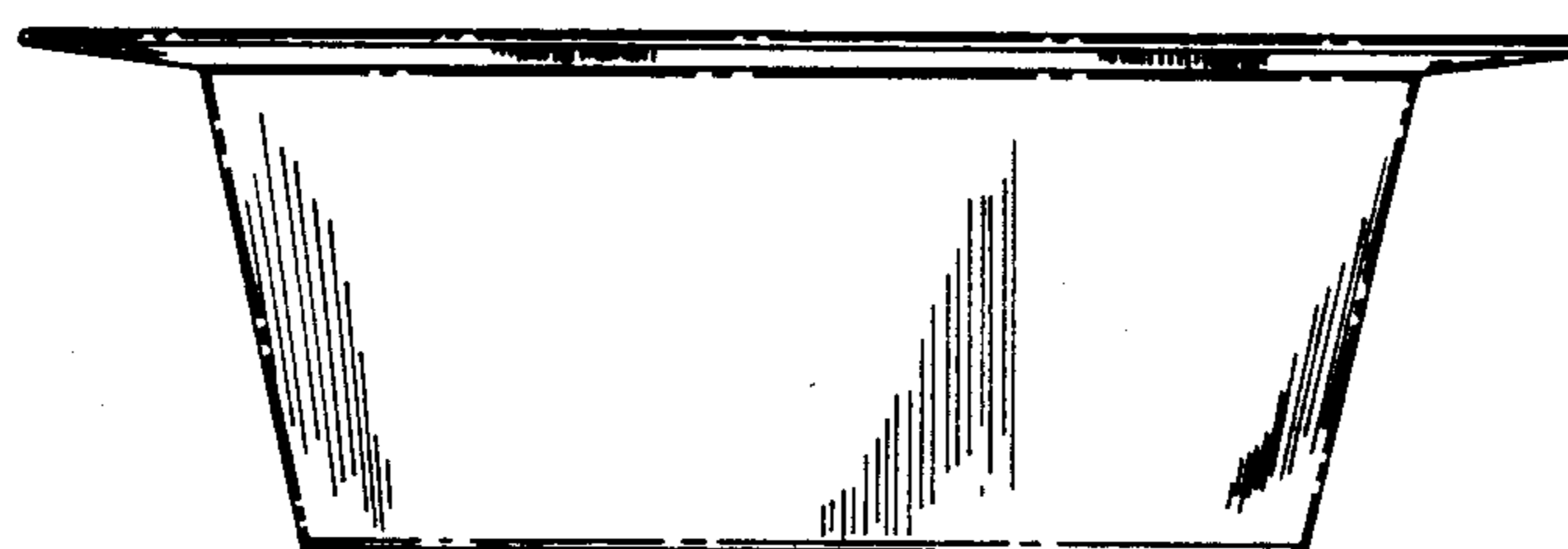


FIG. 3

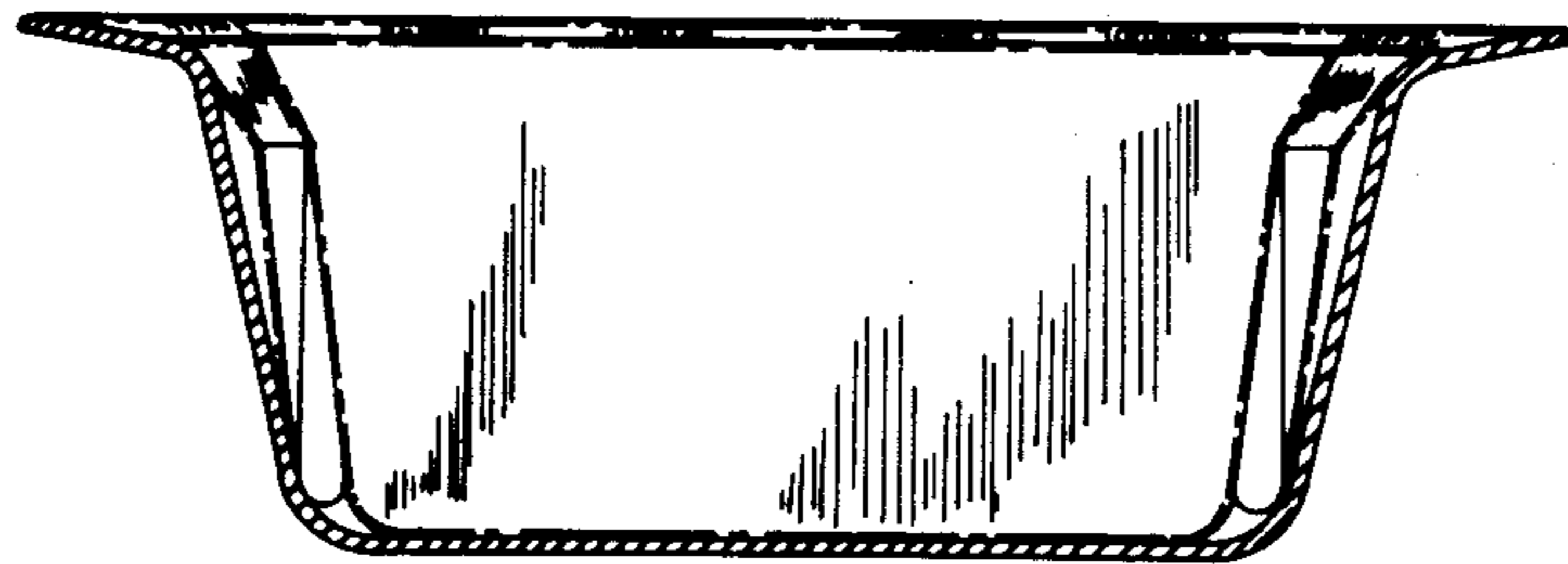


FIG. 4