

[54] TOY COASTER

[76] Inventor: Richard F. Thomas, 1217 Rockhaven Dr., San Jose, Calif. 95120

[**] Term: 14 Years

[21] Appl. No.: 849,491

[22] Filed: Nov. 7, 1977

[51] Int. Cl. D21-01

[52] U.S. Cl. D21/76

[58] Field of Search D34/15 AJ, 15 AT; 280/87.01, 87.04 R, 87.04 A, 87.04 B, 87.05; D21/76-75

[56] References Cited

U.S. PATENT DOCUMENTS

D. 52,810 12/1918 Sellner 280/87.01
D. 200,864 4/1965 de Roco D34/15 AJ

D. 241,153 8/1976 Majeski D34/15 AJ
507,200 10/1893 Ayres 280/87.01

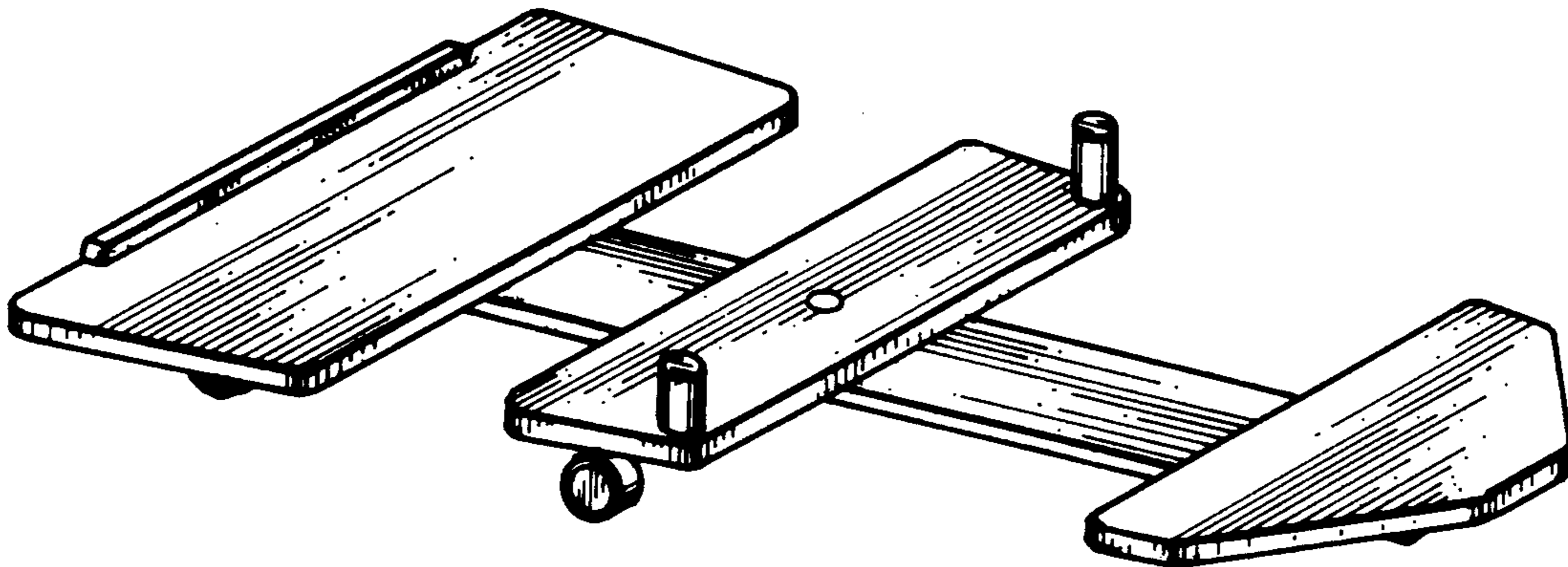
Primary Examiner—Joel Stearman
Assistant Examiner—Charles A. Rademaker
Attorney, Agent, or Firm—Robert W. Dilts

[57] CLAIM

The ornamental design for a toy coaster, as shown.

DESCRIPTION

FIG. 1 is a perspective view of the toy coaster showing my new design;
FIG. 2 is a side elevational view thereof;
FIG. 3 is a top plan view thereof;
FIG. 4 is a front elevational view thereof;
FIG. 5 is a rear elevational view thereof;
FIG. 6 is a bottom plan view thereof; and
FIG. 7 is a top plan view showing the steering elements in an alternate position.



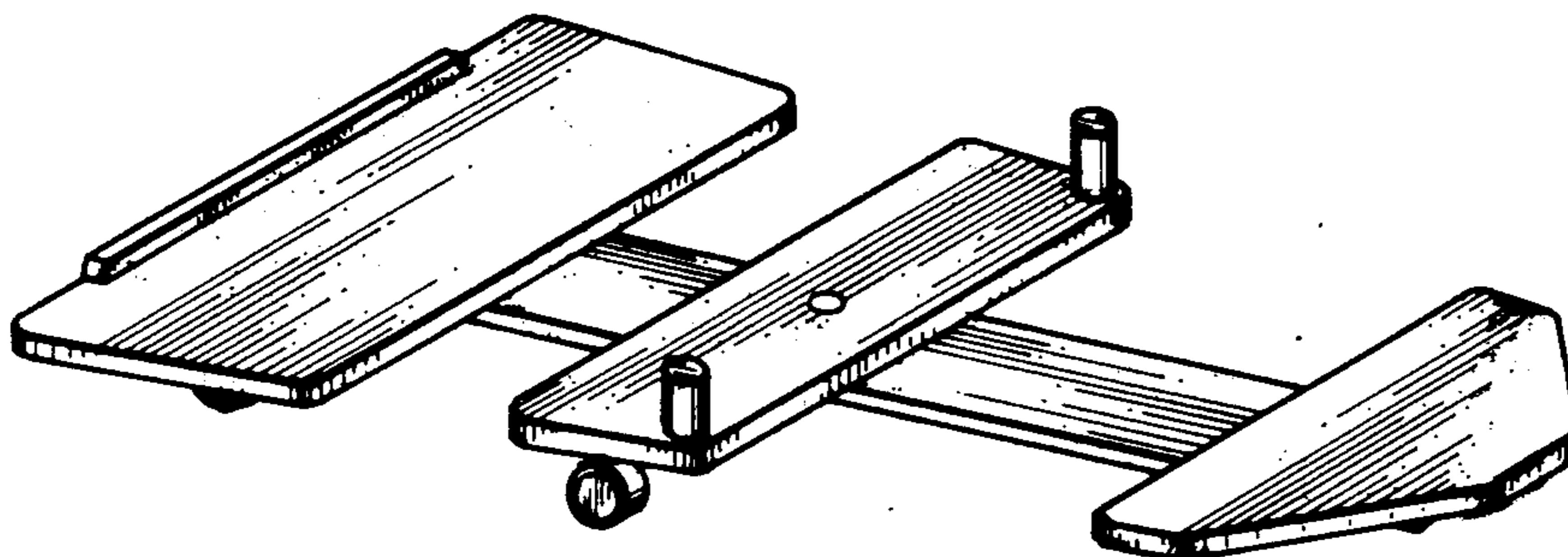


FIG _ 1



FIG _ 2



FIG _ 4

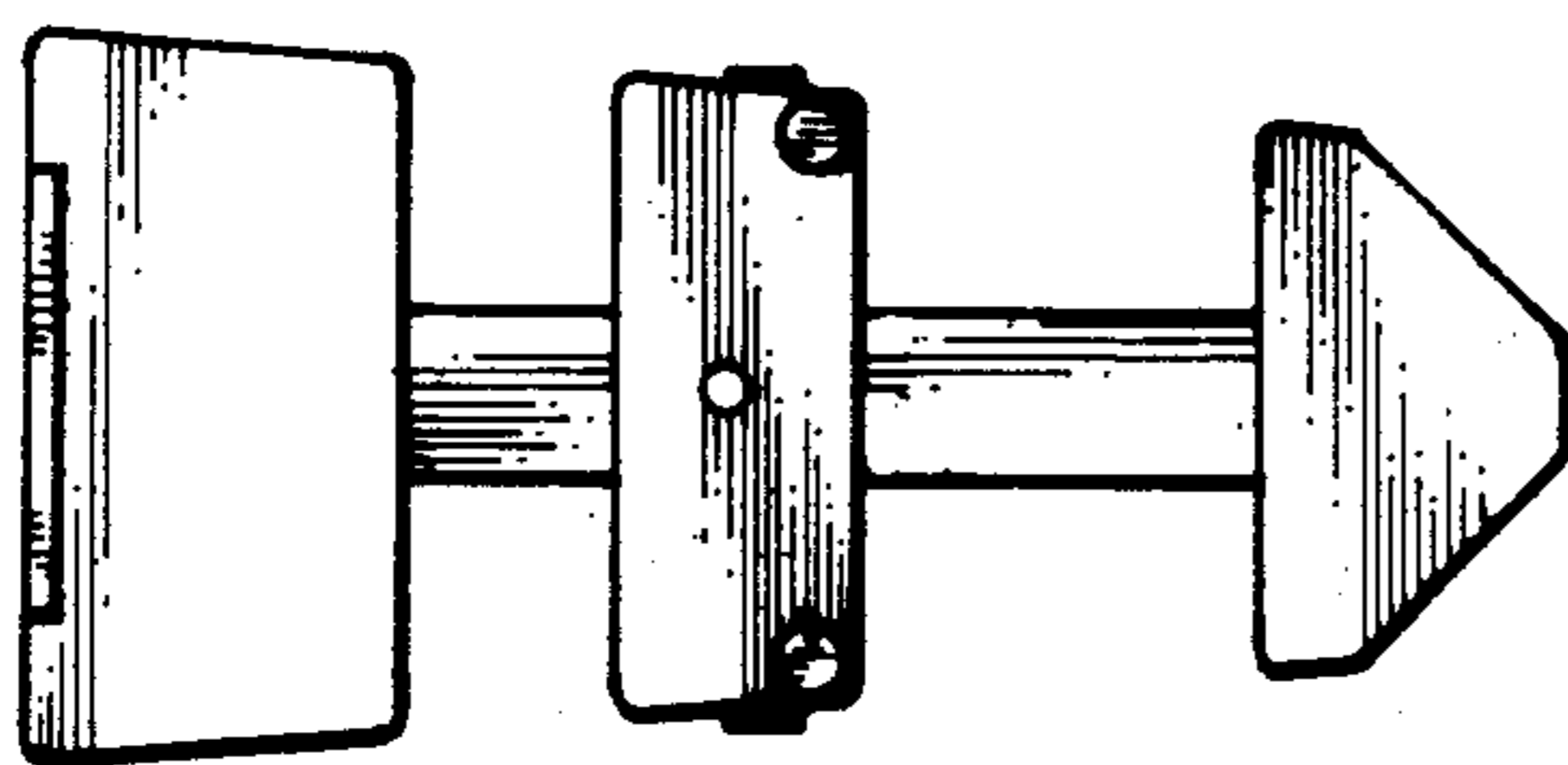


FIG _ 3



FIG _ 5

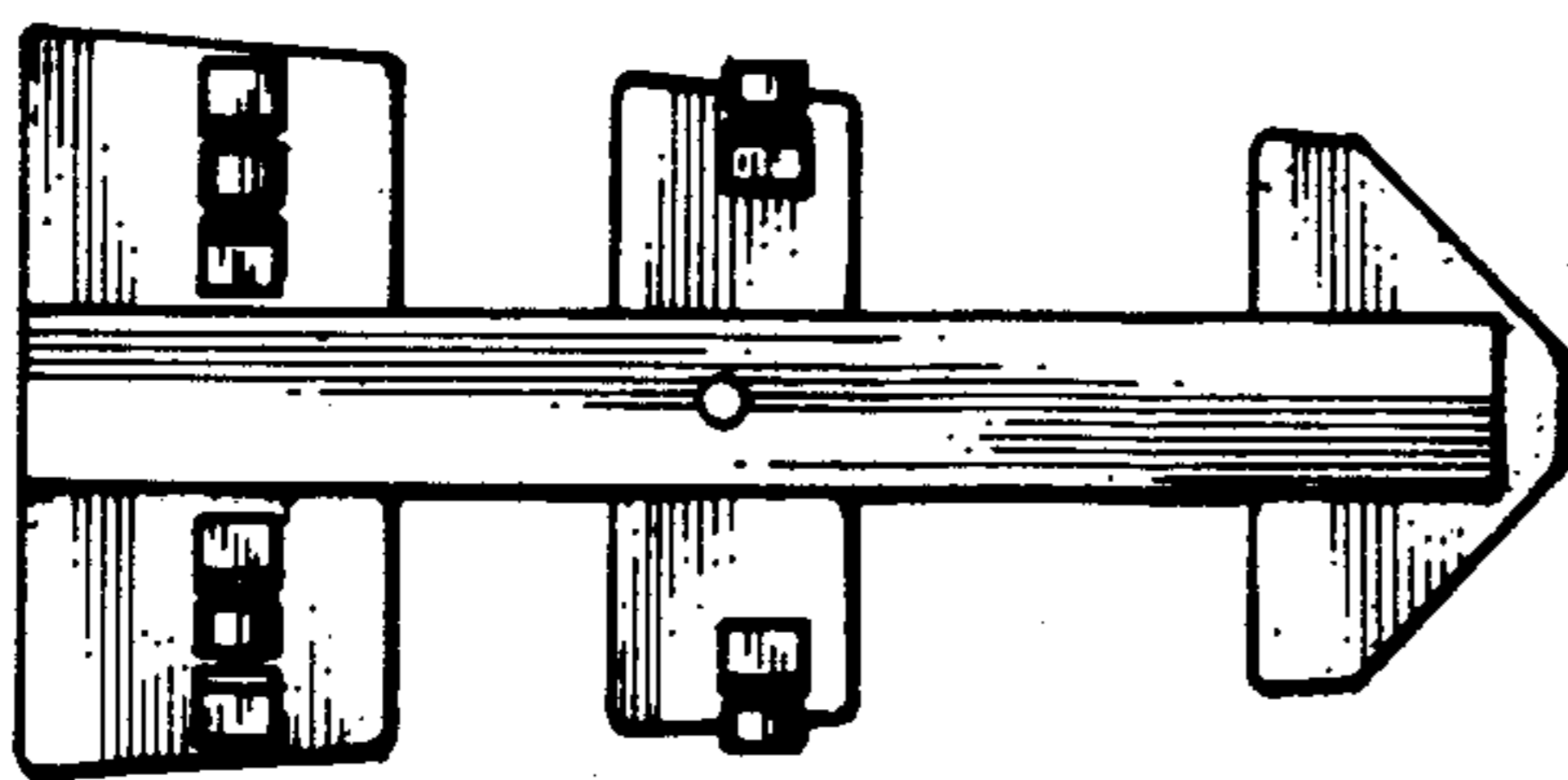


FIG _ 6

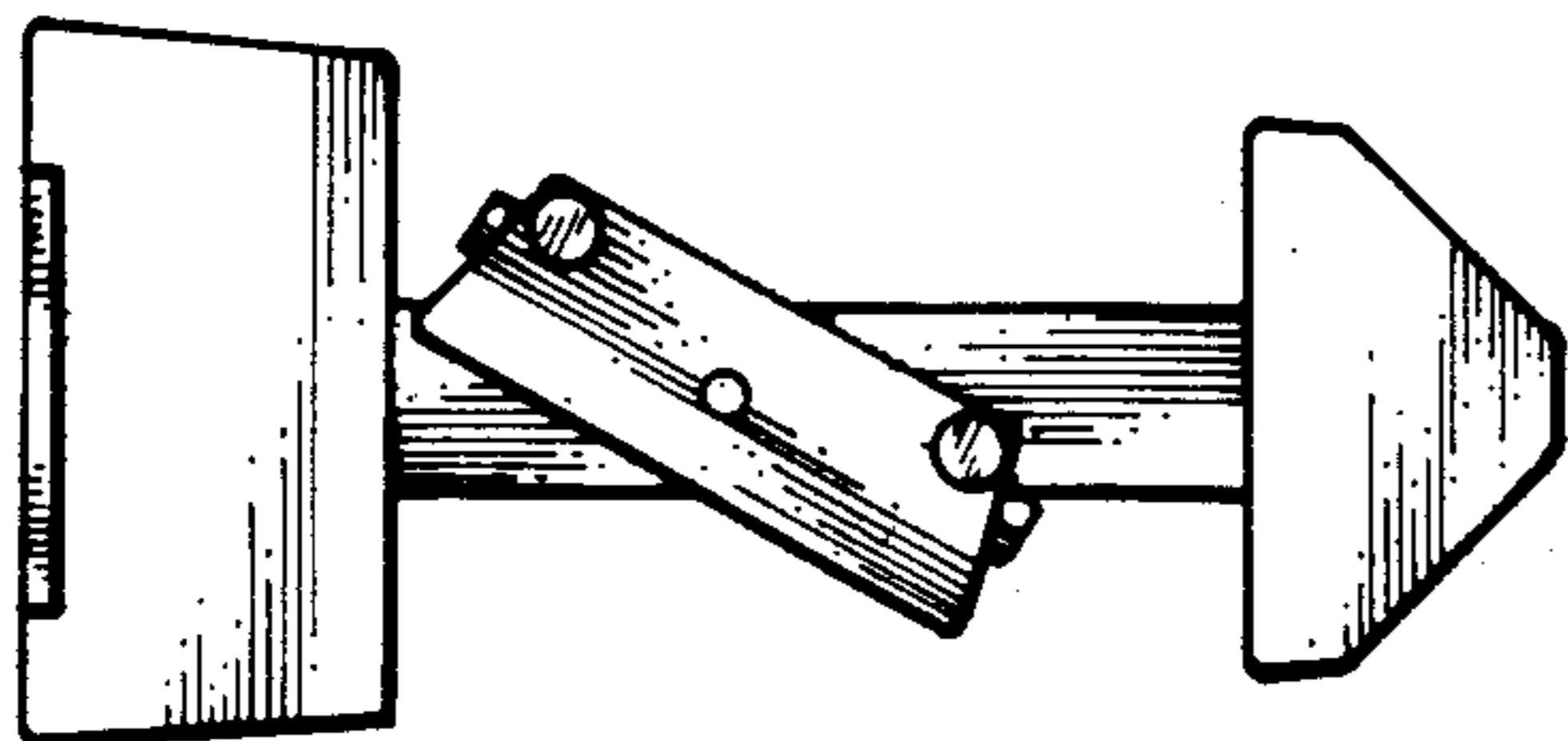


FIG _ 7