

- [54] MACHINE VISE 3,051,473 8/1962 Juhase ..... 269/95
- [75] Inventors: Frank A. Glomb, Thornton; William S. Griffith, Chicago, both of Ill.
- [73] Assignee: Chicago Tool and Engineering Company, Chicago, Ill.
- [\*\*] Term: 14 Years
- [21] Appl. No.: 824,861
- [22] Filed: Aug. 15, 1977
- [51] Int. Cl. .... D15-09; D8-05
- [52] U.S. Cl. .... D15/140; D8/74
- [58] Field of Search ..... D15/138, 140; D8/74; 269/95, 29

[56] **References Cited**  
**U.S. PATENT DOCUMENTS**

D. 234,118	1/1975	Molitors .....	D8/74
2,430,366	11/1947	Porterfield .....	269/95
2,889,757	6/1959	Cole .....	269/95

**OTHER PUBLICATIONS**

Martin Gem Vise Cat.; p. 2, Milling Machine Vise No. 5.

*Primary Examiner*—Wallace R. Burke  
*Assistant Examiner*—B. J. Bullock  
*Attorney, Agent, or Firm*—Leydig, Voit, Osann, Mayer & Holt, Ltd.

[57] **CLAIM**

The ornamental design for machine vise, as shown and described.

**DESCRIPTION**

FIG. 1 is a reduced perspective view of a machine vise showing our new design;  
 FIG. 2 is a side elevation taken from the right of FIG. 1;  
 FIG. 3 is a front elevation.  
 FIG. 4 is a rear elevation.  
 FIG. 5 is a top plan view.

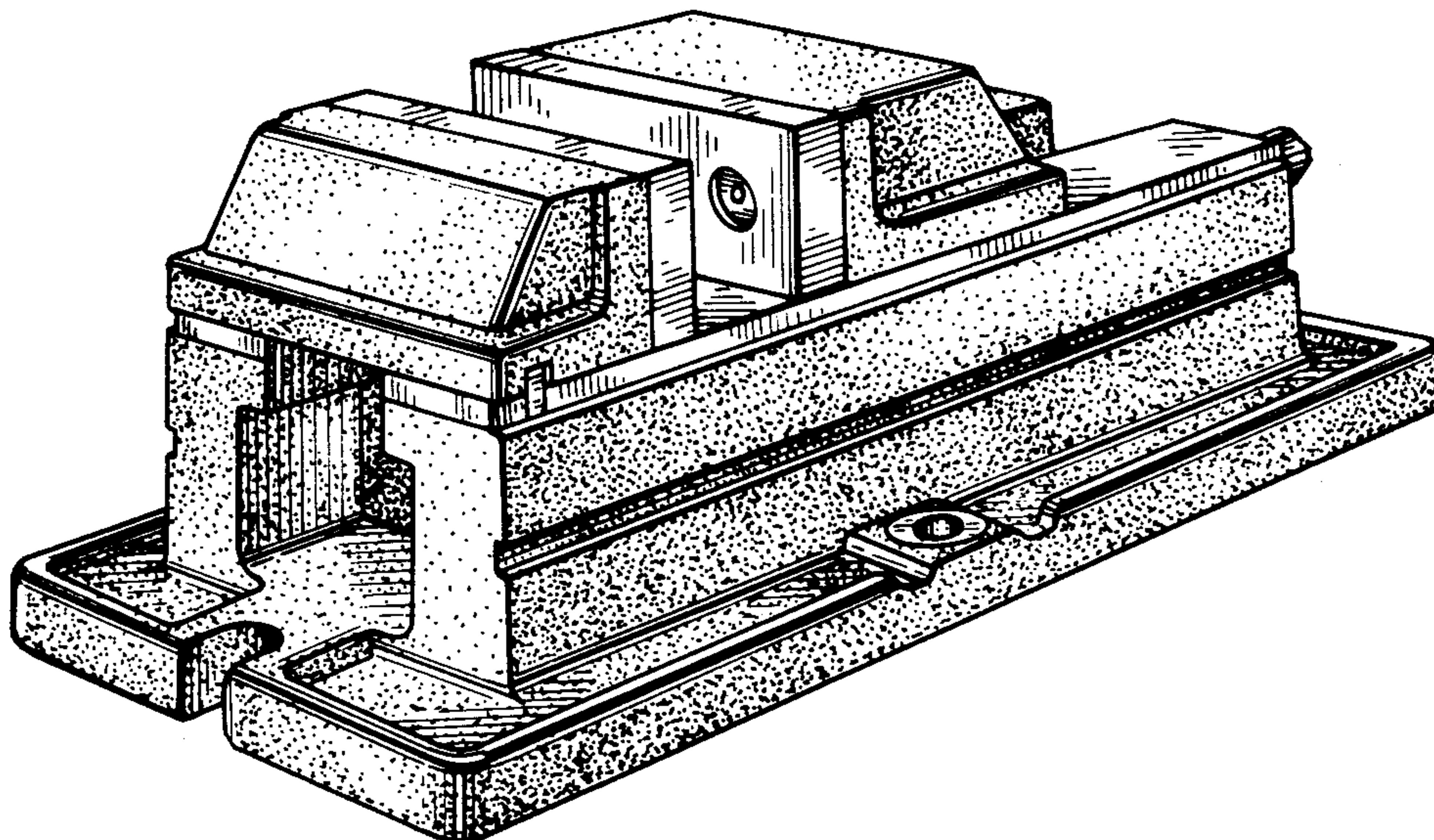


FIG. 1

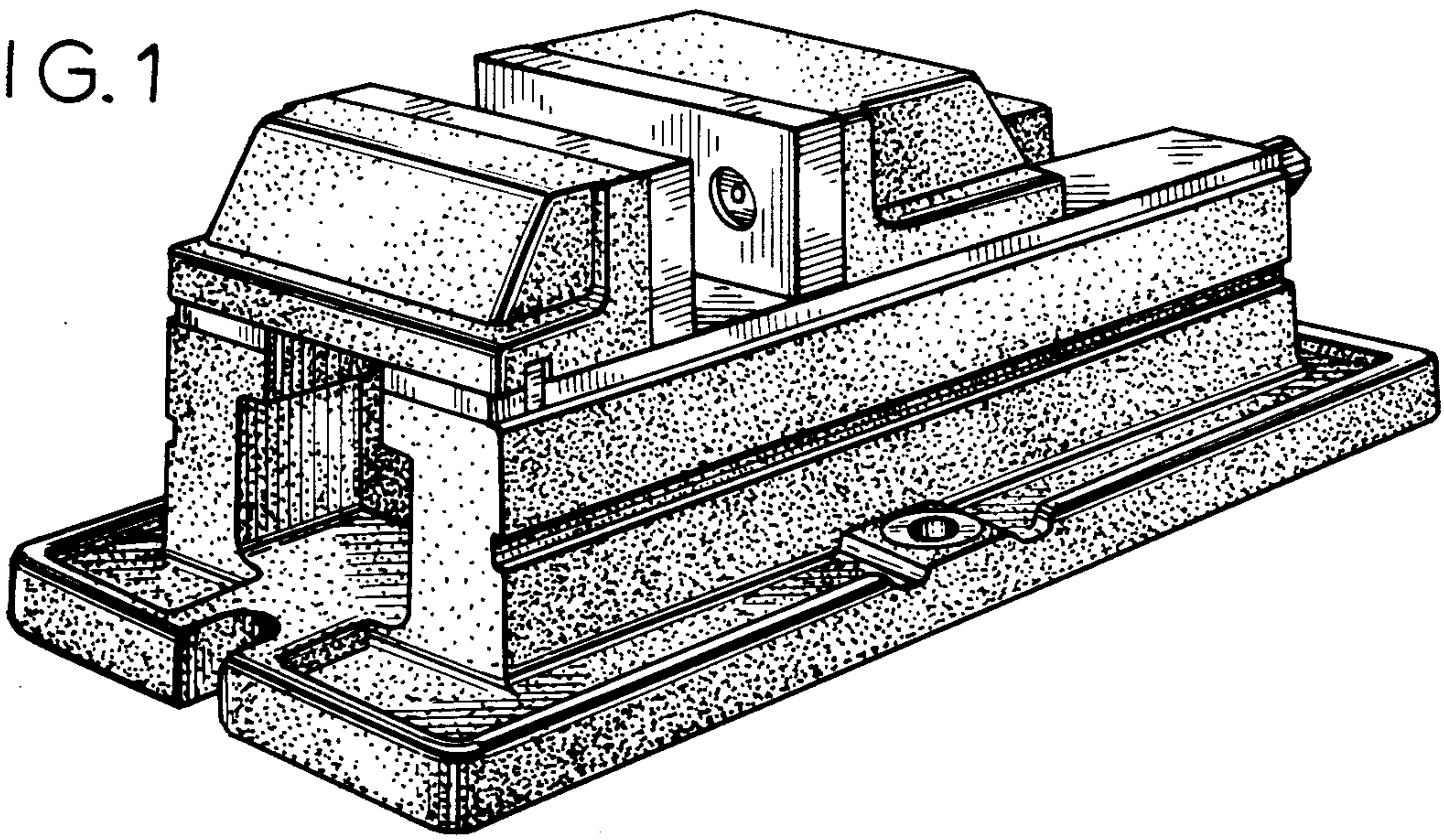


FIG. 3

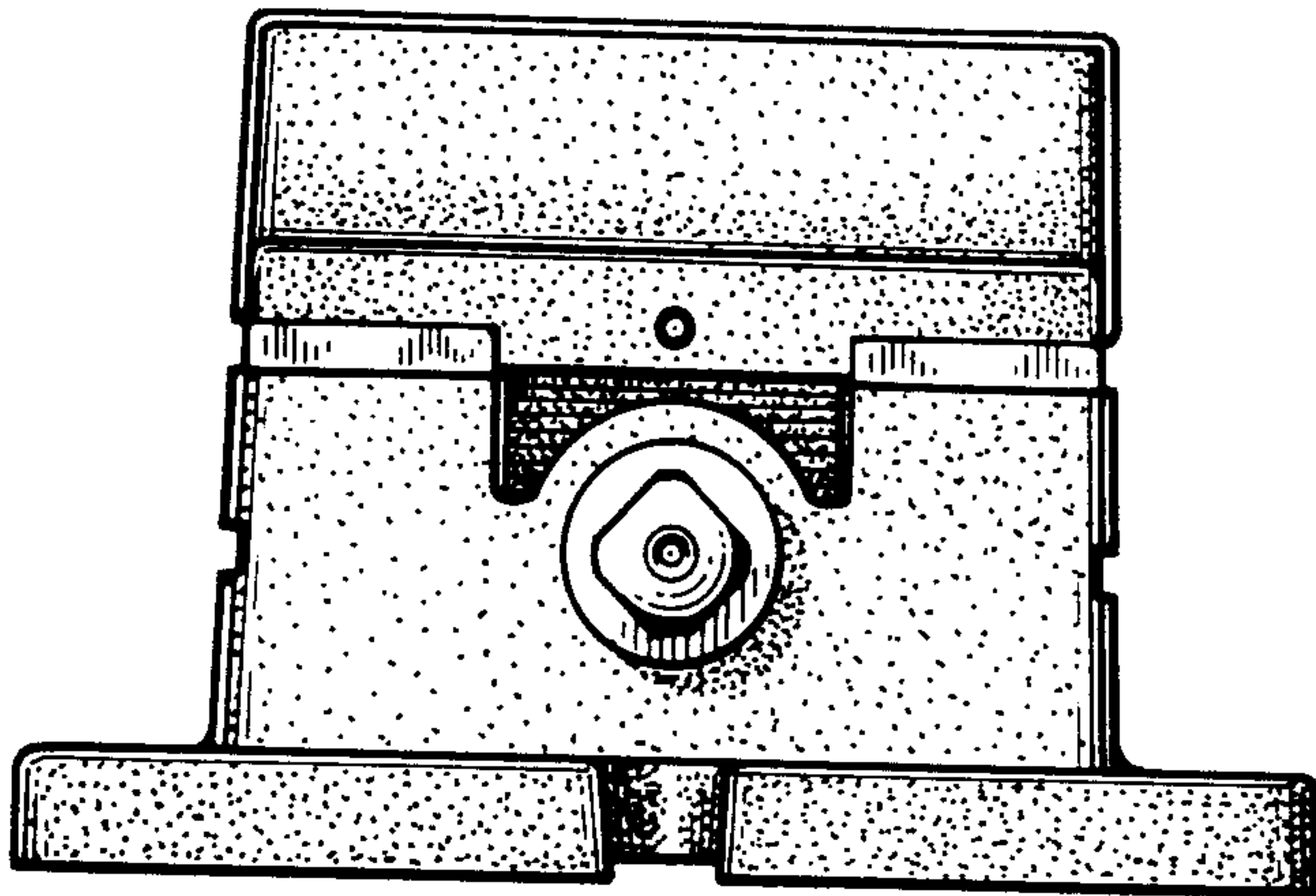
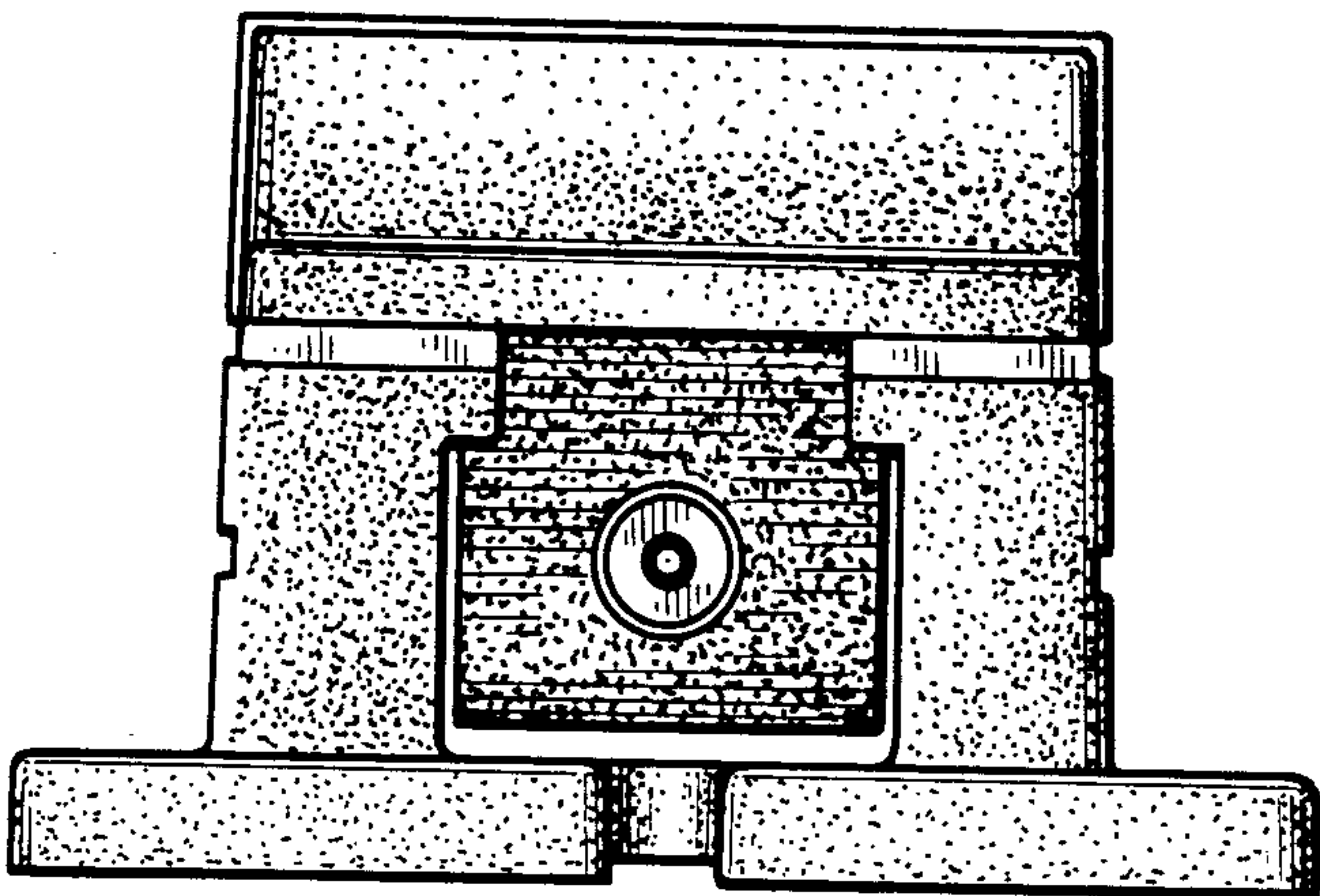


FIG. 4





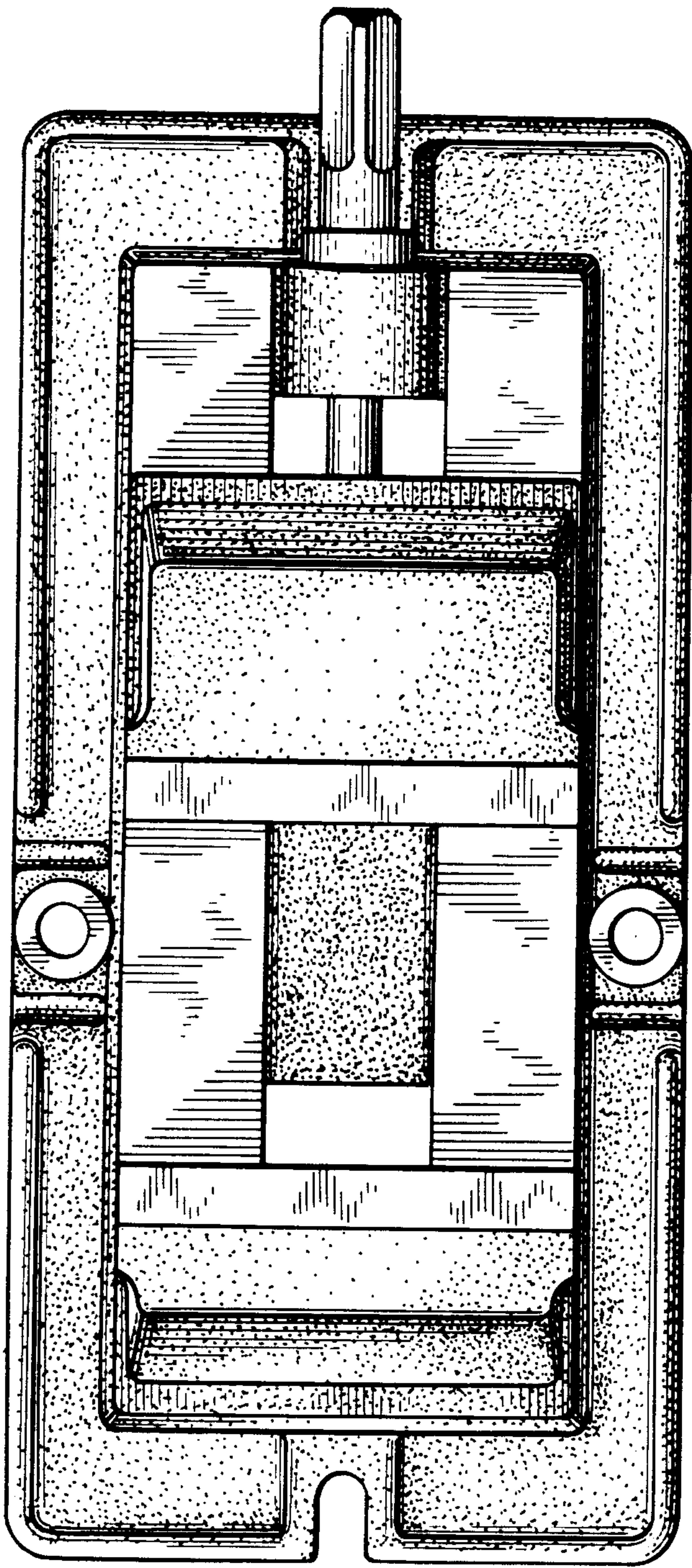


FIG. 5

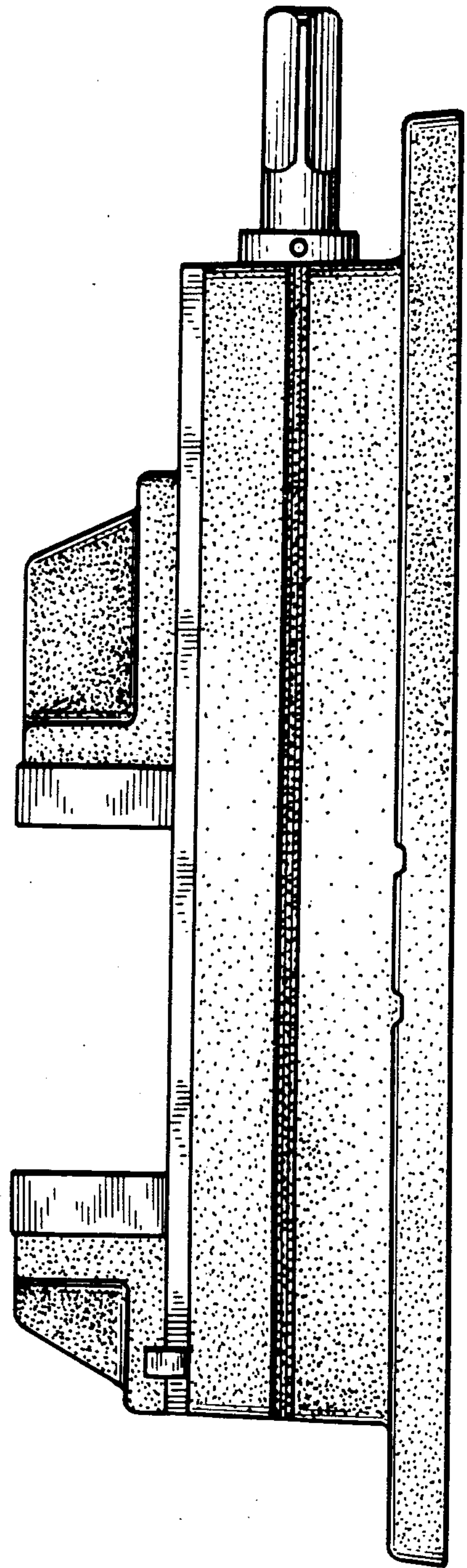


FIG. 2