

- [54] MODULAR CONTROL PANEL
- [75] Inventors: **Barnet Weinstein**, 14 Robert Rd., Marblehead, Mass. 01945; **John F. Price**, Peabody, Mass.
- [73] Assignee: **Barnet Weinstein**, Marblehead, Mass.
- [**] Term: **14 Years**
- [21] Appl. No.: **897,924**
- [22] Filed: **Apr. 19, 1978**
- [51] Int. Cl. **D13-03**
- [52] U.S. Cl. **D13/12**
- [58] Field of Search **D13/12, 11, 32, 35, D13/40, 41; 361/331, 332, 334, 342, 344, 346, 350, 356, 358, 364, 365, 366, 369, 380, 390, 391, 392, 394; 307/31, 33, 35, 52, 112, 125, 140, 154**

D. 238,181	12/1975	Roller	D13/35
3,279,871	10/1966	Bright	361/331 X
3,358,190	12/1967	Mathison	361/346

OTHER PUBLICATIONS

Electronic Engineering Co. of Calif. Passenger IFE/Service Control Box Flyer, 5, 1969, Custom Design, Control.

Primary Examiner—Susan J. Lucas
Attorney, Agent, or Firm—Stanley Sacks

[57] **CLAIM**

The ornamental design for a modular control panel, as shown and described.

DESCRIPTION

FIG. 1 is a front elevational view of a modular control panel showing our new design;
FIG. 2 is a right side elevational view;
FIG. 3 is a top plan view;
FIG. 4 is a bottom plan view;
FIG. 5 is a left side elevational view;
FIG. 6 is a rear elevational view.

- [56] **References Cited**
- U.S. PATENT DOCUMENTS**
- D. 220,765 5/1971 Romanias et al. D13/35

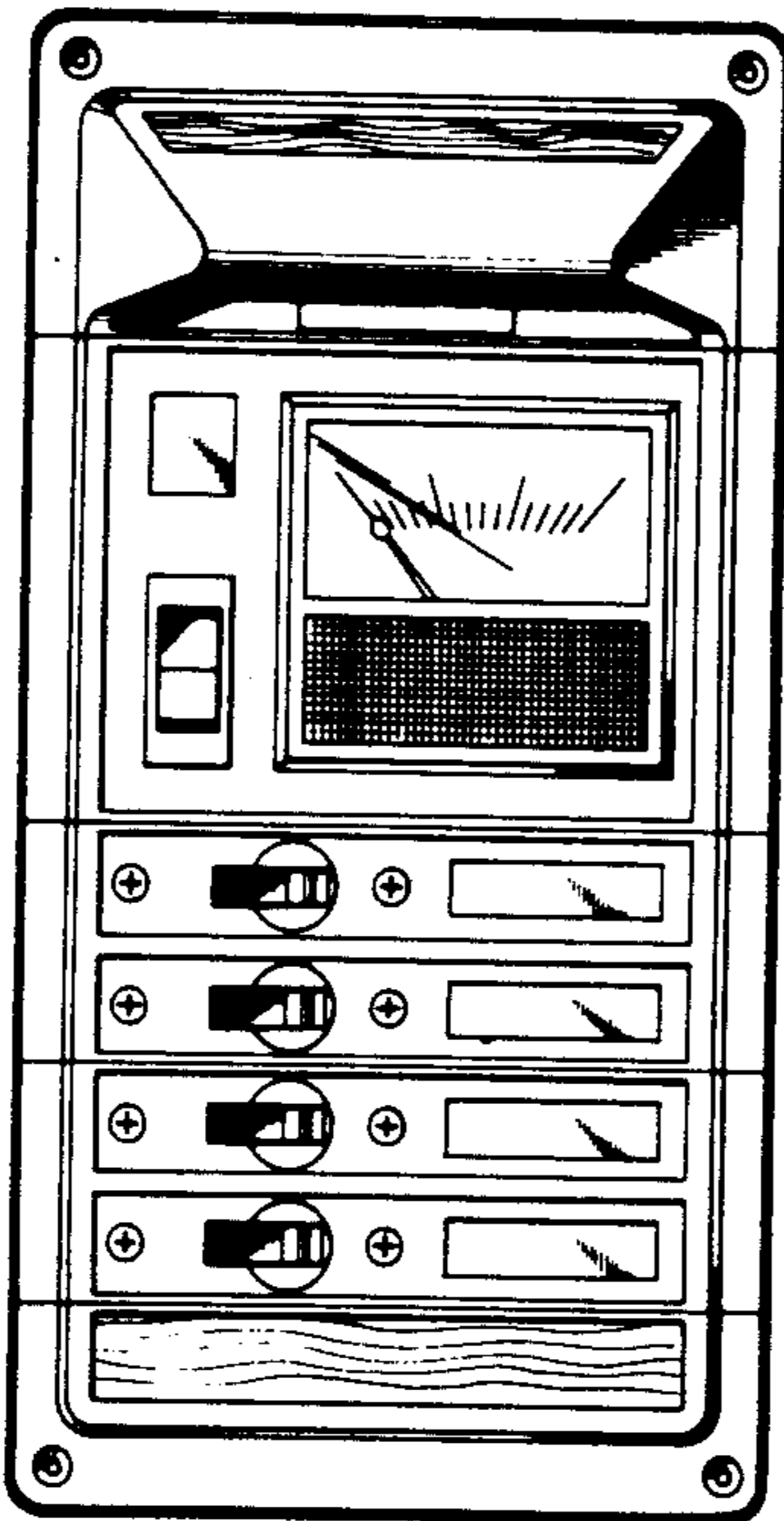


Fig. 1

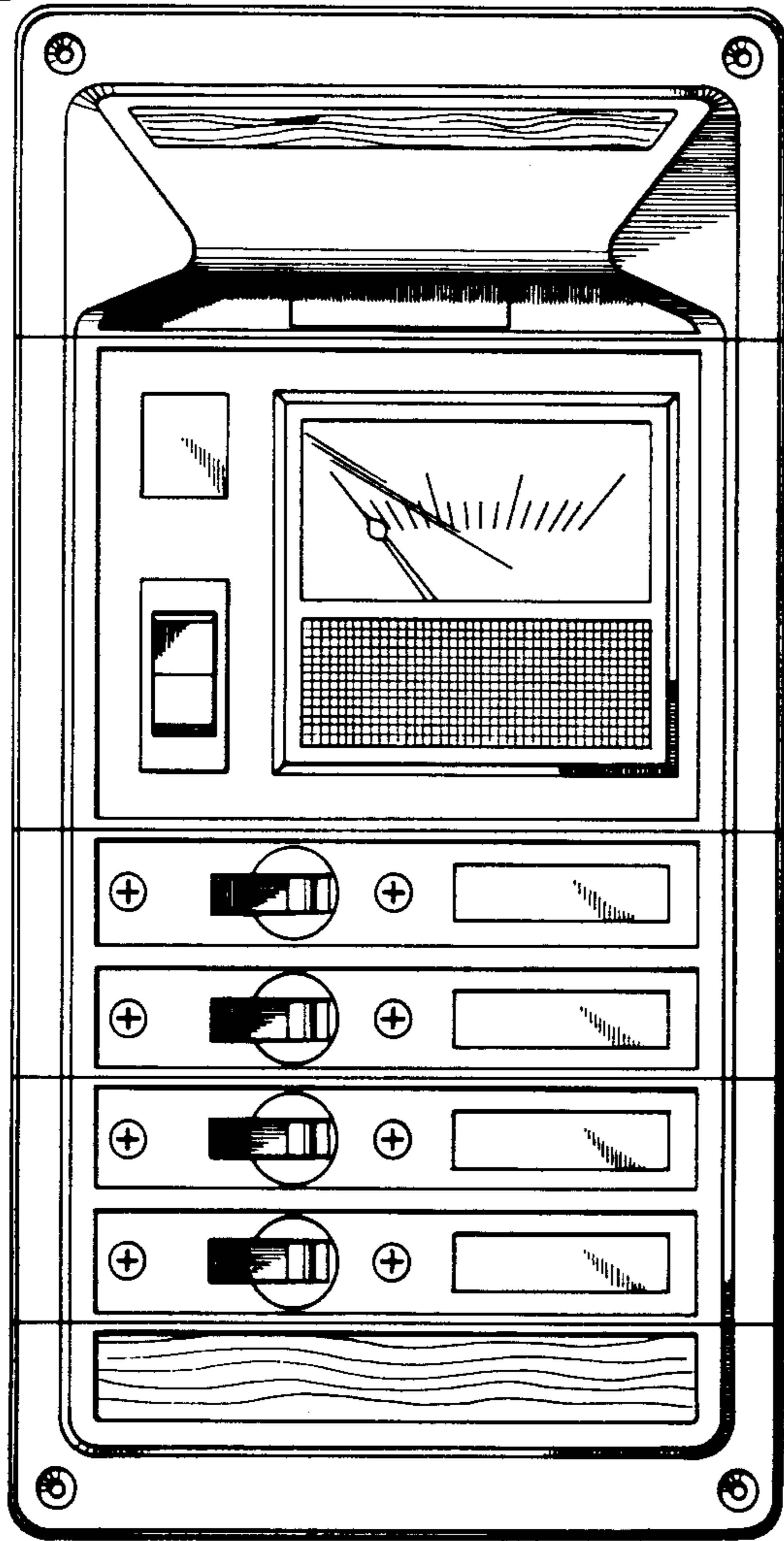


Fig. 2

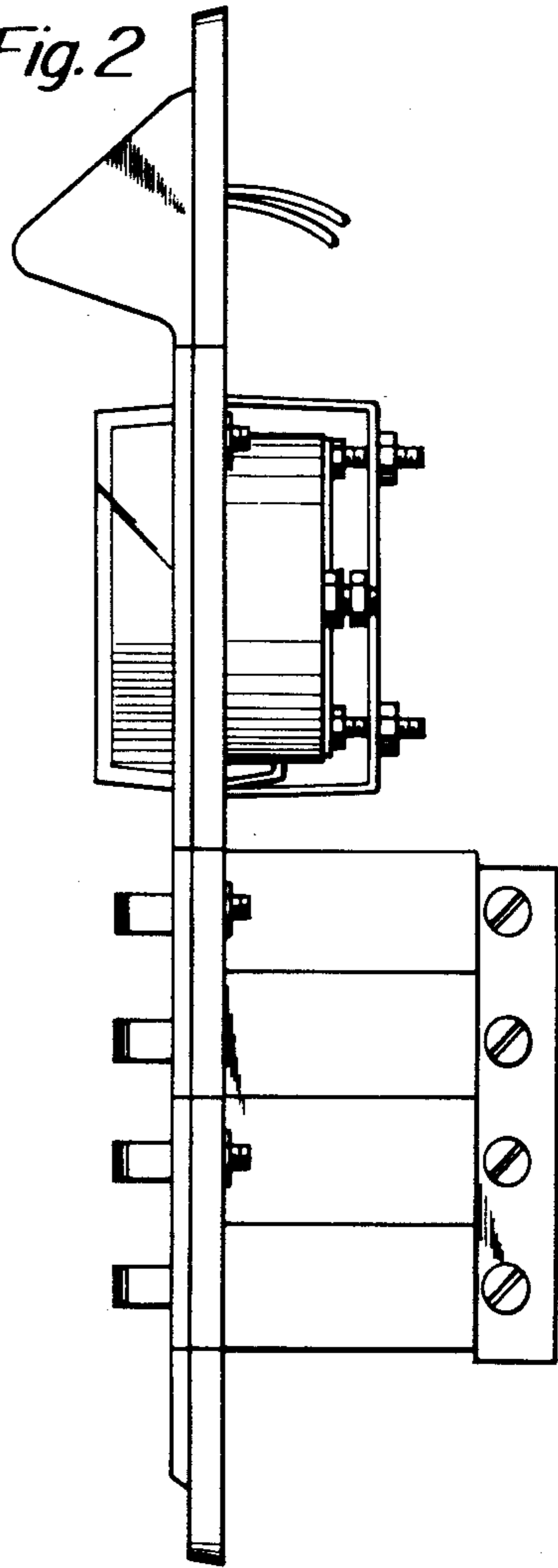


Fig. 3

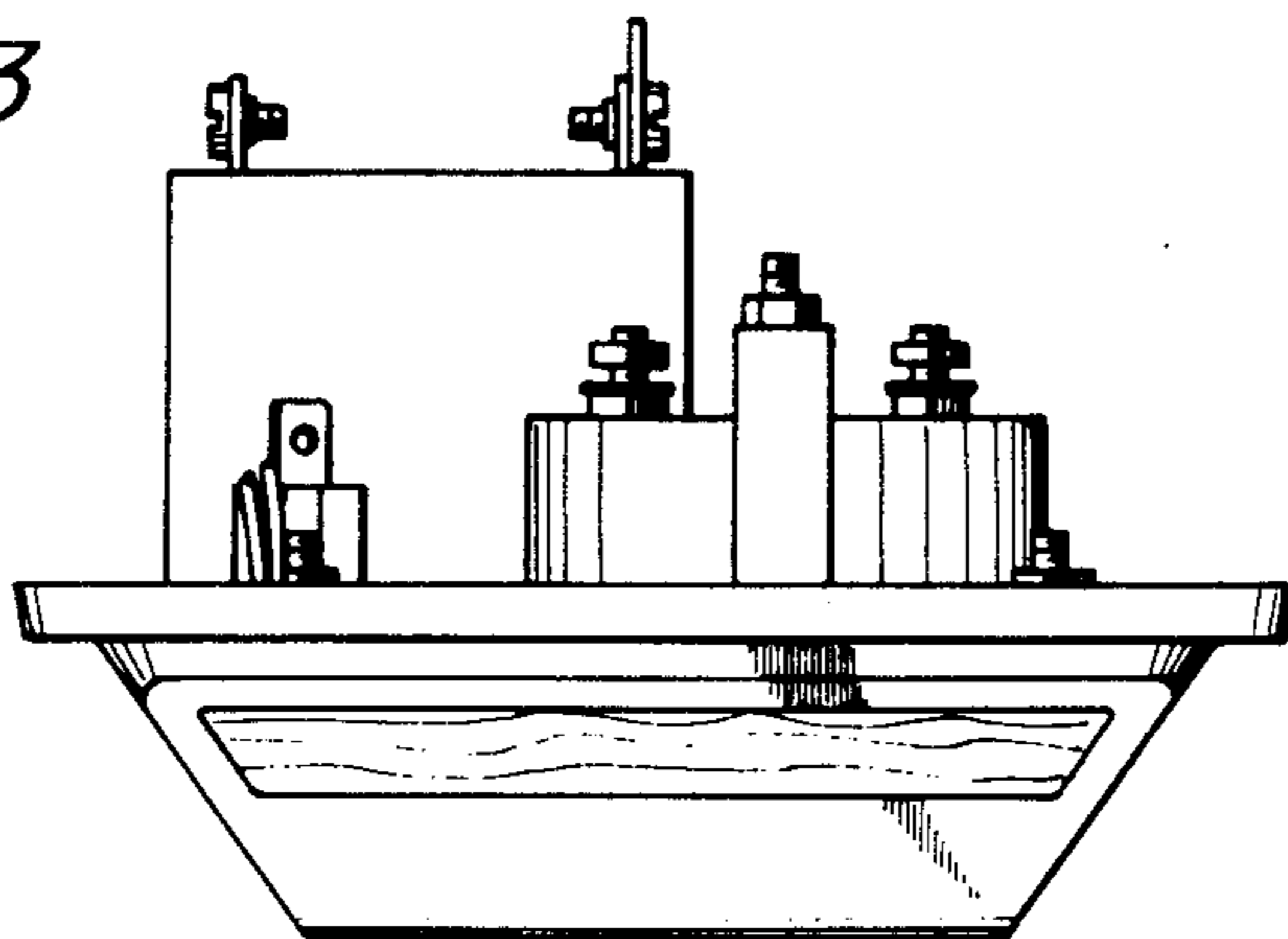


Fig. 4

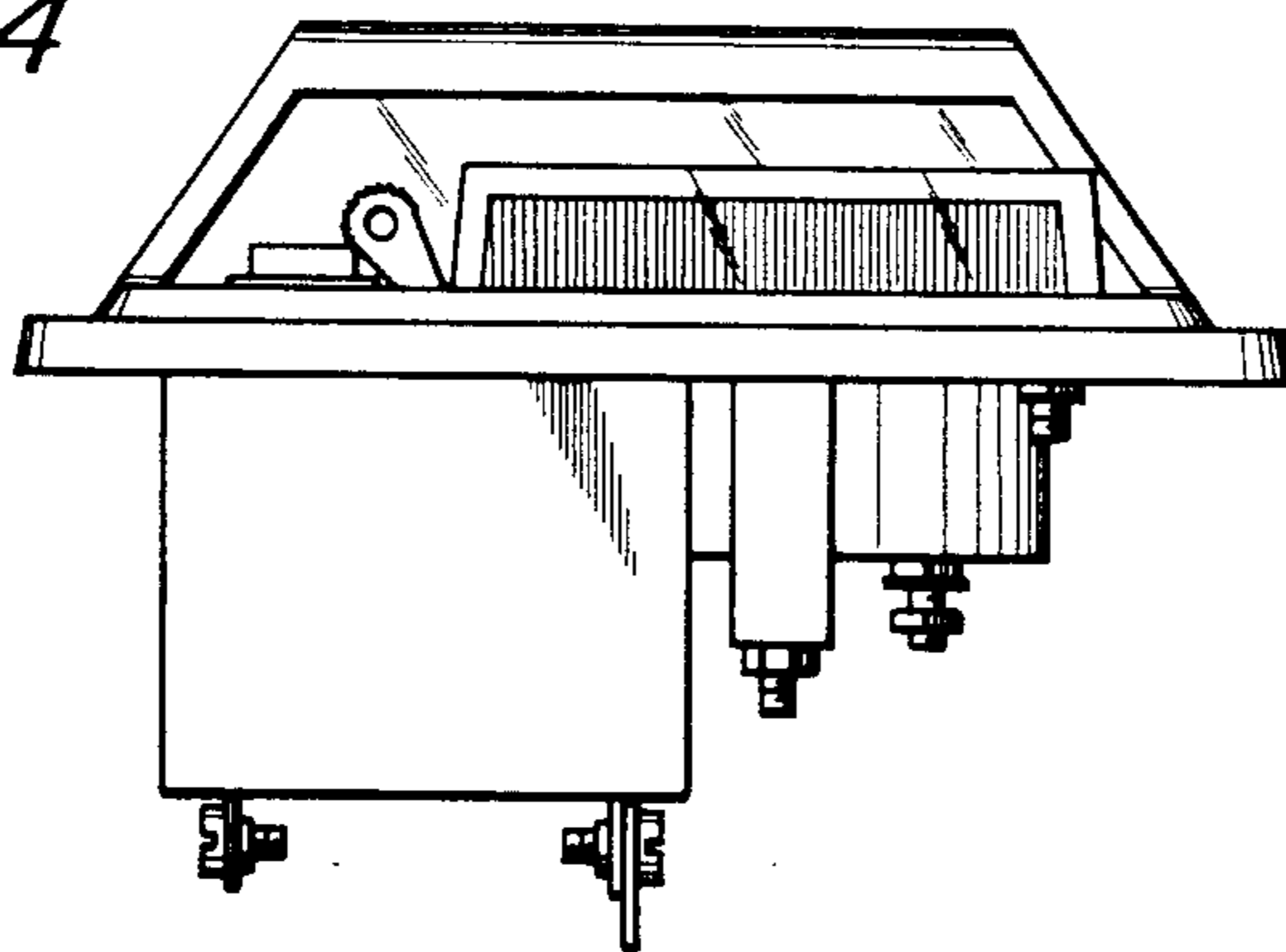


Fig. 5

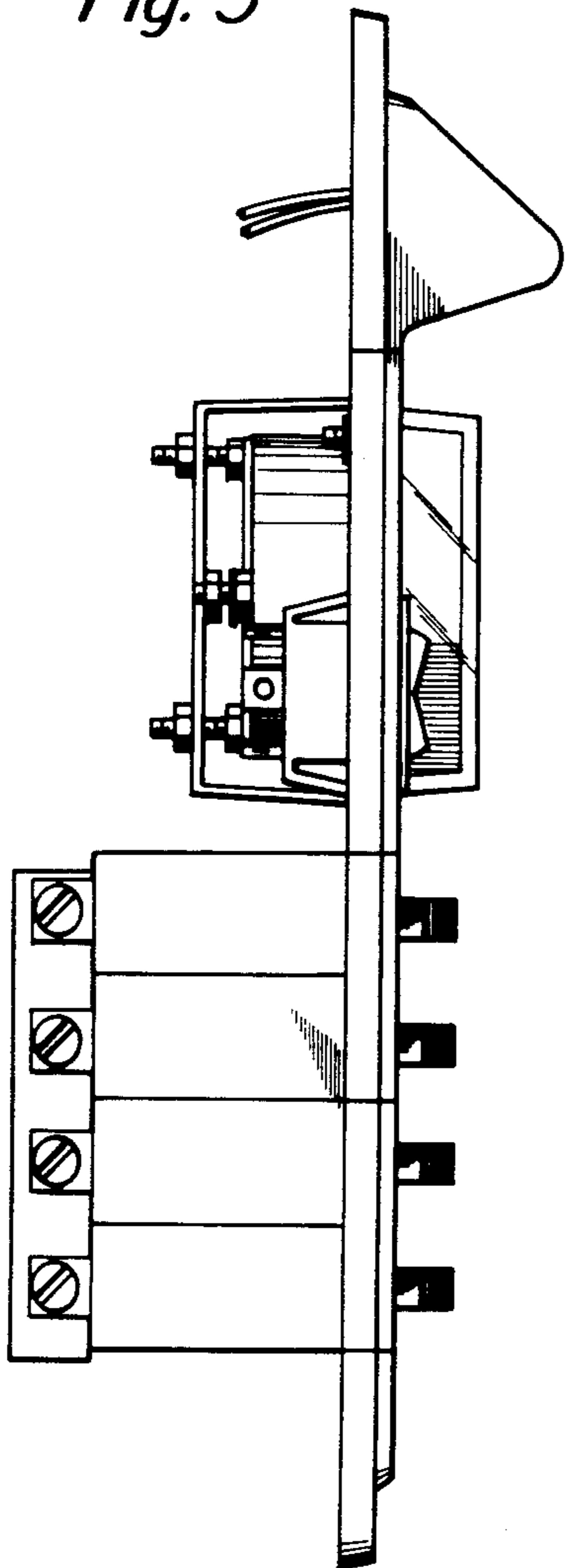


Fig. 6

