

[54] DISH
 [76] Inventor: Sharon Ottier, 15 Wray Ct., Rexdale, Ontario, Canada
 [**) Term: 14 Years
 [21] Appl. No.: 898,494
 [22] Filed: Apr. 20, 1978
 [51] Int. Cl. D7-01
 [52] U.S. Cl. D7/20; D7/21; D7/97
 [58] Field of Search D7/20, 21, 97, 23, 85, D7/27, 17

3,164,285 1/1965 Melich D7/17 X
 3,360,153 12/1967 Wheaton, Jr. D7/17 X

Primary Examiner—Winifred E. Herrmann
 Attorney, Agent, or Firm—Donald E. Hewson

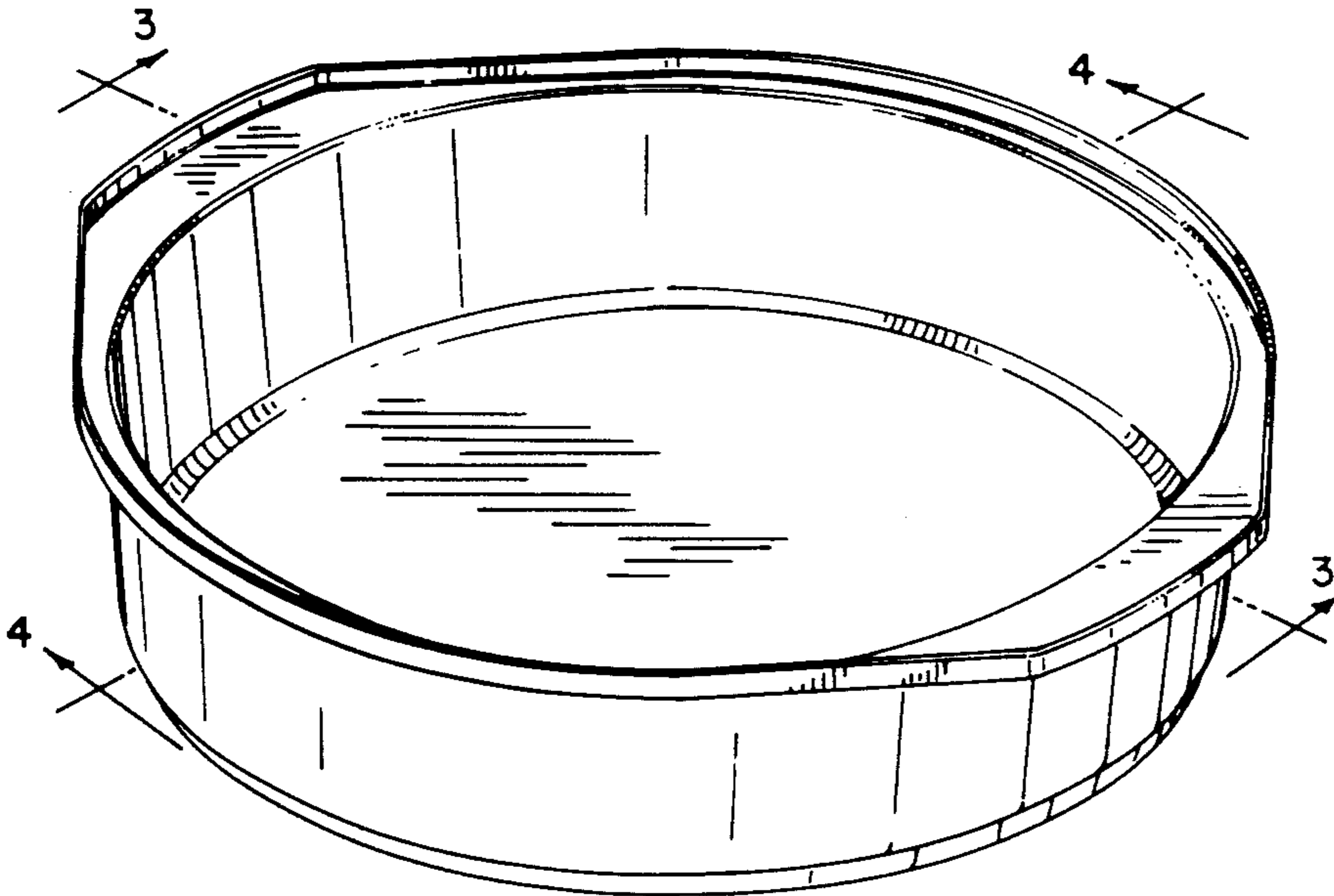
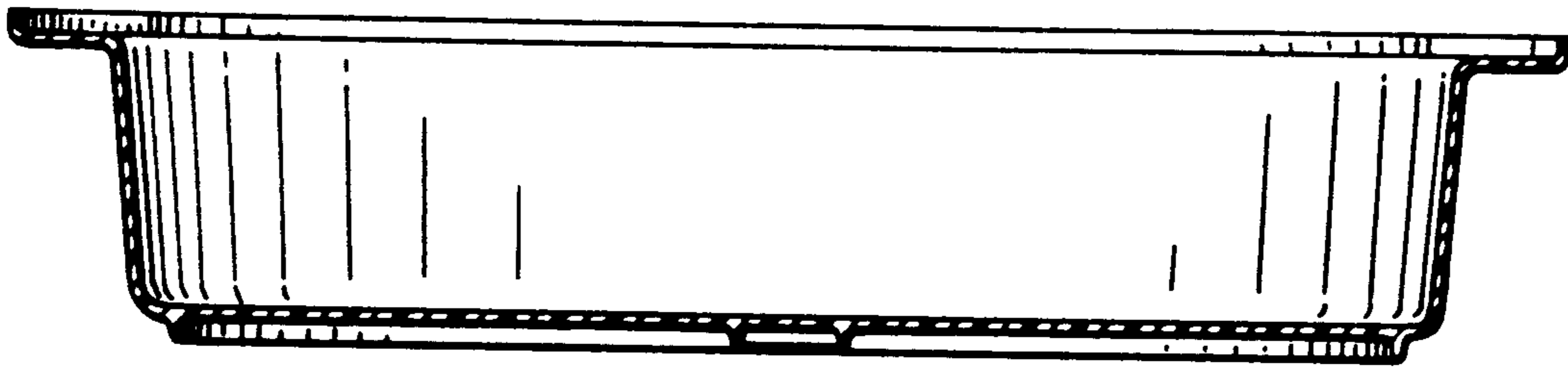
[57] CLAIM

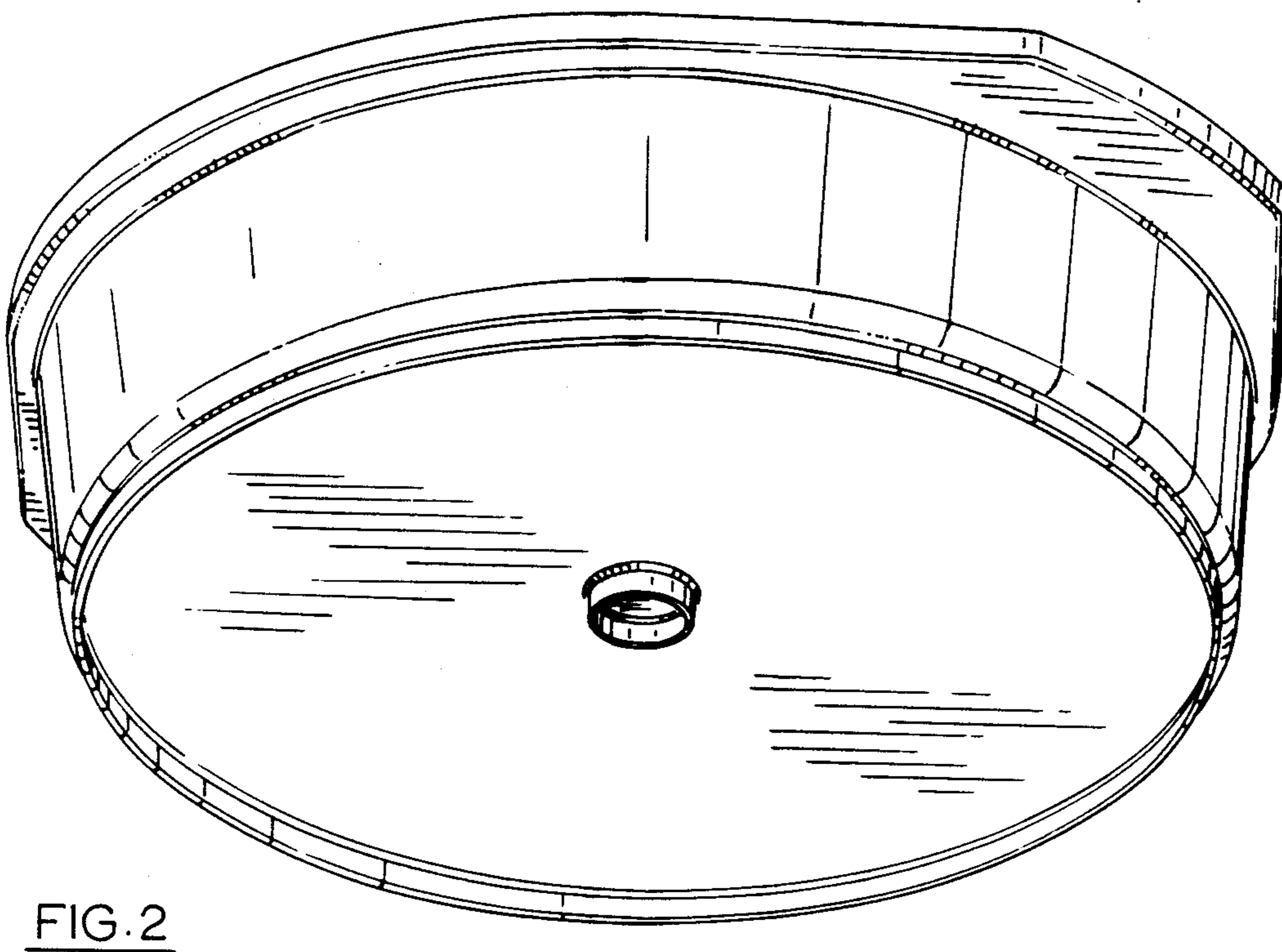
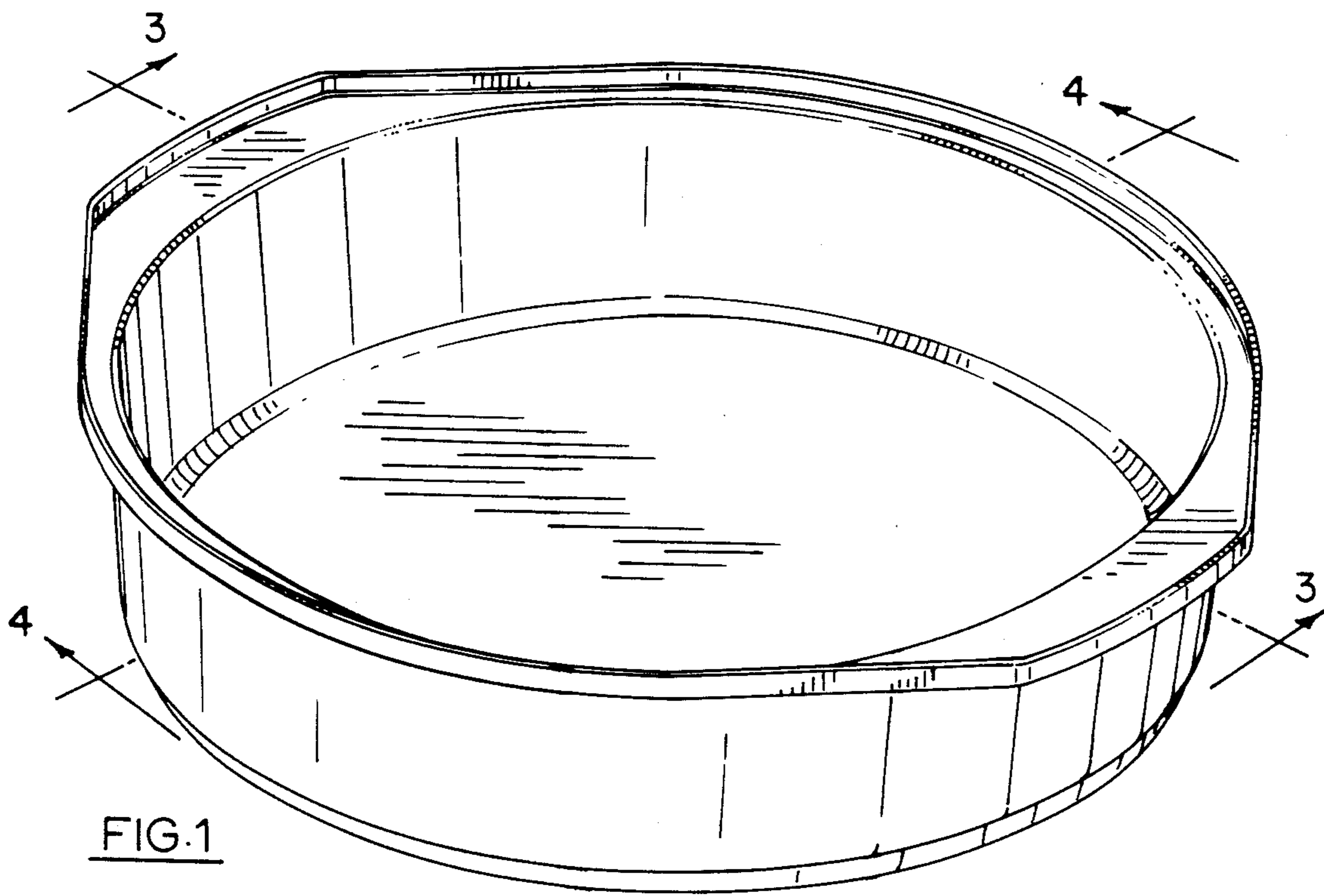
The ornamental design for a dish, as shown and described.

DESCRIPTION

FIG. 1 is a top front perspective view of a dish showing my new design;
 FIG. 2 is a bottom rear perspective view thereof;
 FIG. 3 is a cross section in the direction of arrows 3—3 in FIG. 1;
 FIG. 4 is a cross section in the direction of arrows 4—4 in FIG. 1; and
 FIG. 5 is a plan view, from below, of a dish showing my new design.

[56] References Cited
 U.S. PATENT DOCUMENTS
 D. 225,170 11/1972 Ashton et al. D7/21
 3,110,303 11/1963 Brownrigg D7/97 X





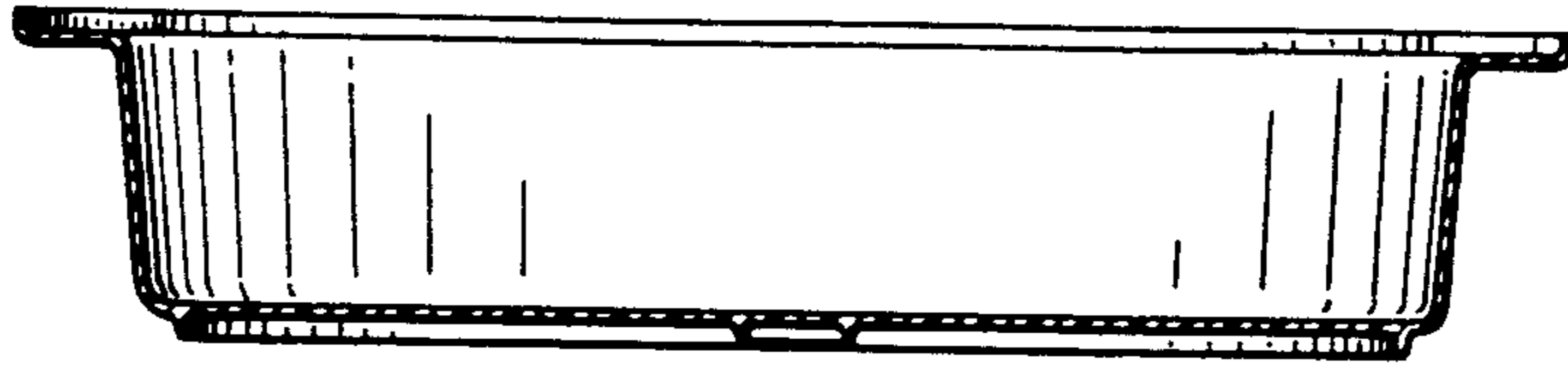


FIG. 3

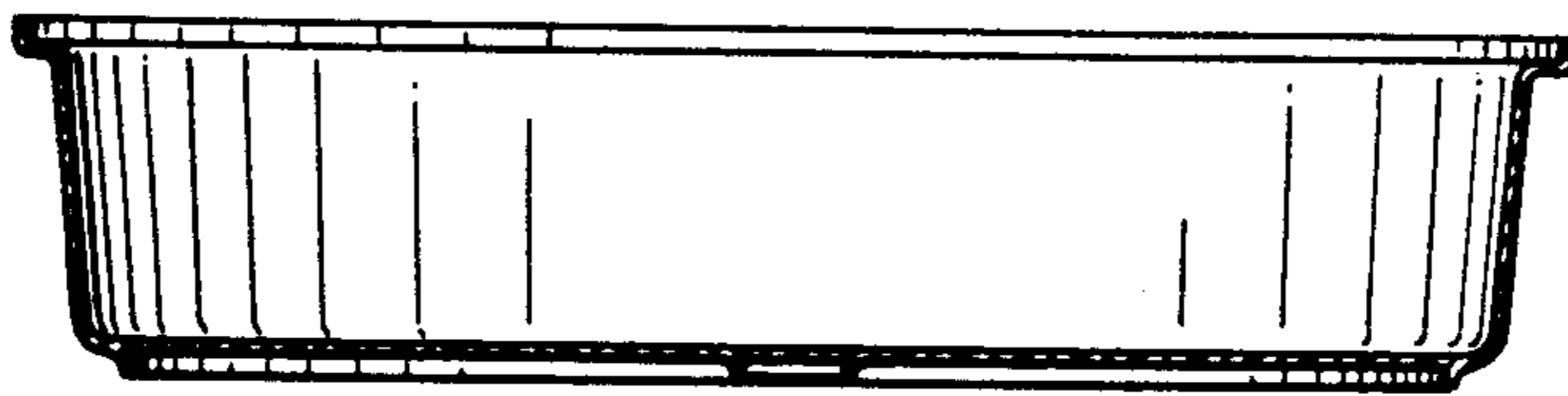


FIG. 4

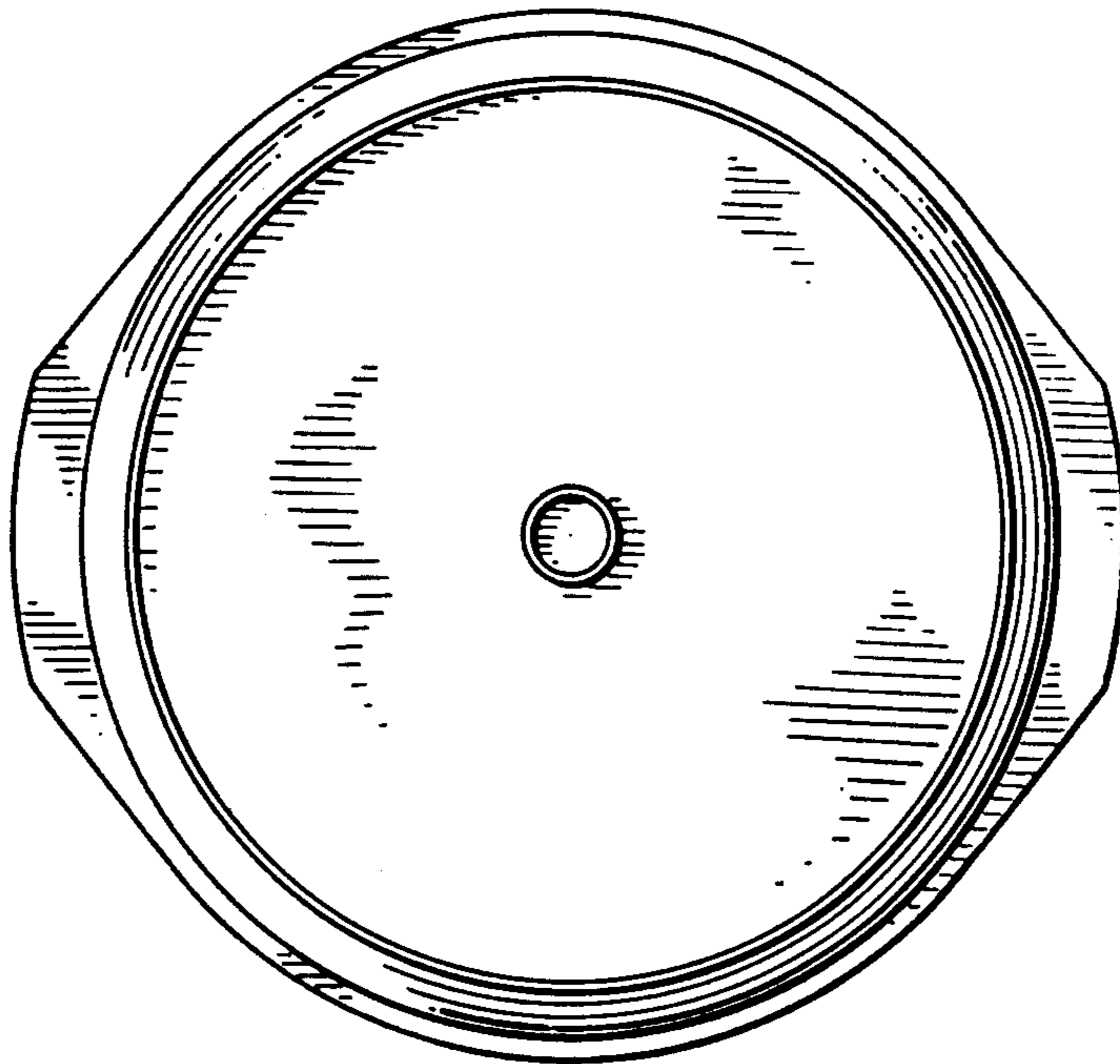


FIG. 5