

- [54] COLD STORAGE FOOD DRAWER FOR A BOAT OR THE LIKE
- [76] Inventor: Philip C. Sunset, 7735 Quinby Way, Sacramento, Calif. 95816
- [**] Term: 14 Years
- [21] Appl. No.: 659,416
- [22] Filed: Feb. 19, 1976
- [51] Int. Cl. D3-99
- [52] U.S. Cl. D3/78; D3/30
- [58] Field of Search D87/1 R; D6/167, 191; D12/155, 70, 157-158, 192; 296/37 R; 224/29 K; 9/1.1; D3/30, 78

[56] **References Cited**
U.S. PATENT DOCUMENTS

D. 59,862	11/1921	Paletou	D6/158
D. 132,962	7/1942	Salomon	D6/158
D. 216,781	3/1970	Hitch	D6/167
D. 230,966	3/1974	Hill	D12/192
D. 235,082	5/1975	Weaver	D2/155
3,958,289	5/1976	Carlson	9/1.1

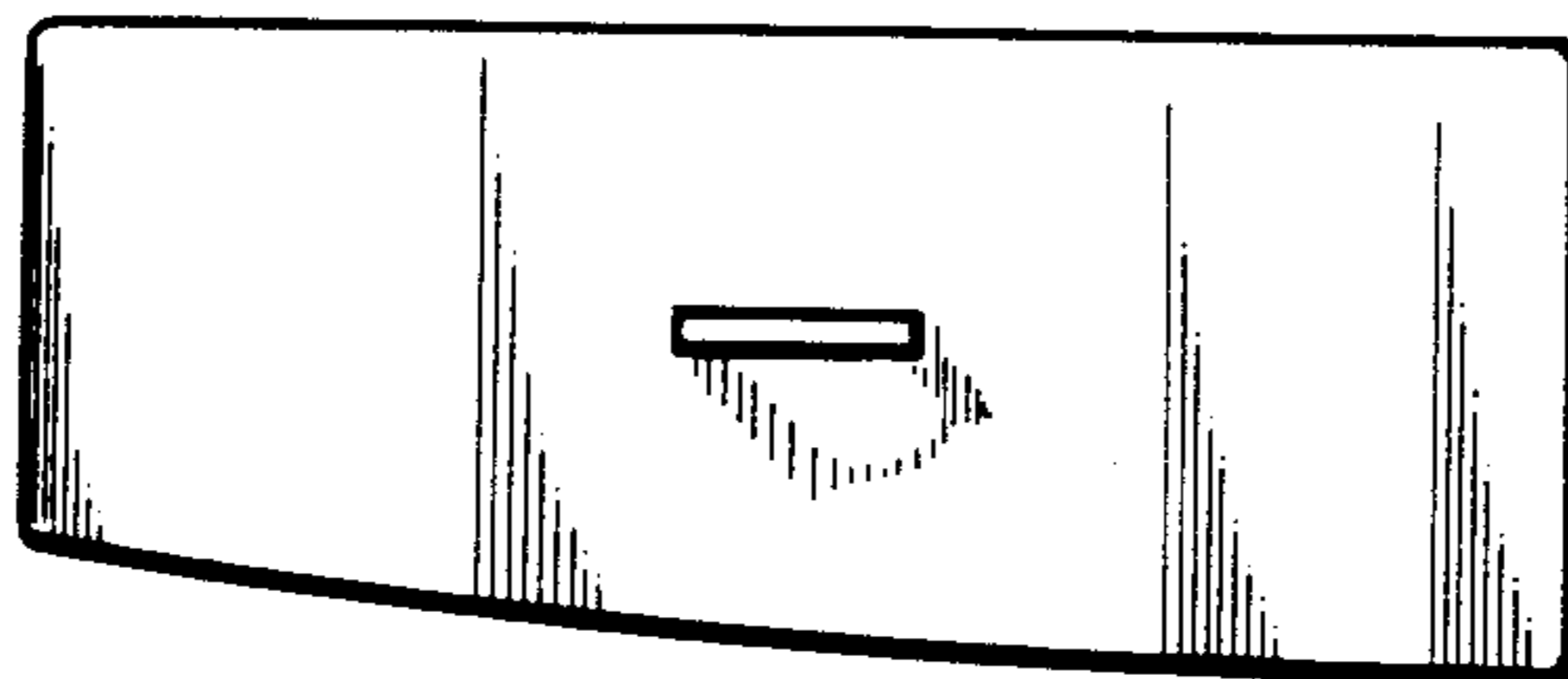
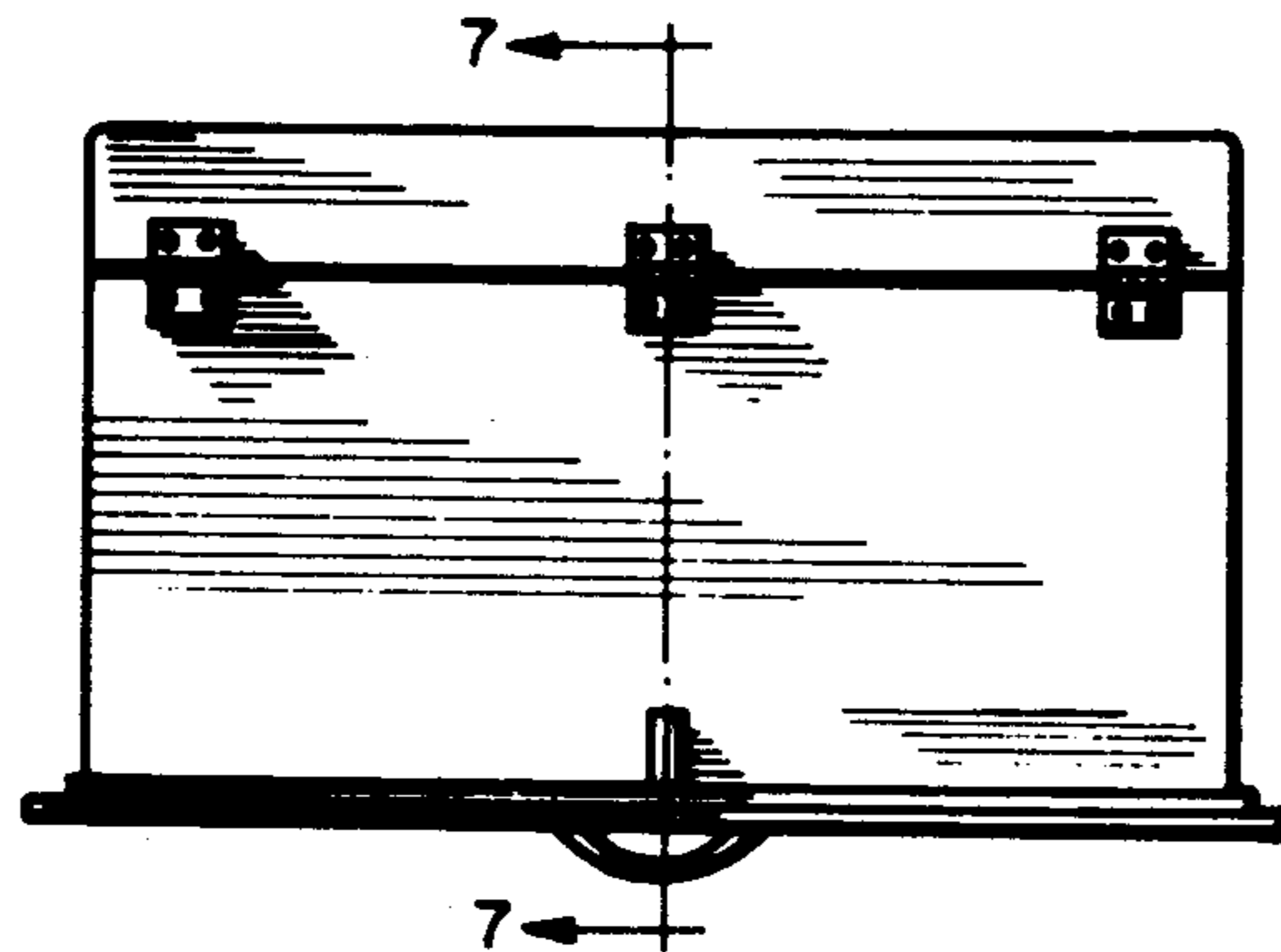
Primary Examiner—Joel Stearman
 Assistant Examiner—George P. Word
 Attorney, Agent, or Firm—Mark C. Jacobs

[57] **CLAIM**

The ornamental design for a cold storage food drawer for a boat or the like, substantially as shown and described.

DESCRIPTION

FIG. 1 is a top plan view of a cold storage food drawer for a boat showing my new design;
 FIG. 2 is a front elevational view thereof;
 FIG. 3 is a right side elevational view thereof;
 FIG. 4 is a left side elevational view thereof;
 FIG. 5 is a bottom plan view thereof;
 FIG. 6 is a rear elevational view of a second embodiment thereof;
 FIG. 7 is a cross-sectional view taken along line 7-7 of FIG. 1 but with the flap partially open;
 FIG. 8 is a third embodiment wherein the bottom front and rear edges are horizontal;
 FIG. 9 is a front elevational view of FIG. 6; and
 FIG. 10 is a rear elevational view of FIG. 2.



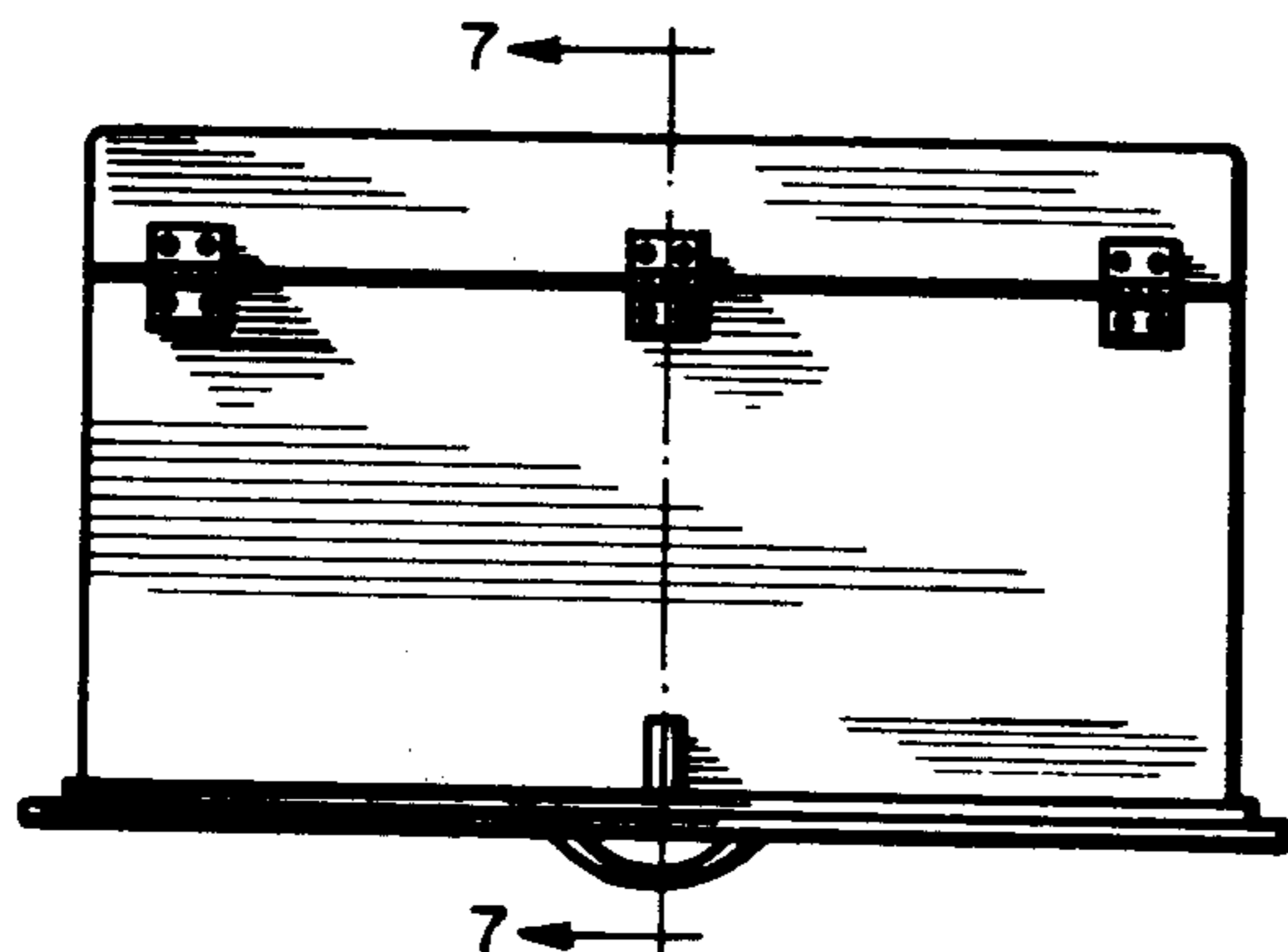


FIG 1



FIG 2

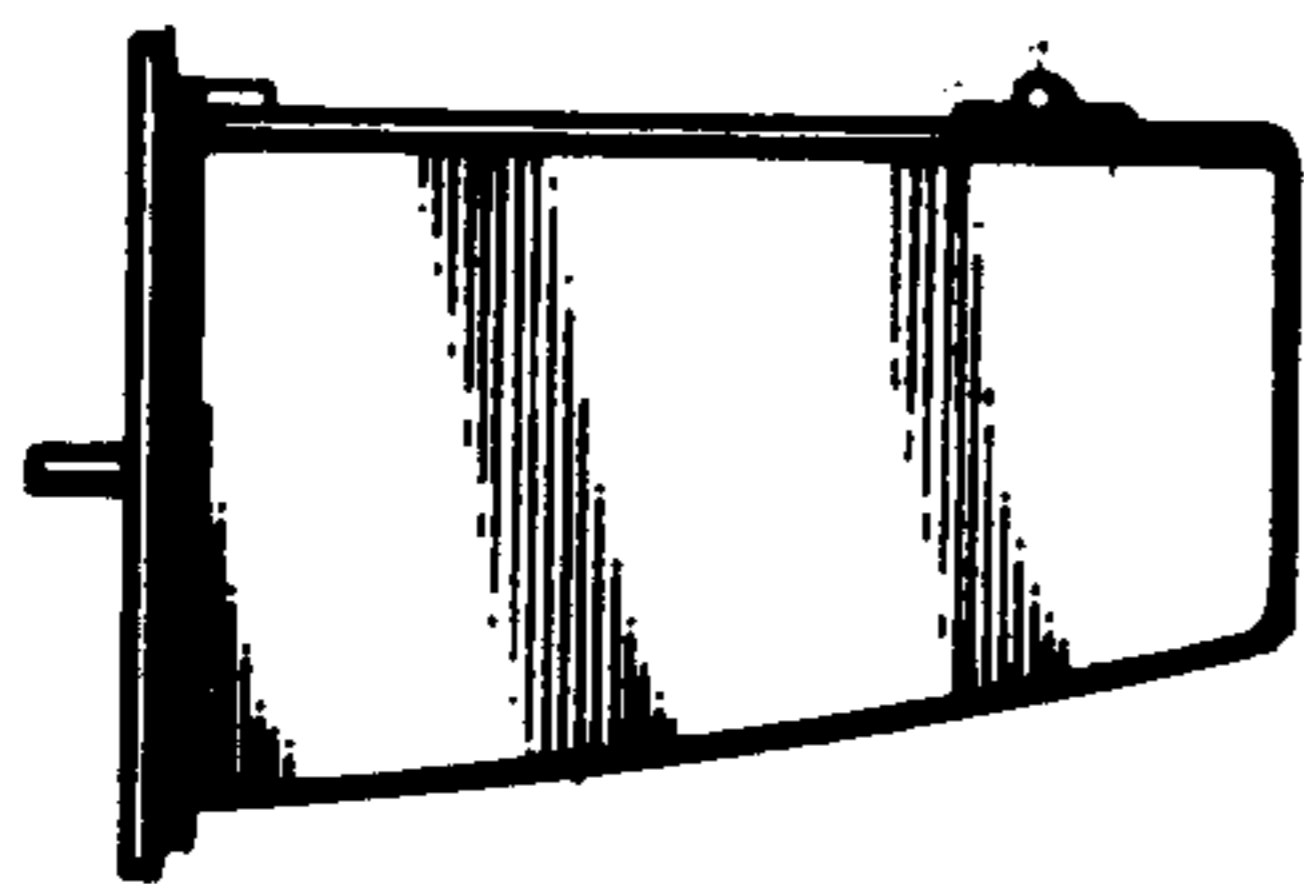


FIG 3

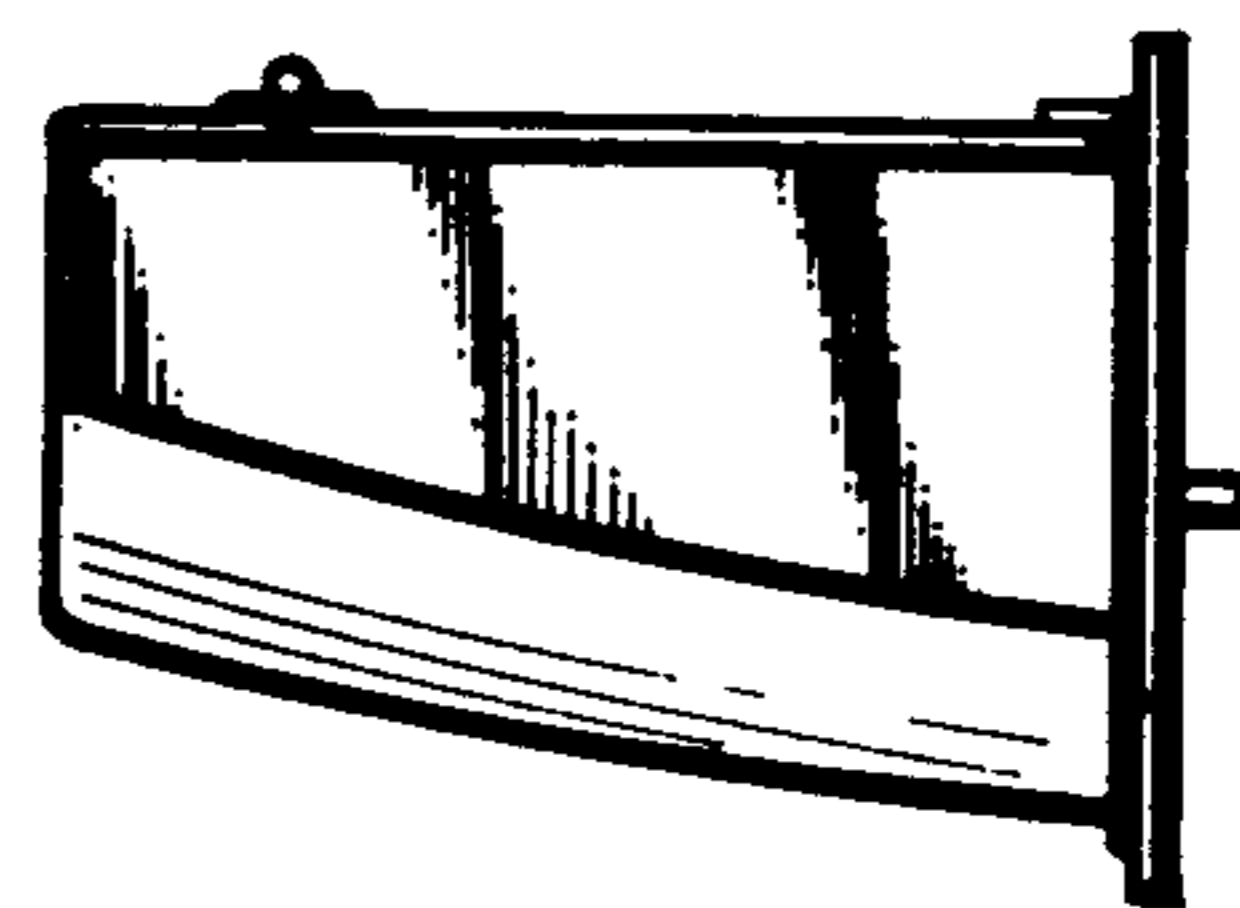


FIG 4

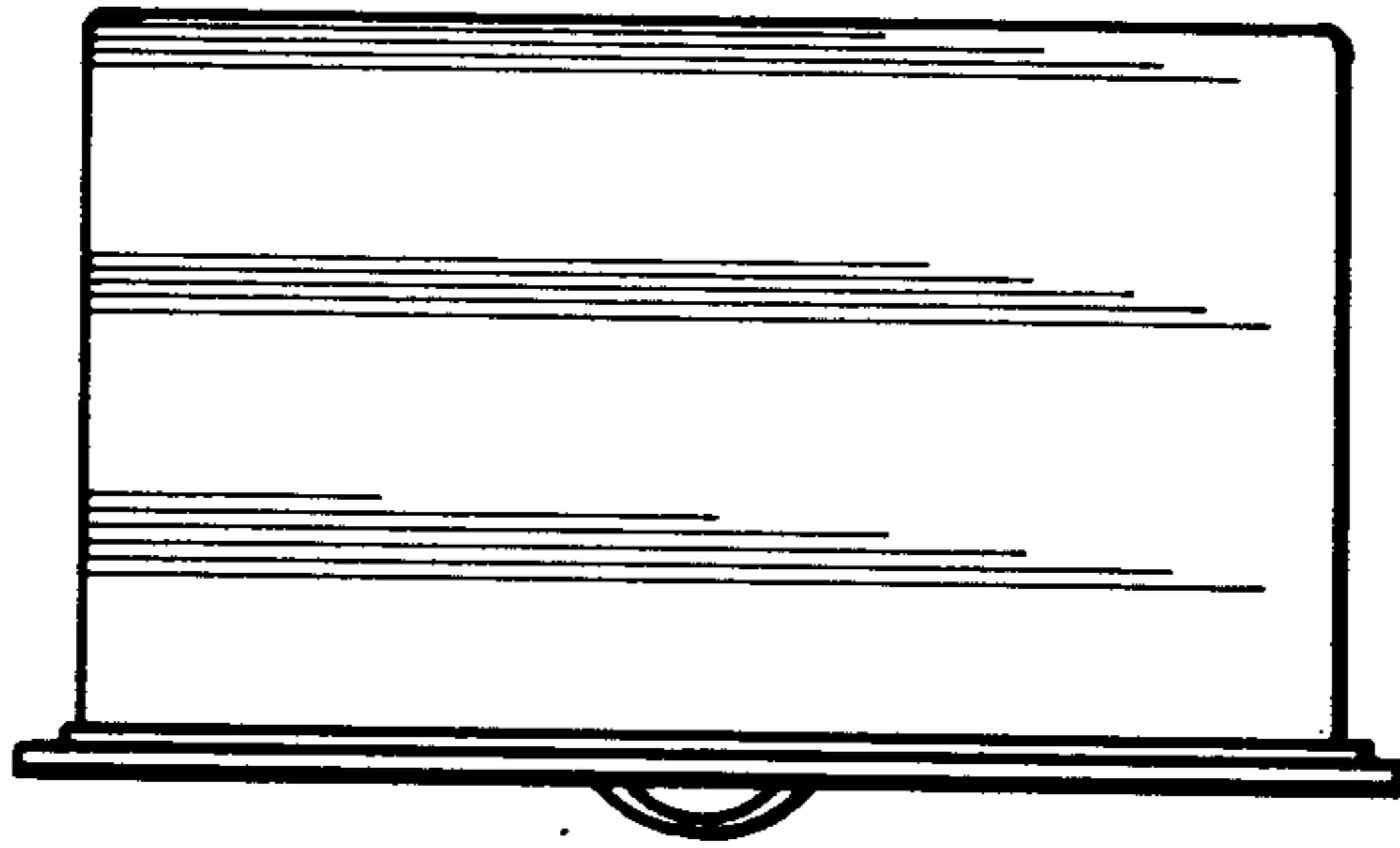


FIG 5

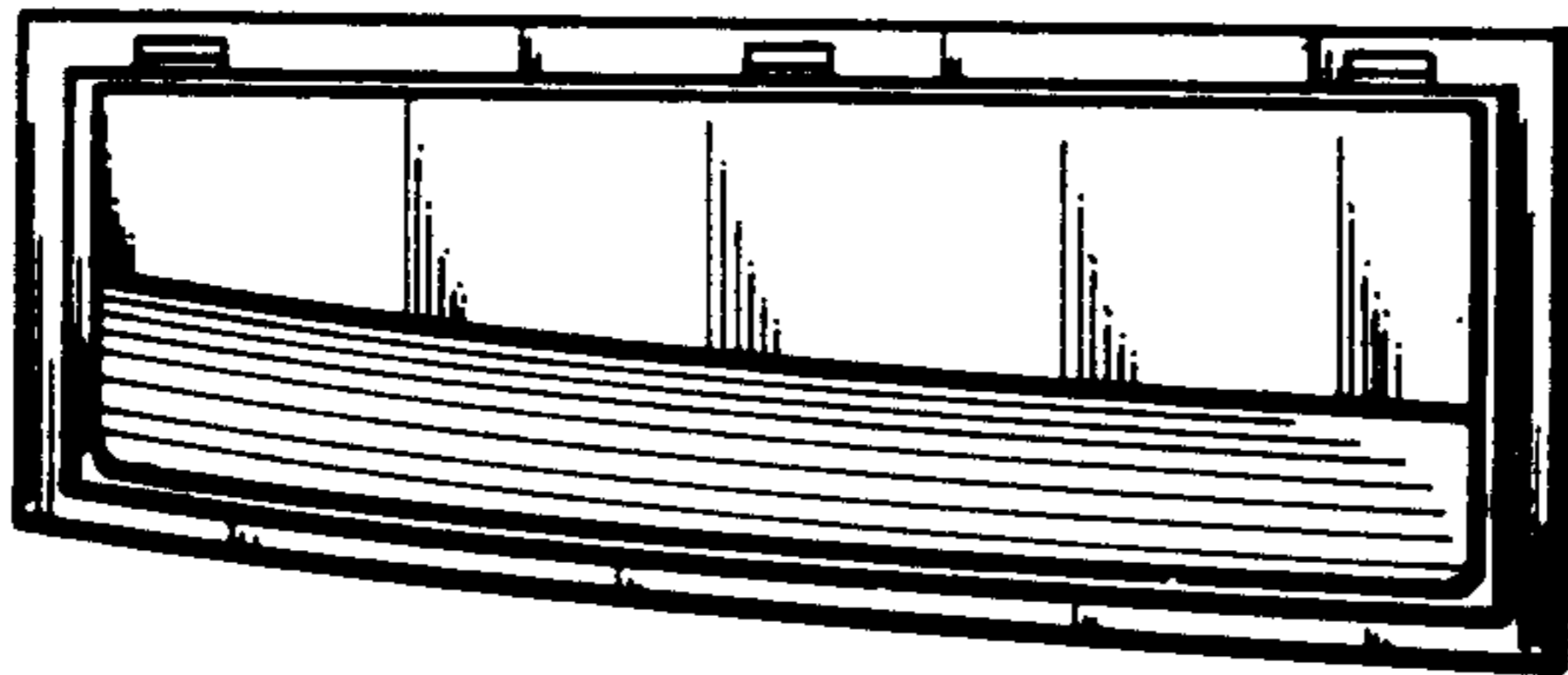


FIG 6

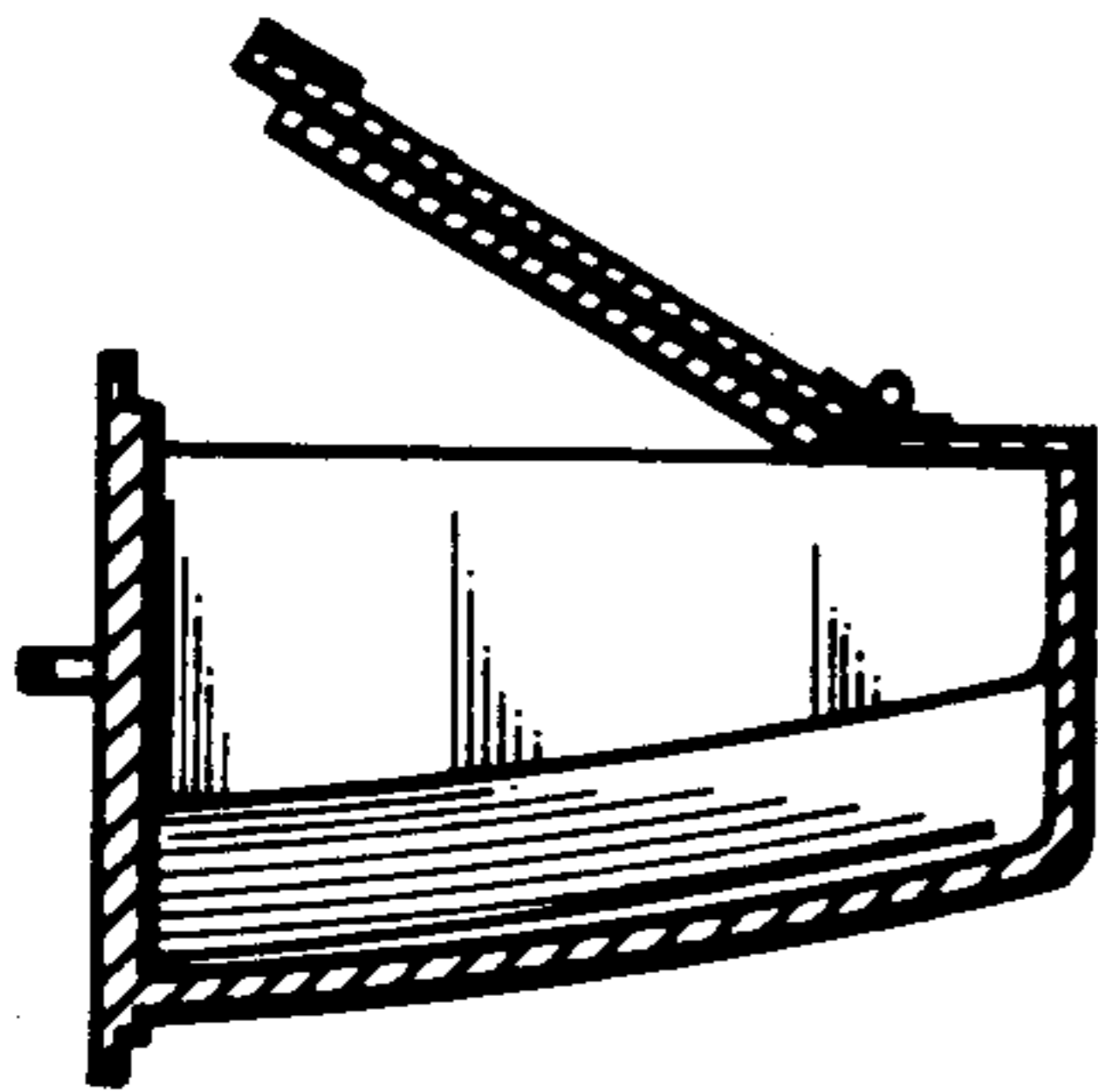


FIG 7



FIG. 9

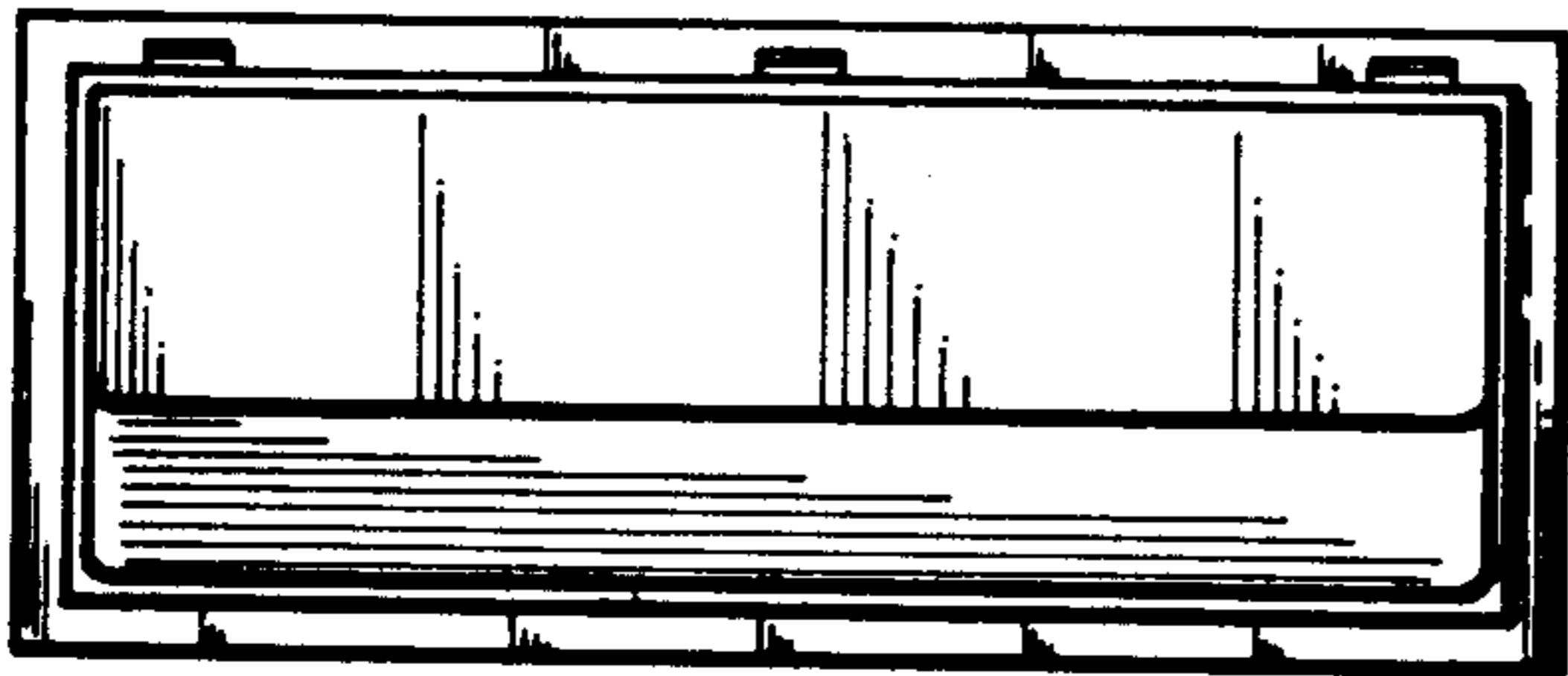


FIG. 8

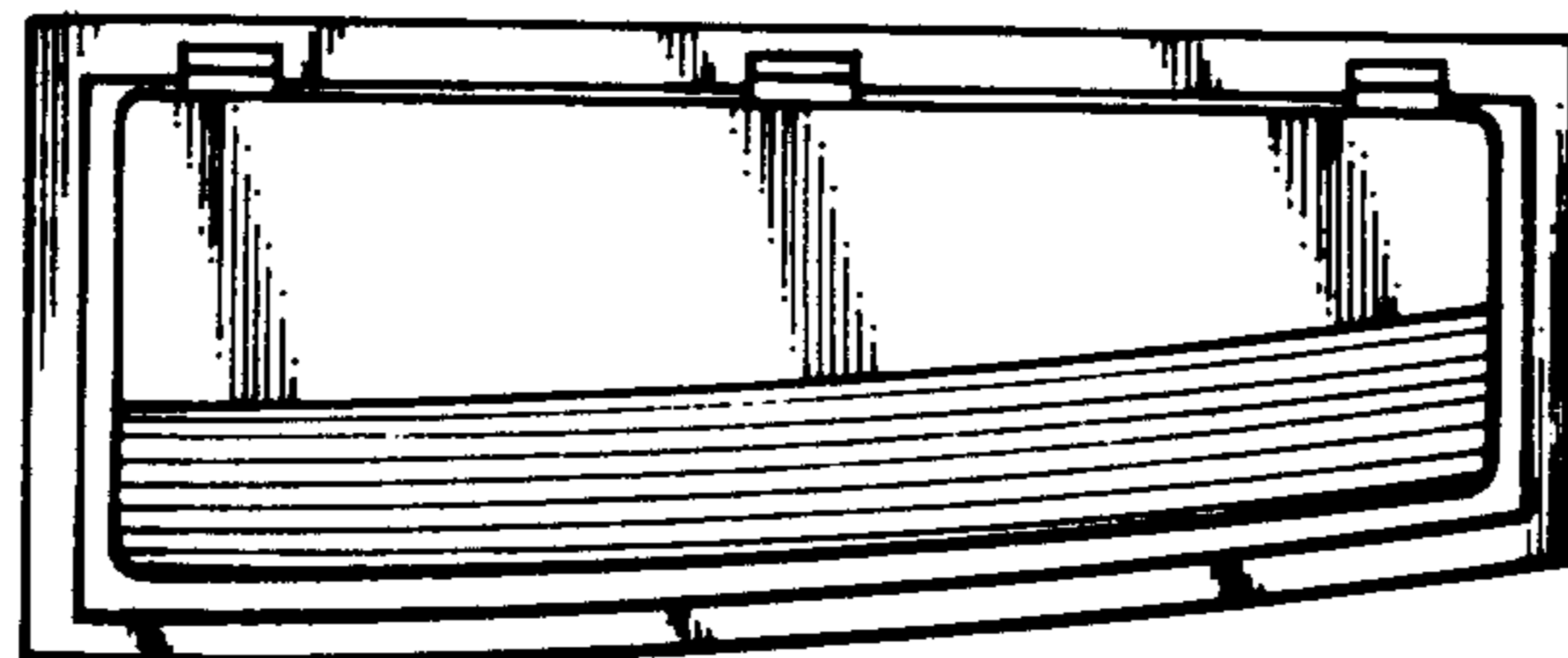


FIG. 10