

[54] BELT BUCKLE

[75] Inventor: Ryk Van Brouwer, Los Angeles, Calif.
[73] Assignee: Raintree Buckle & Jewelry, Inc., Los Angeles, Calif.
[**] Term: 14 Years
[21] Appl. No.: 846,624
[22] Filed: Oct. 28, 1977

[51] Int. Cl. D2-07
[52] U.S. Cl. D2/431
[58] Field of Search D2/380-393, D2/405, 431, 432, 433, 439, 440, 442, 444, 447, 448; D11/40, 44, 48, 49, 50, 57, 58, 79, 81, 82, 99, 100, 107, 134, 137, 158, 157, 162; 2/311, 321, 322; 24/168 R, 186, 187, 197, 198, 199, 200, 163 K; 63/2, 21

[56] References Cited
U.S. PATENT DOCUMENTS

D. 43,593 2/1913 Fischer D11/158
D. 242,506 11/1976 Dolas D2/431

OTHER PUBLICATIONS

Men's Wear Pub. Nov. 1971, p. 113, Flat Buckle with Butterfly.
The Christmas Trail, Abercrombie & Co., Nov. 1938, p. 4, Leather Waste Paper Basket.
Guns and Ammo, Dec. 1974, vol. 18, p. 27, center left, Belt Buckle.

Primary Examiner—Joel Stearman
Assistant Examiner—Carmen H. Vales
Attorney, Agent, or Firm—Warren L. Patton

[57] CLAIM

The ornamental design for belt buckle, substantially as shown and described.

DESCRIPTION

FIG. 1 is a front elevational view of a belt buckle, showing my new design;
FIG. 2 is a side elevational view taken from the right-hand side of FIG. 1;
FIG. 3 is a top plan view; and
FIG. 4 is a rear elevational view.
The dominant feature of my invention resides in the representation of a caribou lying within the border of a belt buckle.





Fig. 1

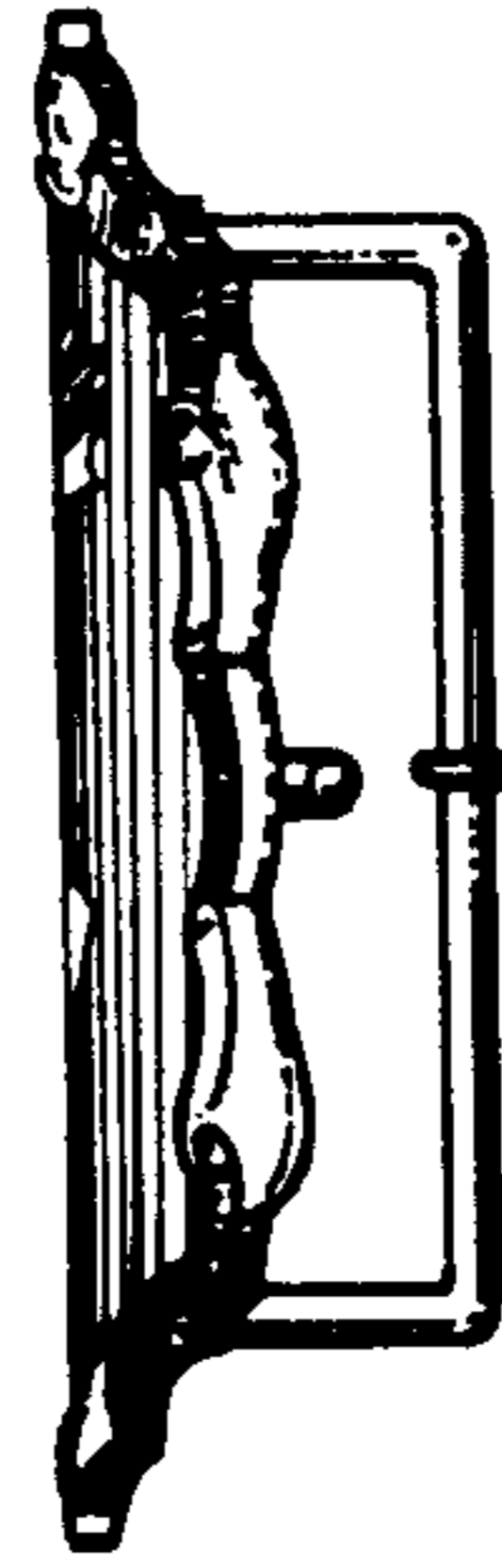


Fig. 2

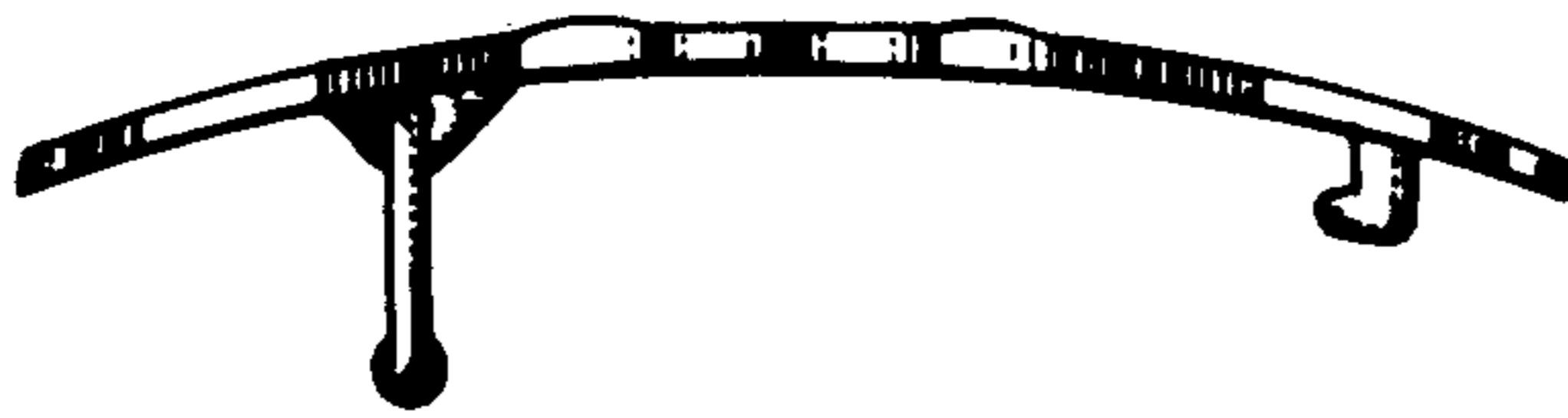


Fig. 3

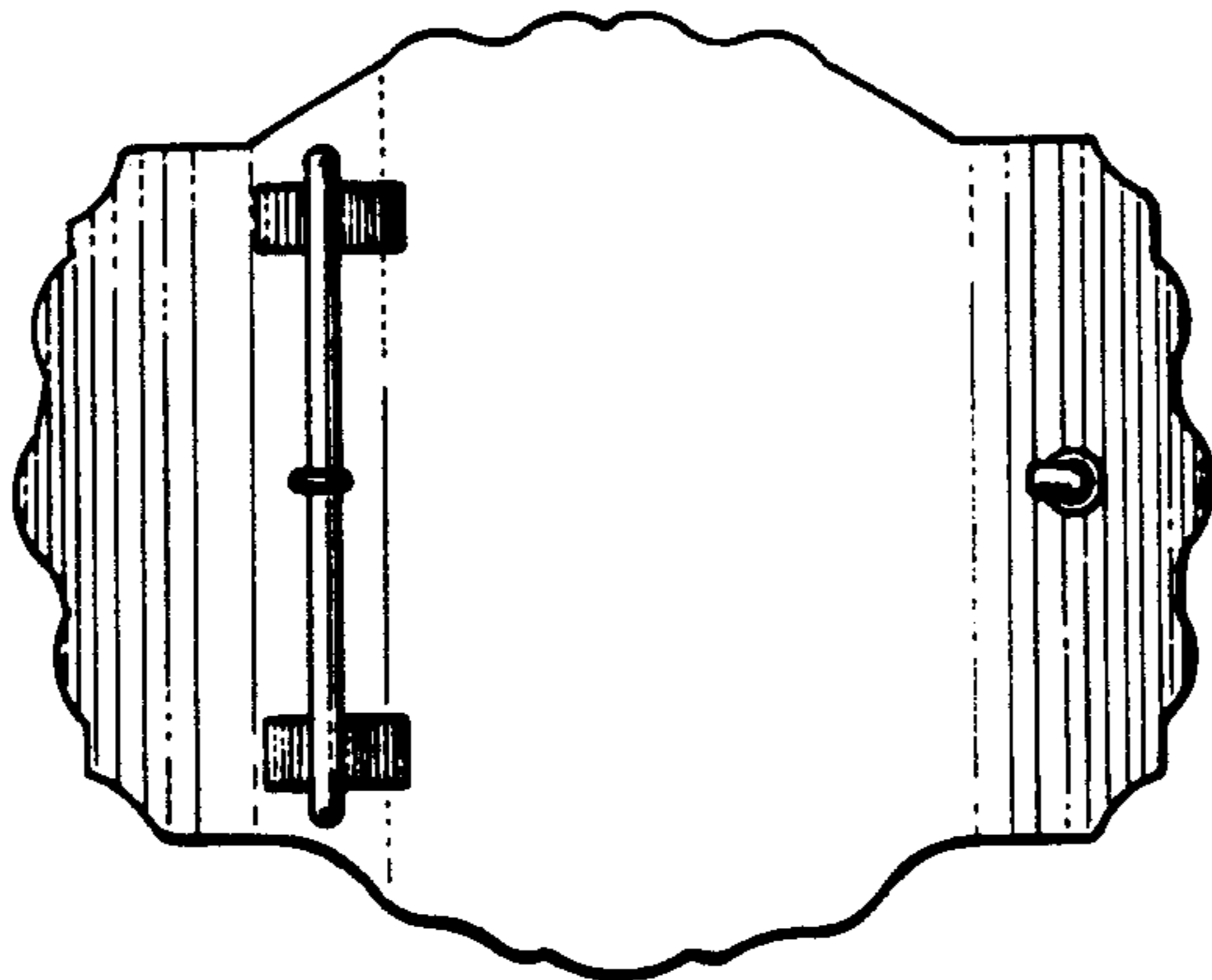


Fig. 4