

[54] COMBINED NEWSPAPER DELIVERY BOX AND MAILBOX SUPPORT

[76] Inventor: Joel W. Hodge, 208 Riverview Ct., Elizabethton, Tenn. 37643

[\*\*] Term: 14 Years

[21] Appl. No.: 844,513

[22] Filed: Oct. 21, 1977

[51] Int. Cl. .... D31-00

[52] U.S. Cl. .... D99/29

[58] Field of Search ..... D99/29, 33; 232/17, 232/19, 24, 27, 1 C

[56] References Cited

U.S. PATENT DOCUMENTS

2,485,707	10/1949	Cummins	.....	232/1 C
3,960,316	6/1976	Echterling	.....	232/1 C

Primary Examiner—James M. Gandy  
Attorney, Agent, or Firm—R. Laddie Taylor

[57] CLAIM

The ornamental design for a combined newspaper delivery box and mailbox support, as shown and described.

DESCRIPTION

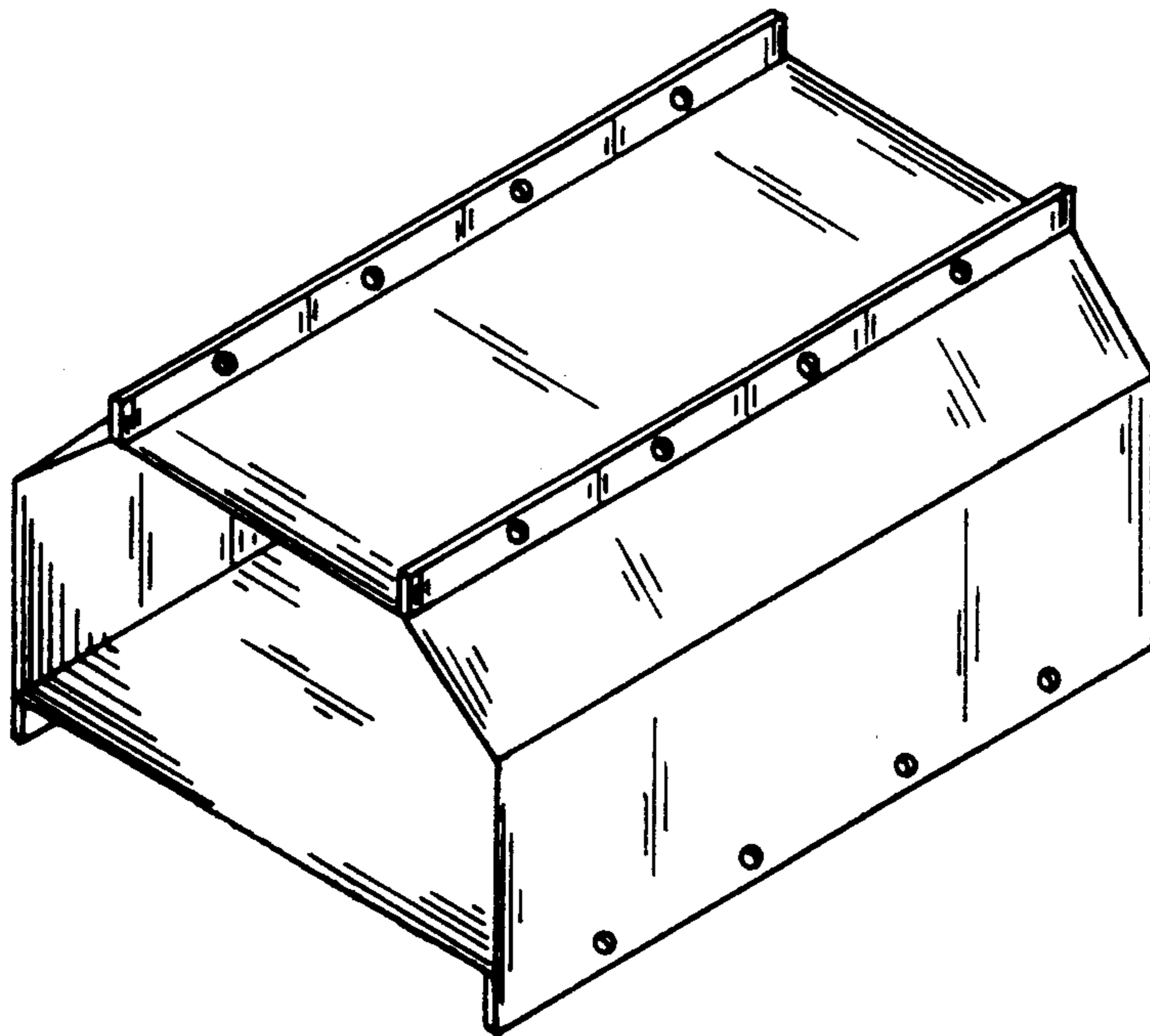
FIG. 1 is a perspective view of a combined newspaper delivery box and mailbox support showing my new design.

FIG. 2 is a top plan view thereof.

FIG. 3 is a front elevational view thereof.

FIG. 4 is a side elevational view thereof.

The side opposite to that shown in FIG. 4 of the drawings is a mirror image thereof, and the rear and bottom of the delivery box are substantially flat and unornamented except for the two longitudinal ribs on the bottom thereof.



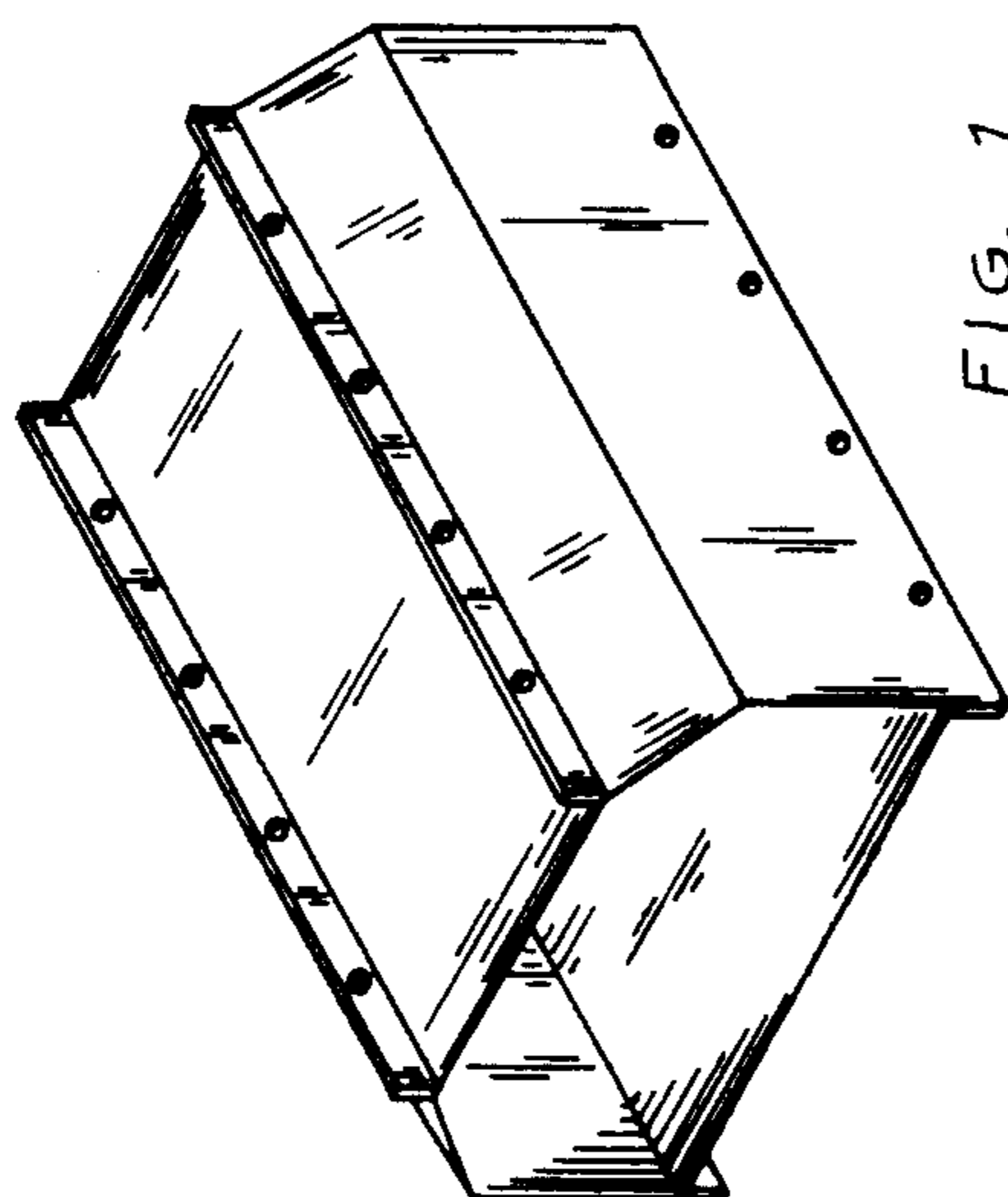


FIG. 1

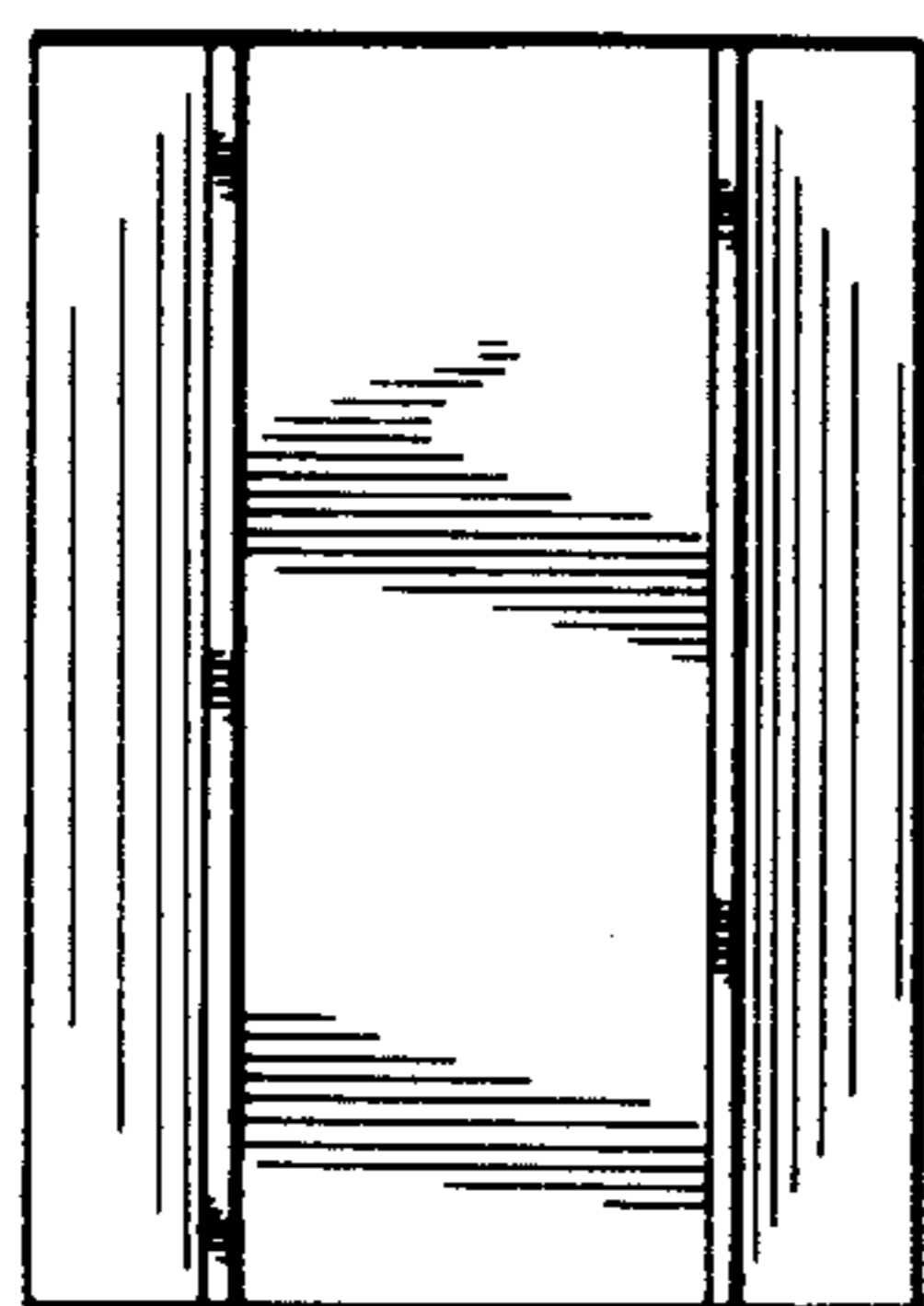


FIG. 2

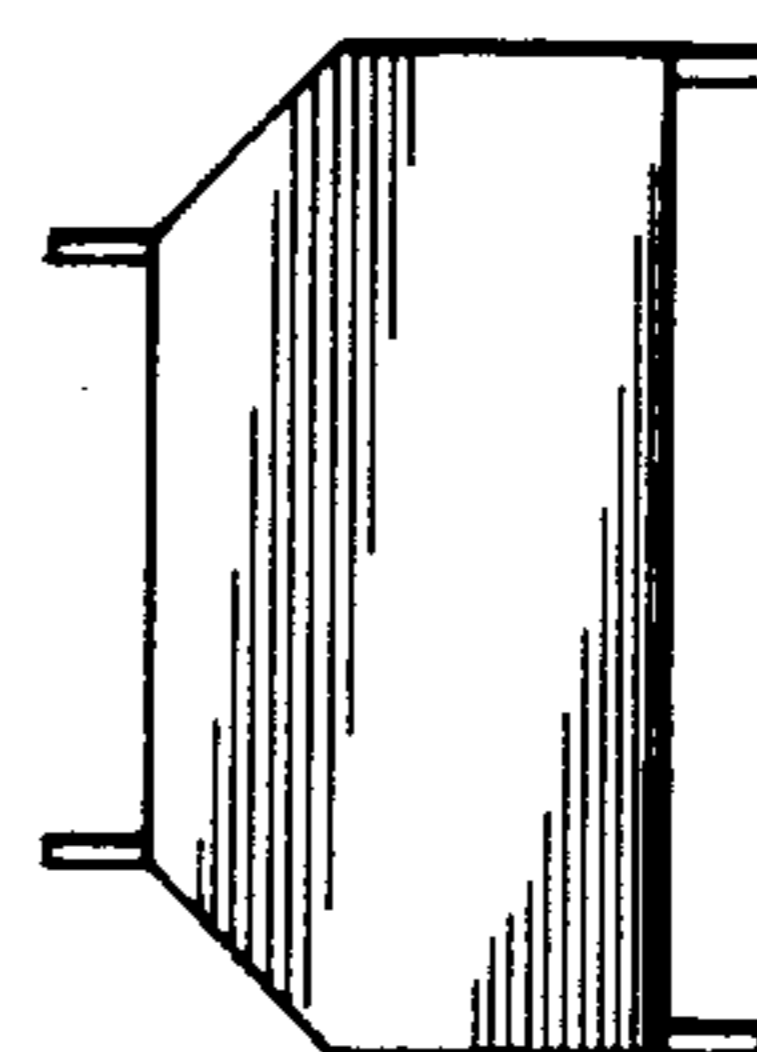


FIG. 3

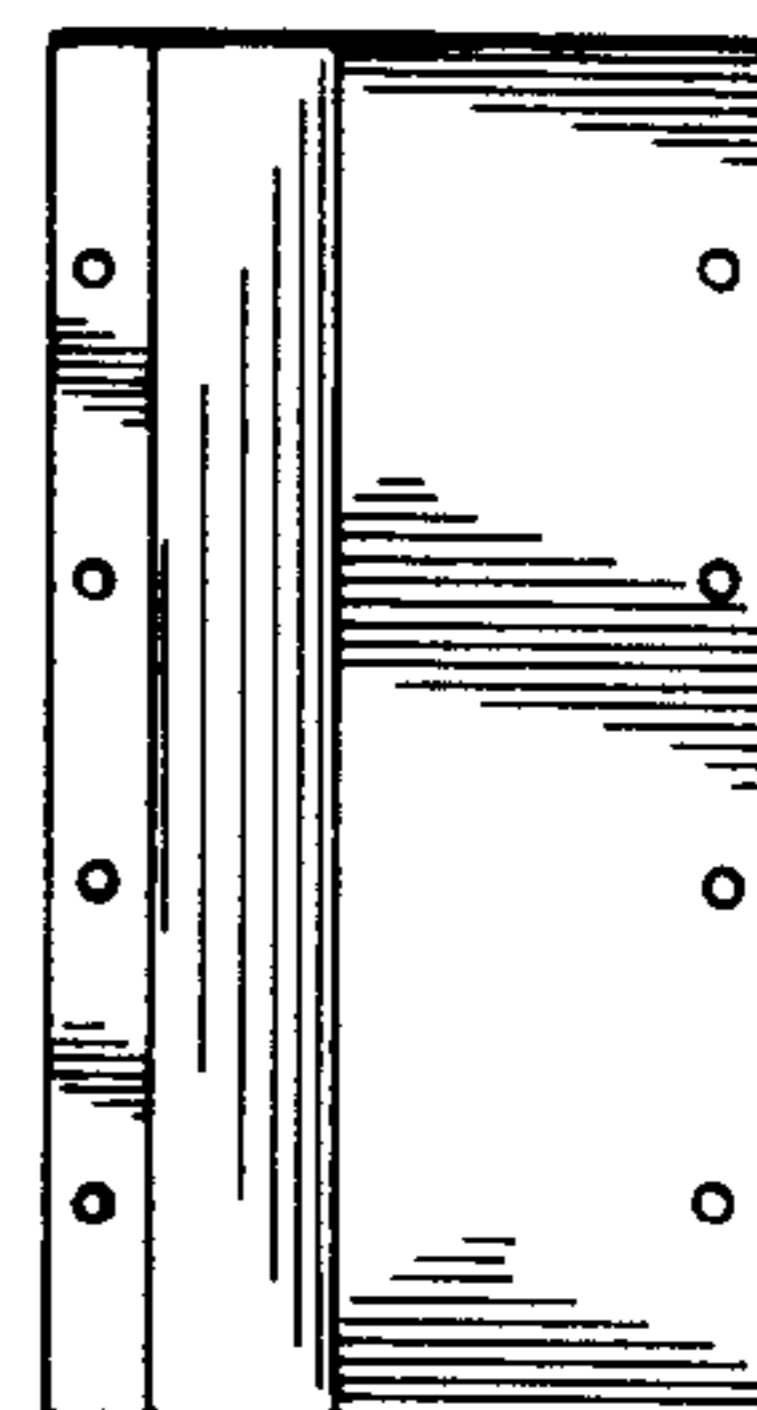


FIG. 4