

[54] RESPIRATORY EXERCISER AND THE LIKE

[76] Inventor: William H. Thead, Jr., 2259 Marann Dr., NE., Atlanta, Ga. 30345

[\*\*] Term: 14 Years

[21] Appl. No.: 830,368

[22] Filed: Sep. 2, 1977

[51] Int. Cl. .... D24-02

[52] U.S. Cl. .... D24/17; 272/99

[58] Field of Search ..... D24/17; 128/2.08, 2 C, 128/2.05 R, 145.8; 272/99

[56] References Cited

U.S. PATENT DOCUMENTS

D. 242,956	1/1977	Miller et al. ....	D24/17
3,635,214	1/1972	Rand et al. ....	272/99
3,695,608	10/1972	Hanson ....	272/99
3,811,671	5/1974	Turnbull ....	272/99
4,025,070	5/1977	McGill et al. ....	128/2.08
4,086,918	5/1978	Russo ....	272/99

Primary Examiner—Bernard Ansher  
Attorney, Agent, or Firm—Martin Fleit

[57] CLAIM

The ornamental design for a respiratory exerciser and the like, substantially as shown.

DESCRIPTION

FIG. 1 is a perspective view of a respiratory exerciser showing my design;  
 FIG. 2 is an elevation of the left side of the respiratory exerciser illustrated in FIG. 1;  
 FIG. 3 is a front elevation of the respiratory exerciser illustrated in FIG. 1;  
 FIG. 4 is an elevation of the right side of the respiratory exerciser illustrated in FIG. 1;  
 FIG. 5 is a rear elevation of the respiratory exerciser illustrated in FIG. 1;  
 FIG. 6 is a top plan view of the respiratory exerciser illustrated in FIG. 1; and  
 FIG. 7 is a plan view of the bottom of the respiratory exerciser illustrated in FIG. 1.

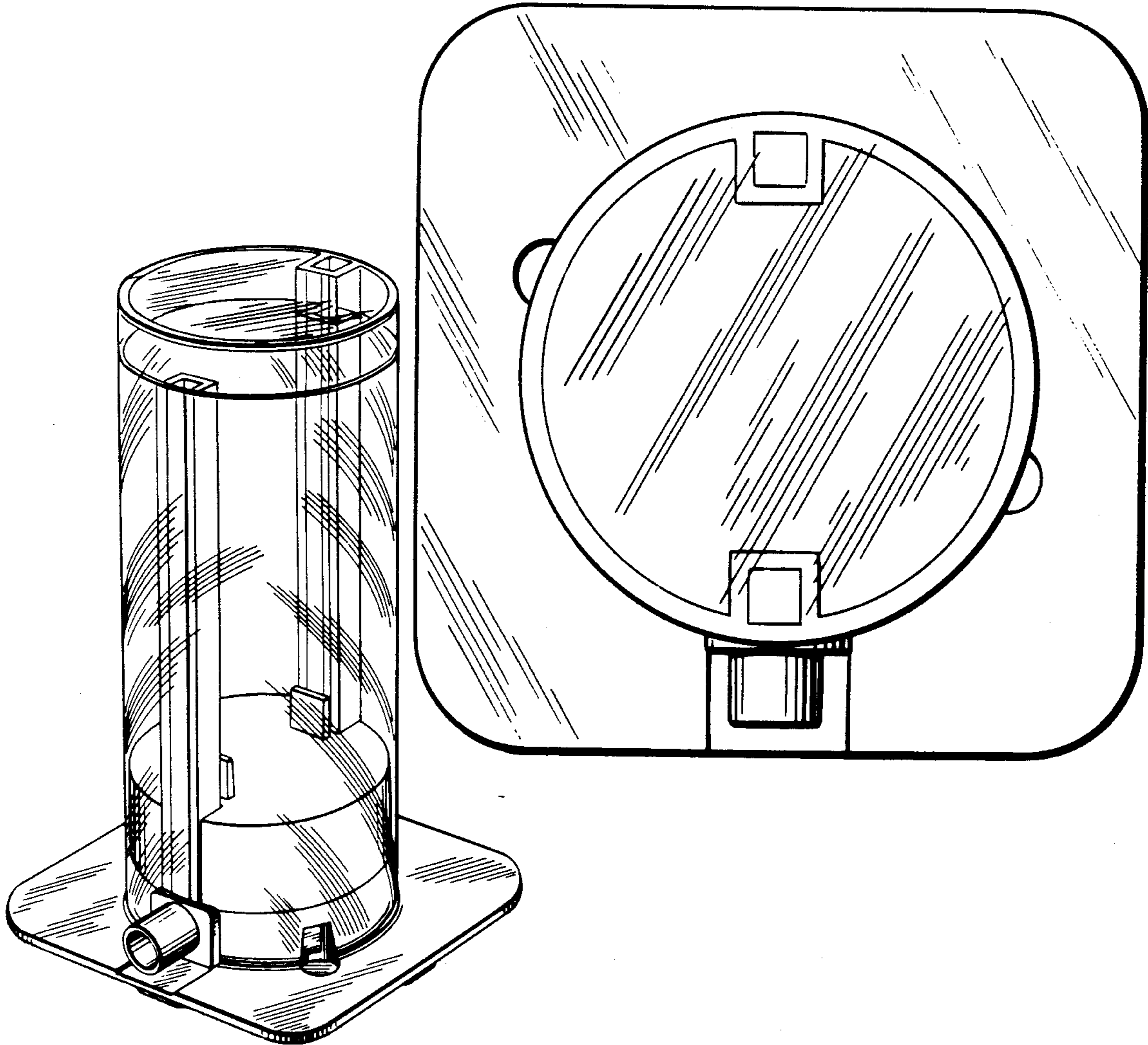
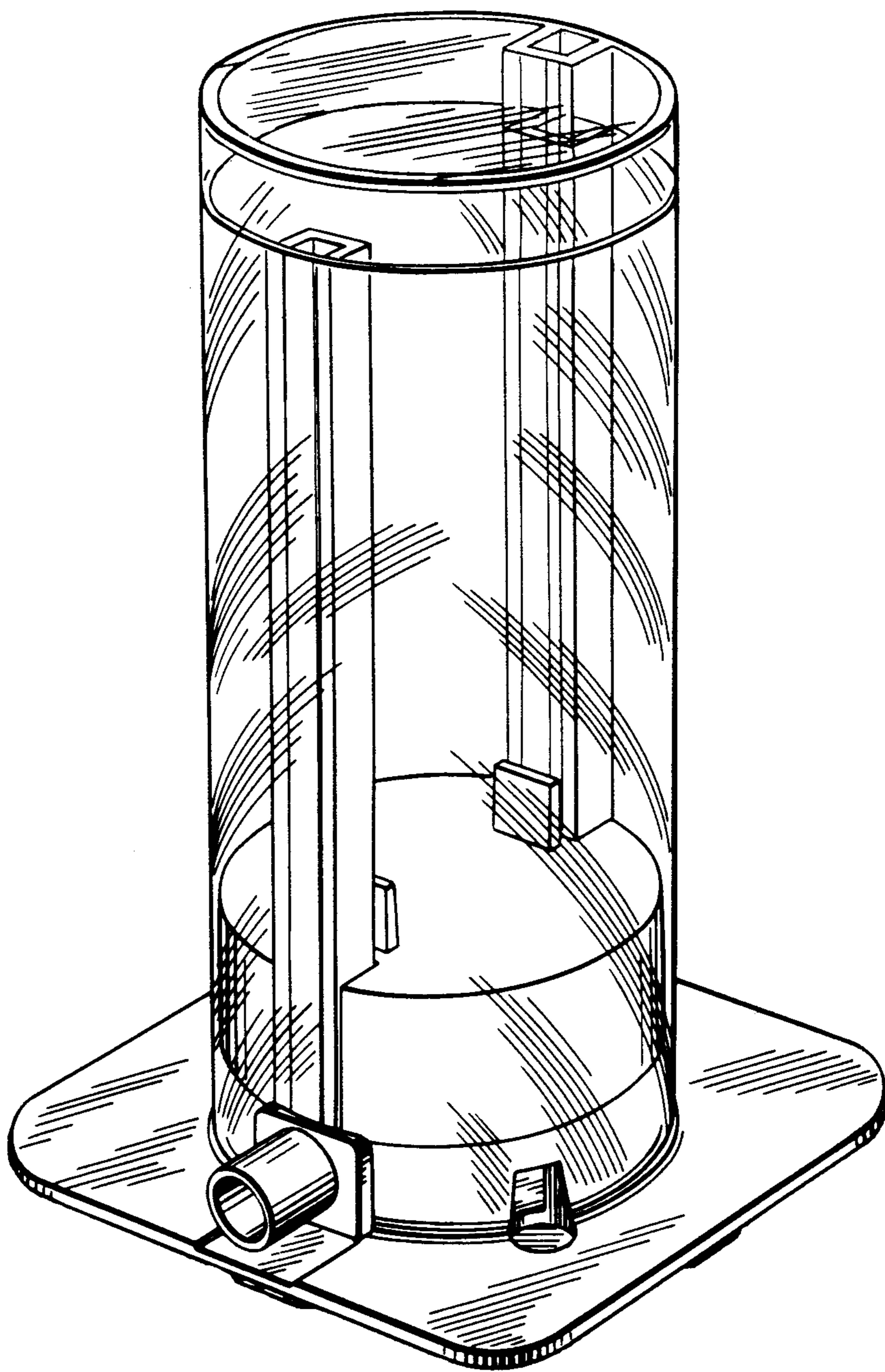


FIG. 1



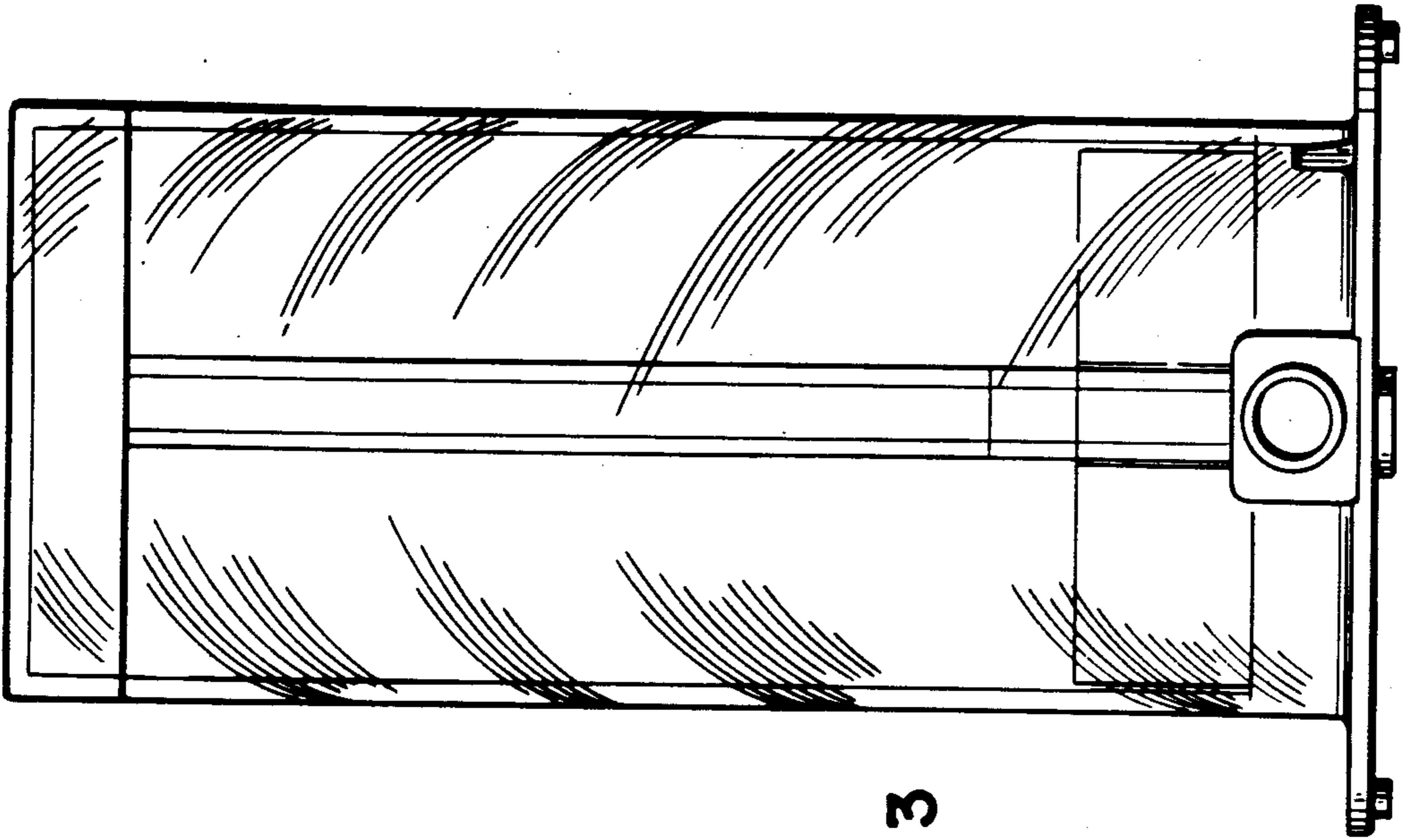


FIG. 3

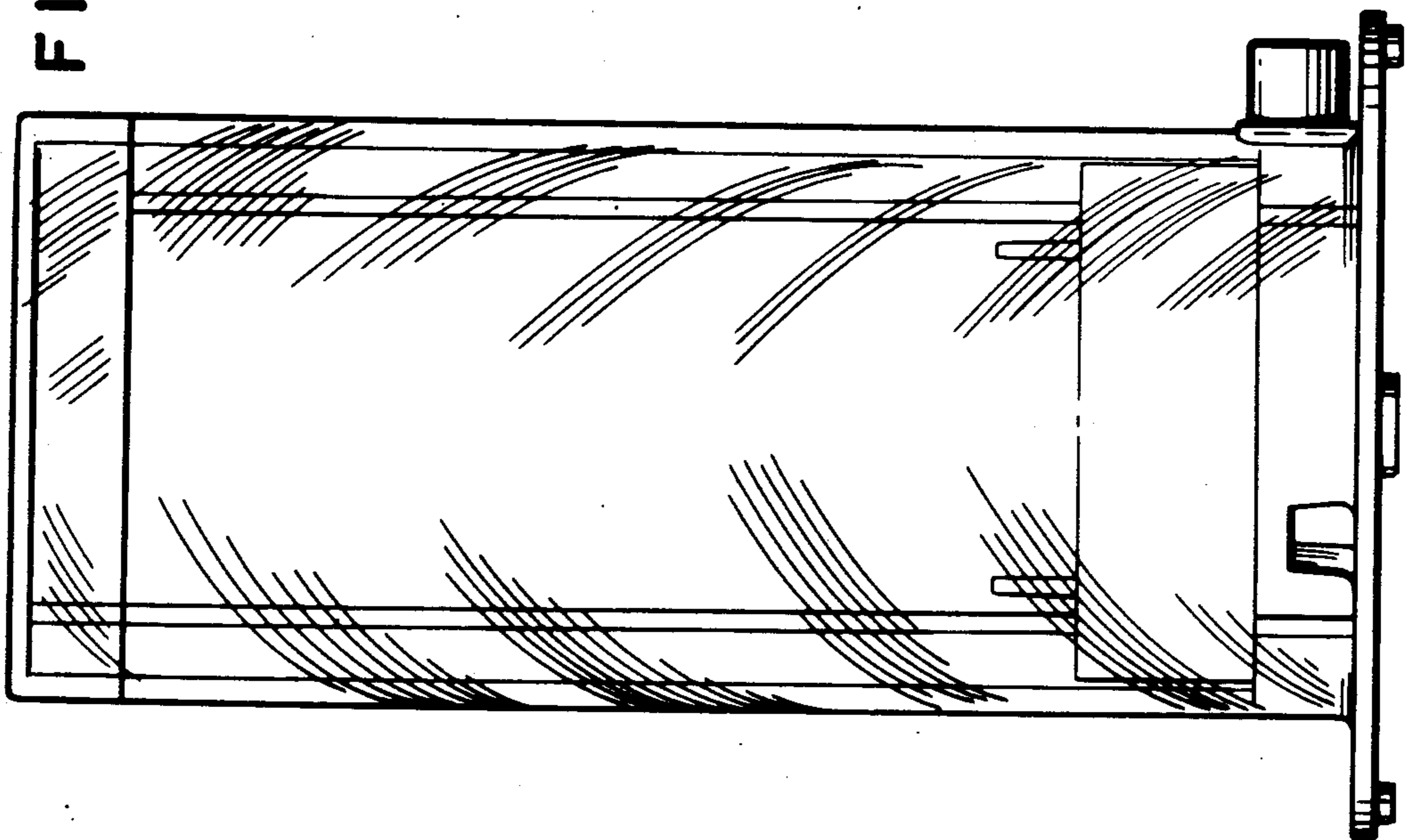


FIG. 2

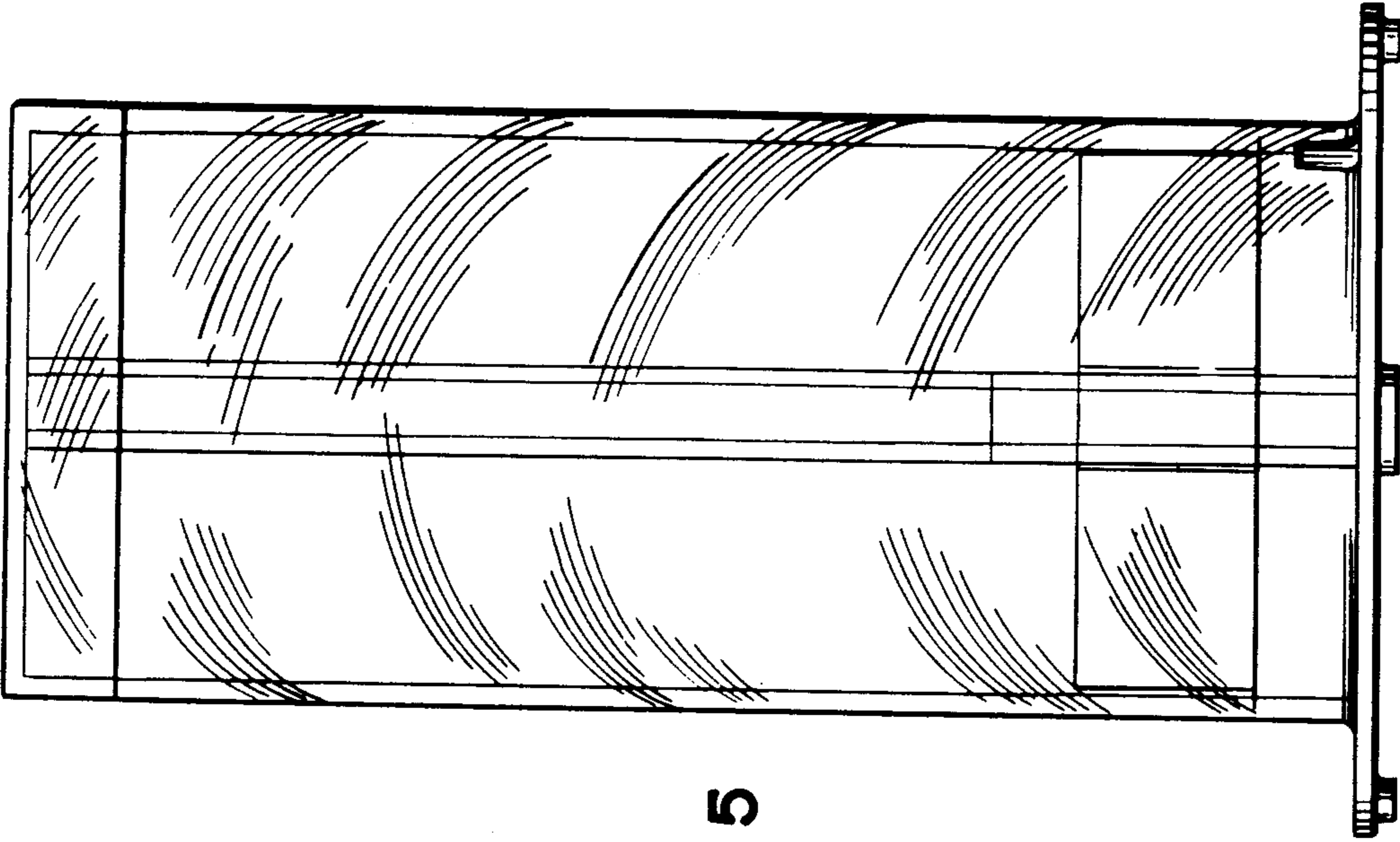


FIG. 5

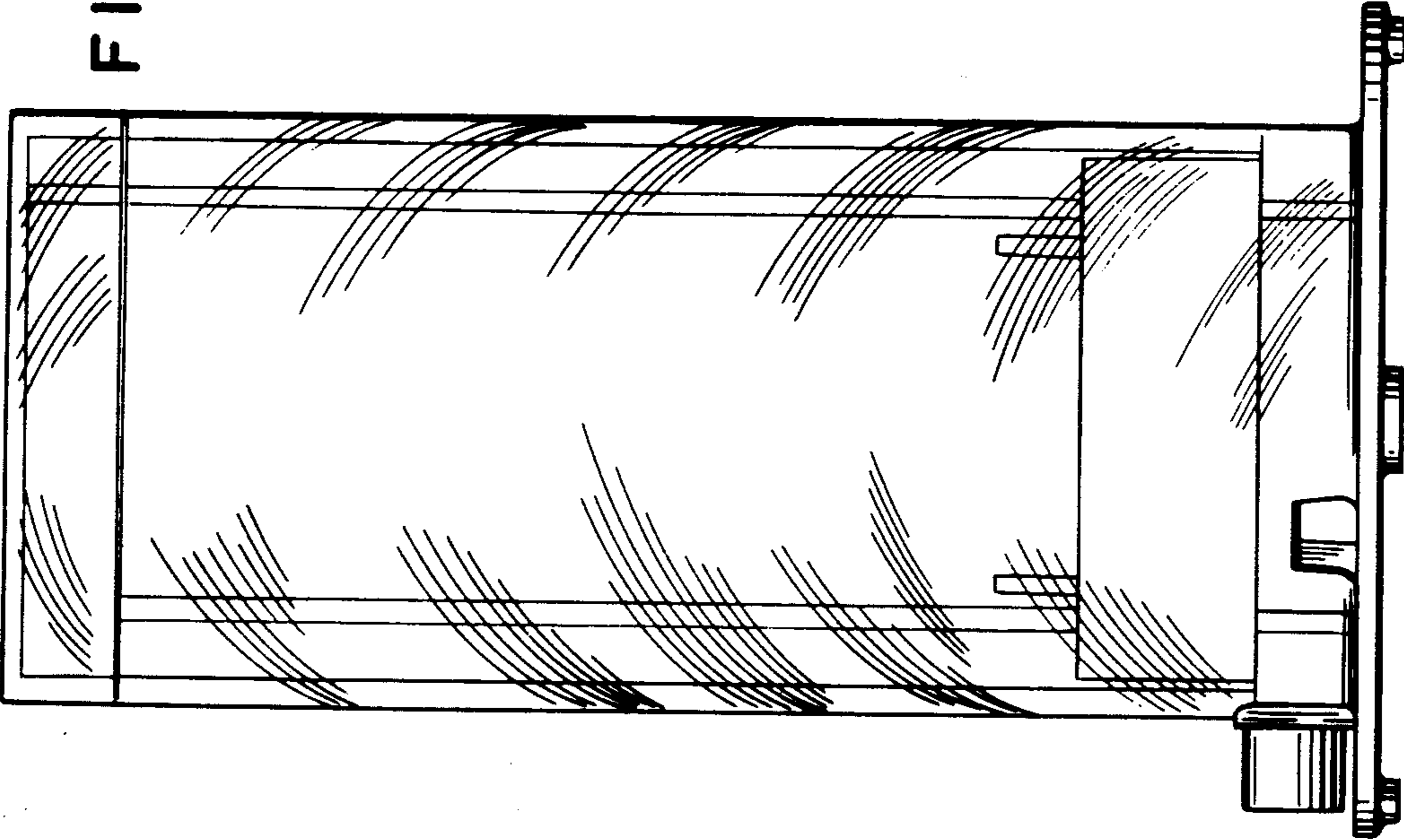


FIG. 4

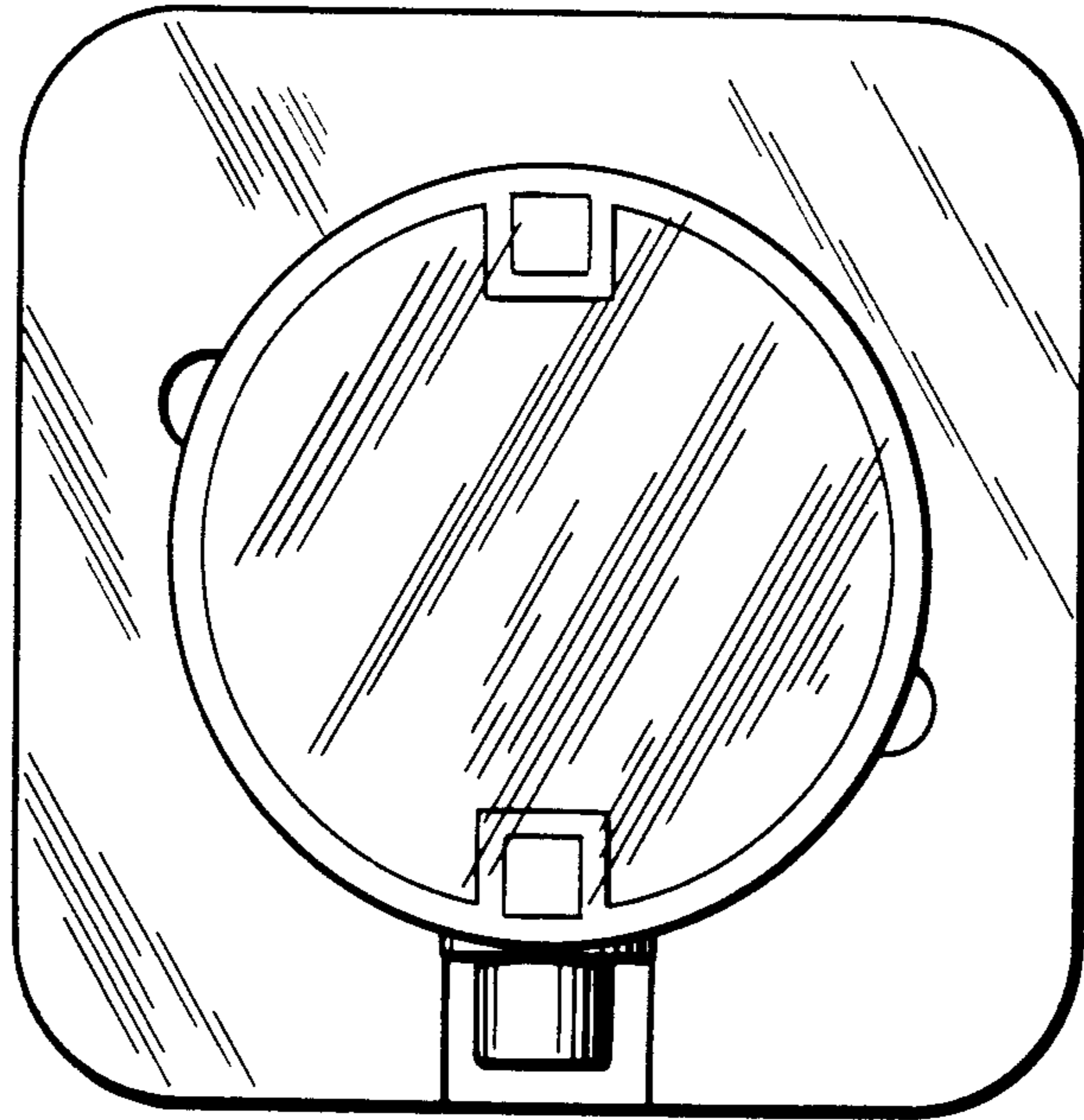


FIG. 6

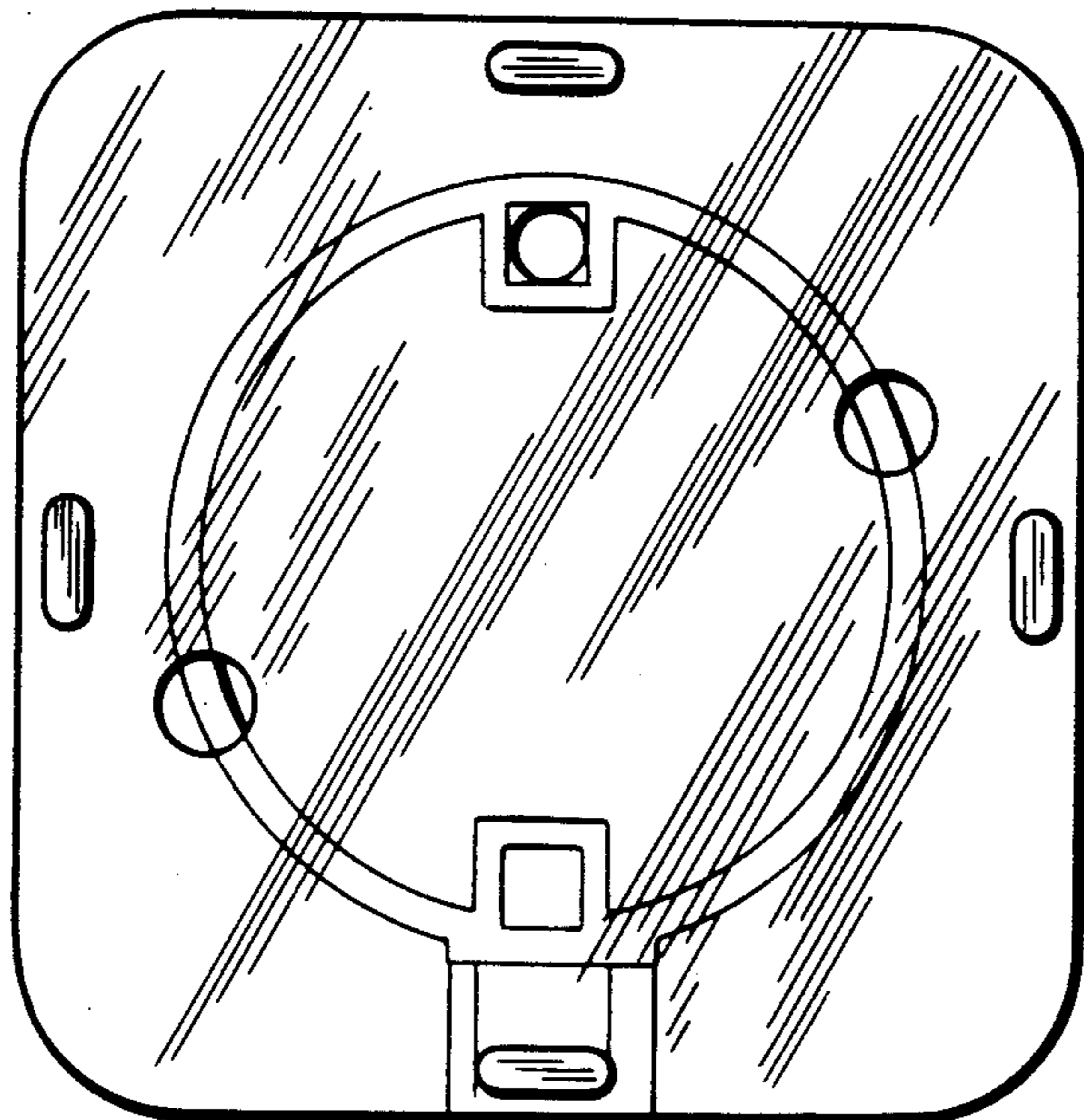


FIG. 7