

[54] **VOLUME-CONTROL VALVE**
 [76] Inventor: **Jerome Koenig**, 3 Kadesh Barnea, Tel Aviv, Israel
 [**] Term: **14 Years**
 [21] Appl. No.: **820,327**
 [22] Filed: **Jul. 29, 1977**
 [51] Int. Cl. **D23-01**
 [52] U.S. Cl. **D23/19**
 [58] Field of Search **D23/19-22, D23/34, 35; 251/148, 149, 312**

D. 183,042 6/1958 Fuglie D23/38
 3,157,382 11/1964 Perry 251/312
 3,709,256 1/1973 Gore et al. 251/312
 3,768,777 10/1973 Heehler 251/319
 3,918,680 11/1975 Stevens, Jr. 251/312

Primary Examiner—James R. Largen
Attorney, Agent, or Firm—Benjamin J. Barish

[57] **CLAIM**

The ornamental design of a volume-control valve, as shown.

DESCRIPTION

FIG. 1 is a top plan view of the volume-control valve showing my design;
 FIG. 2 is a side elevational view thereof; and
 FIG. 3 is a bottom plan view thereof.

[56] **References Cited**
U.S. PATENT DOCUMENTS
 D. 149,818 6/1948 Jaros D23/38

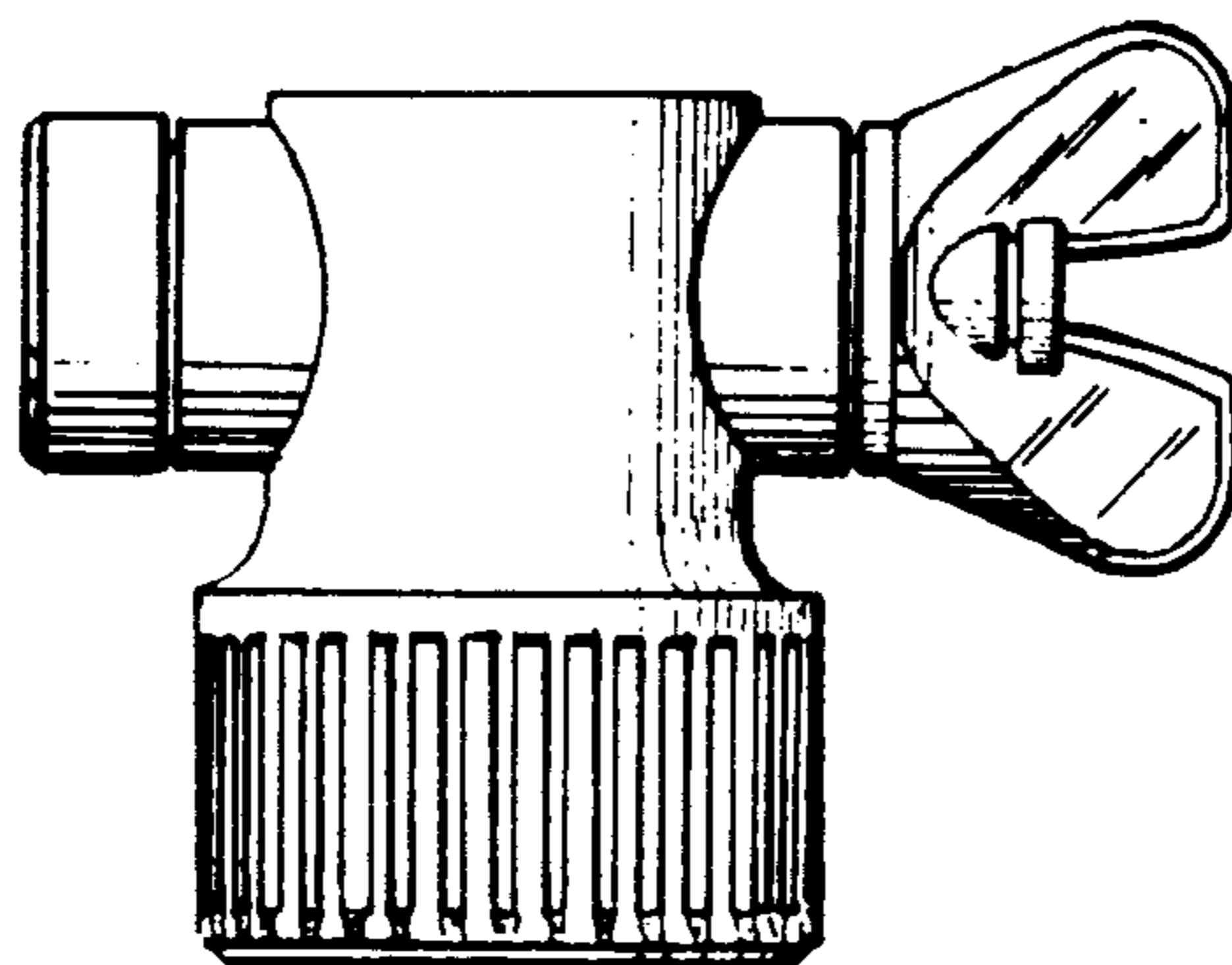
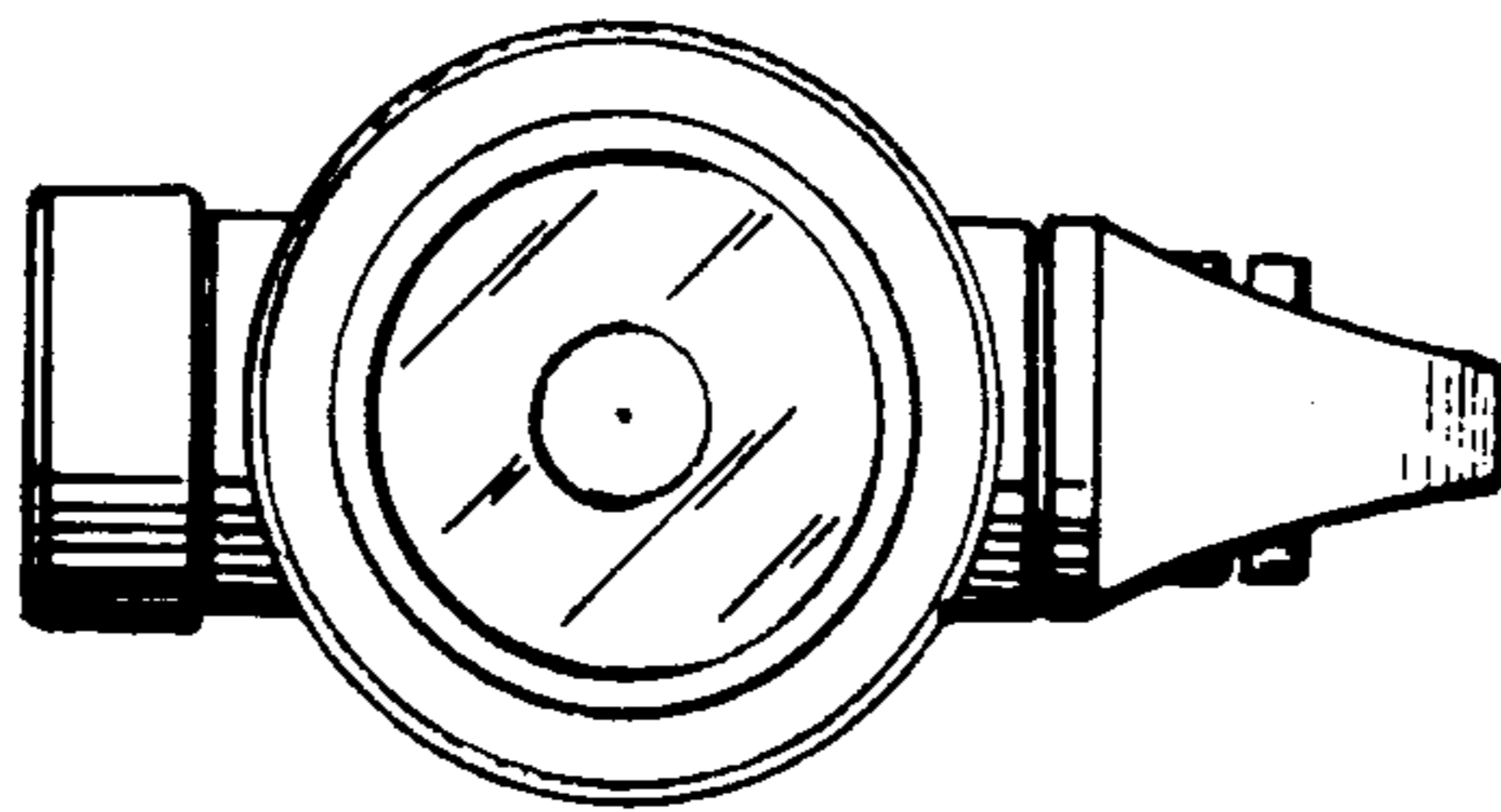


FIG. 1

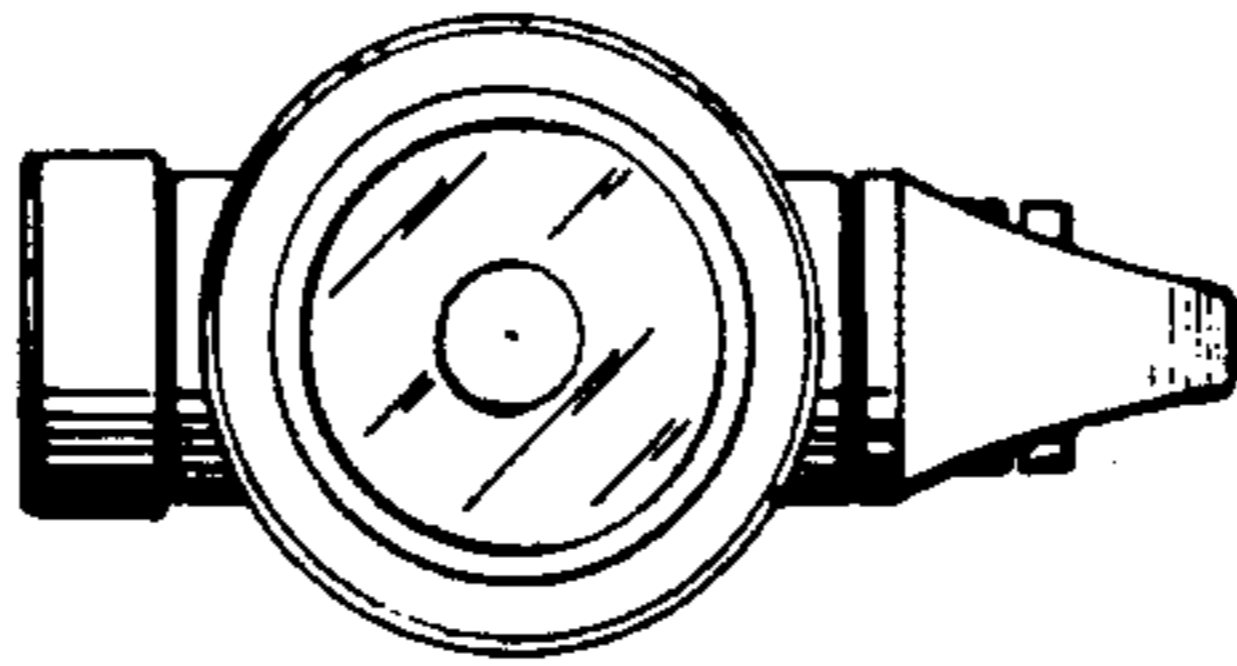


FIG. 2

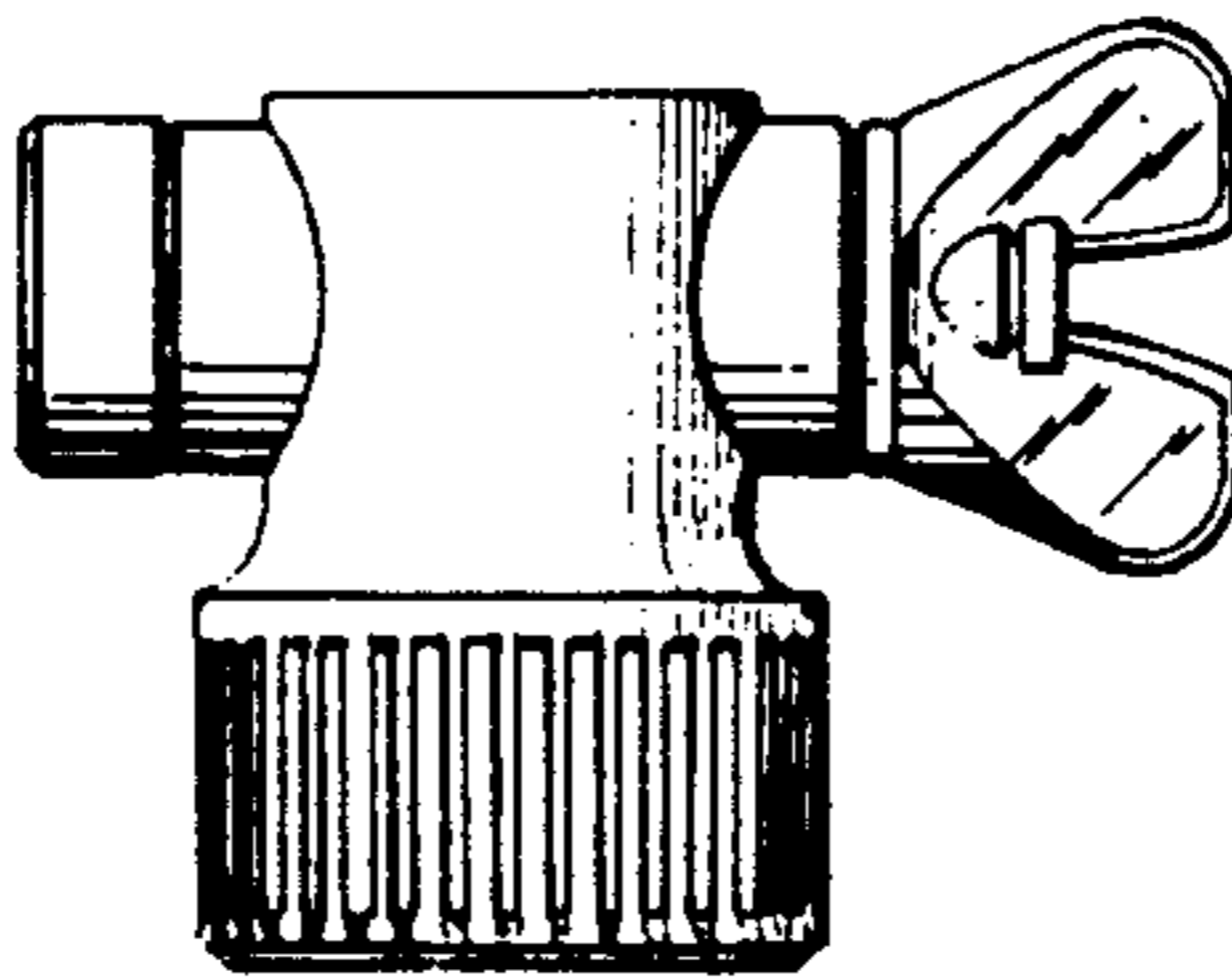


FIG. 3

