

[54] TOY TRUCK CAB

[75] Inventor: **Barry S. Herstein**, Spring Valley, N.Y.

[73] Assignee: **Buddy L Corporation**, New York, N.Y.

[\*\*] Term: **14 Years**

[21] Appl. No.: **838,925**

[22] Filed: **Oct. 3, 1977**

[51] Int. Cl. .... **D21-01**

[52] U.S. Cl. .... **D21/134; D21/128**

[58] Field of Search ..... **D34/15 AJ; 46/201, 202, 46/222, 223**

[56] **References Cited**

**U.S. PATENT DOCUMENTS**

D. 219,666	1/1971	Gilford .....	D34/15 AJ
D. 225,251	11/1972	Peterson .....	D34/15 AJ
D. 226,121	1/1973	Gilford .....	D34/15 AJ

*Primary Examiner*—Joel Stearman  
*Assistant Examiner*—Charles A. Rademaker  
*Attorney, Agent, or Firm*—Kalish & Gilster

[57] **CLAIM**

The ornamental design for a toy truck cab, as shown.

**DESCRIPTION**

FIG. 1 is a perspective view of a toy truck cab showing my new design.

FIG. 2 is a rear elevational view thereof.

FIG. 3 is a side elevational view thereof.

FIG. 4 is a front elevational view thereof.

FIG. 5 is a top plan view.

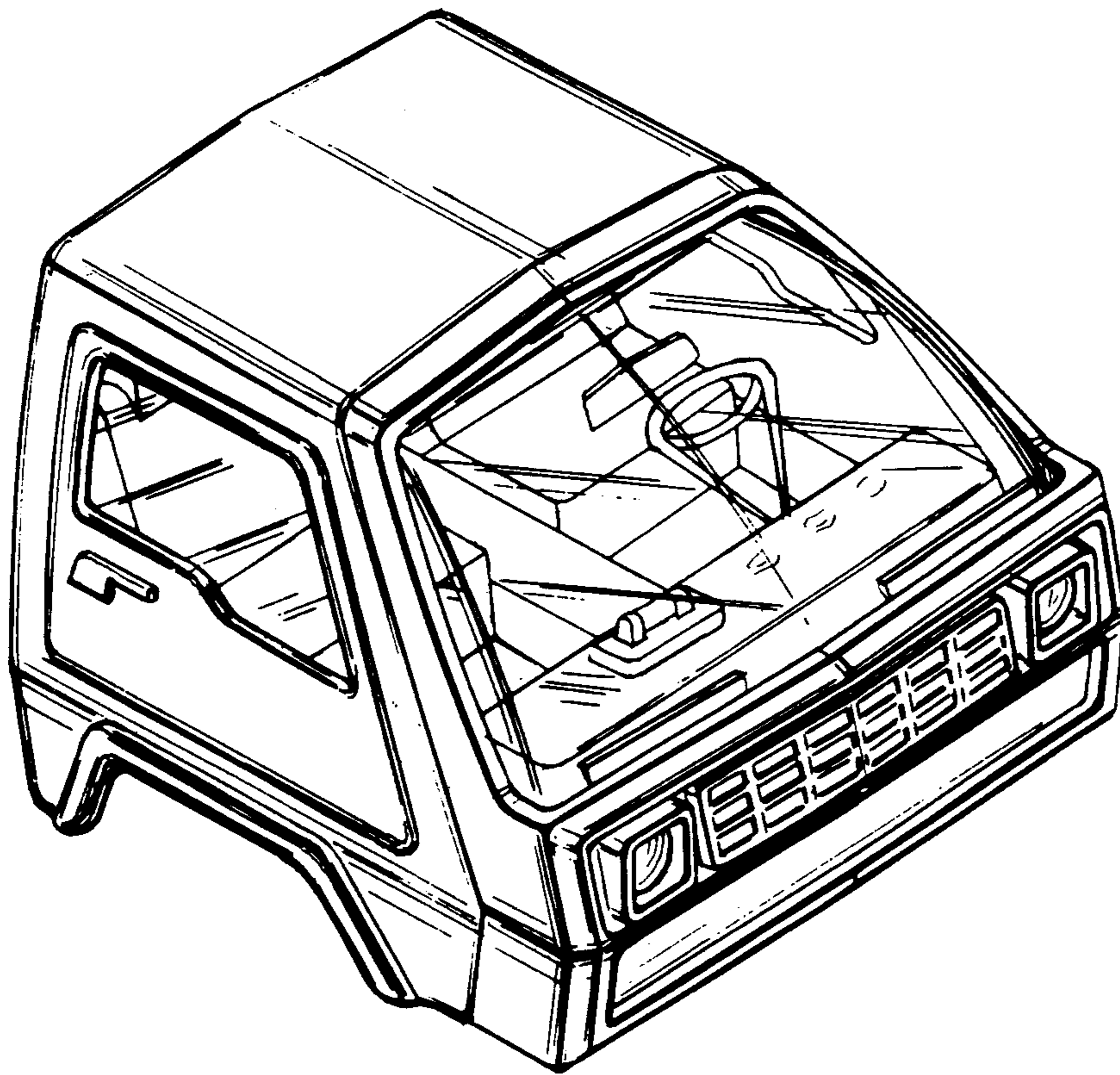


FIG. 5

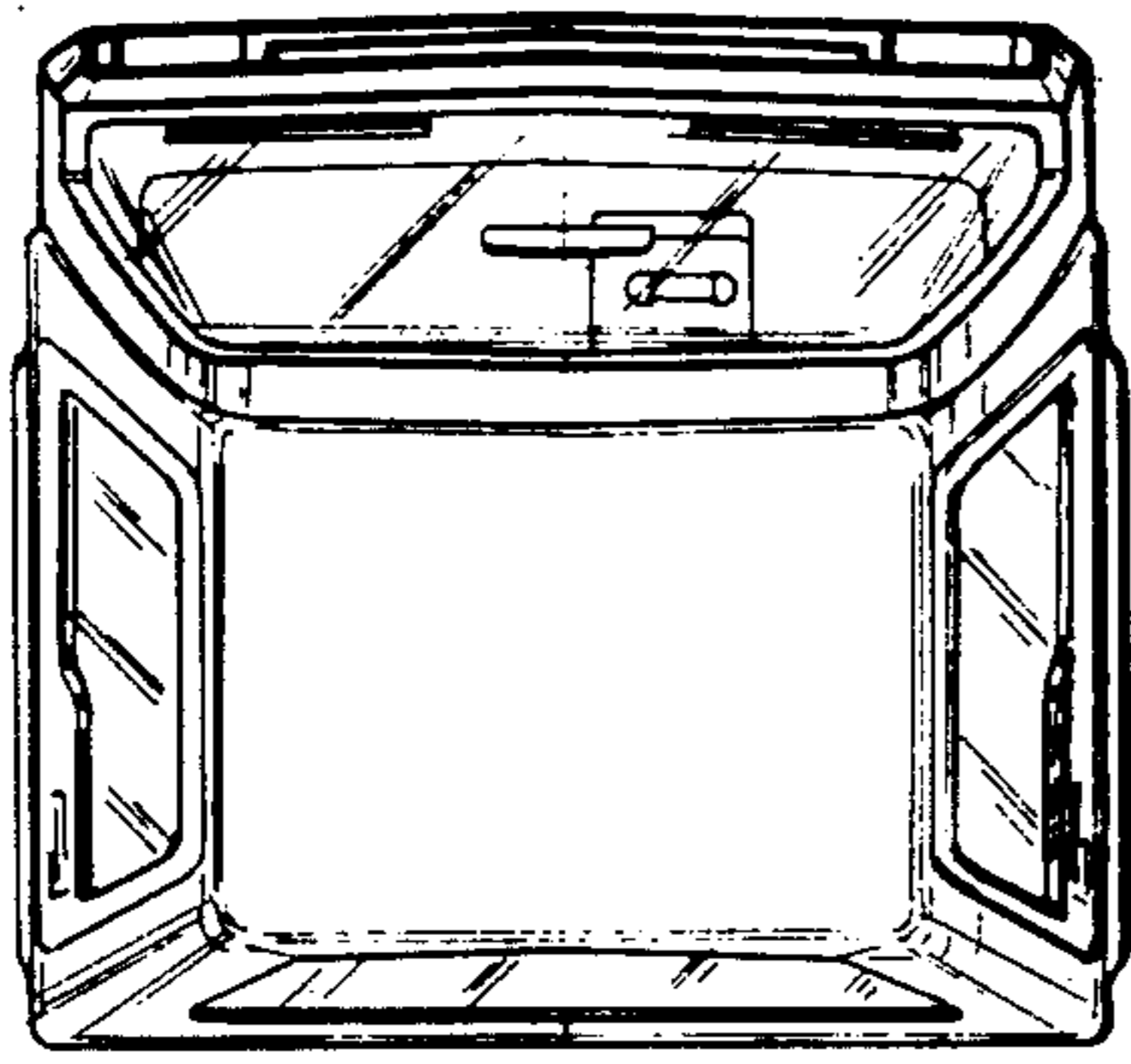


FIG. 1

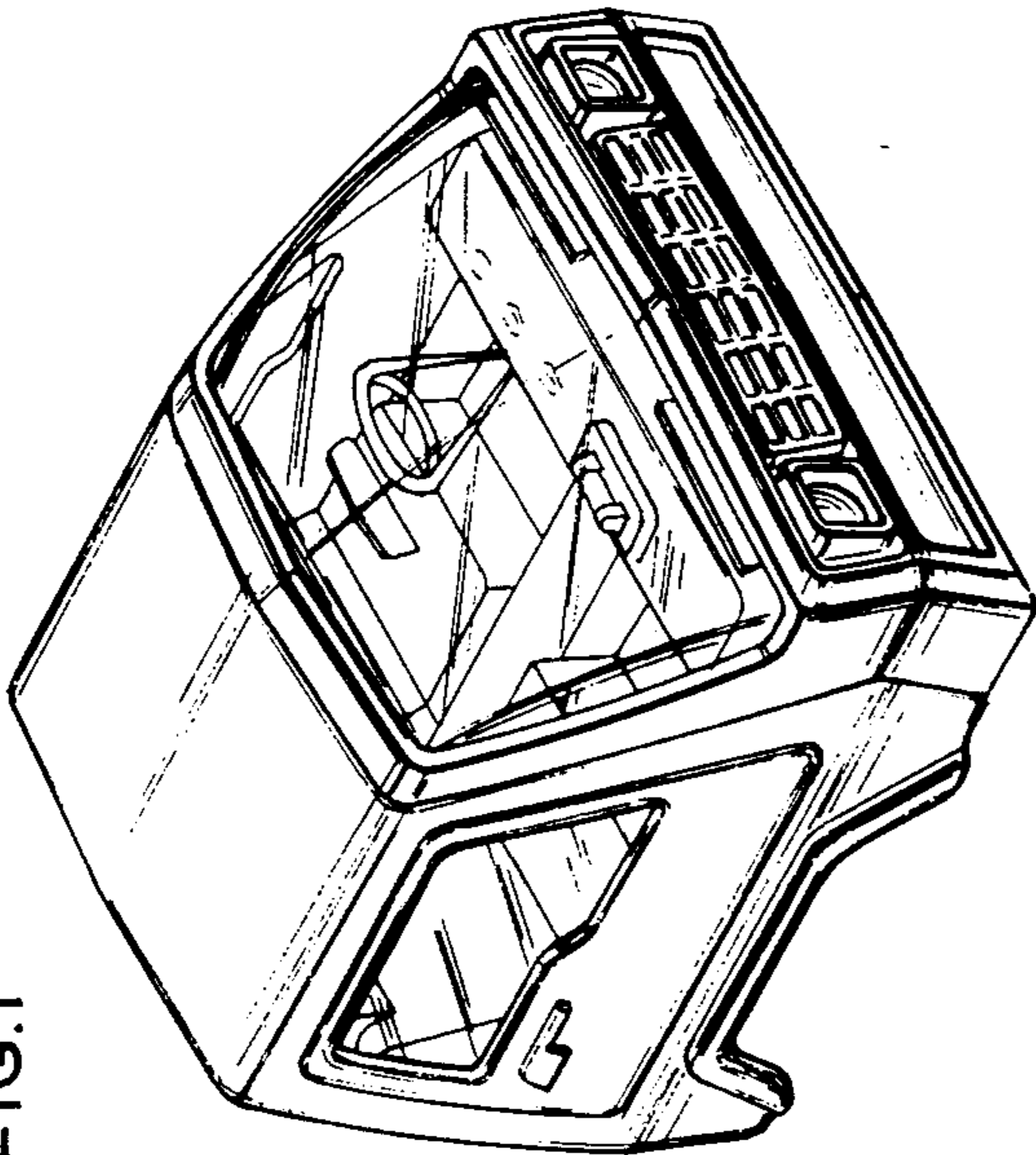


FIG. 4

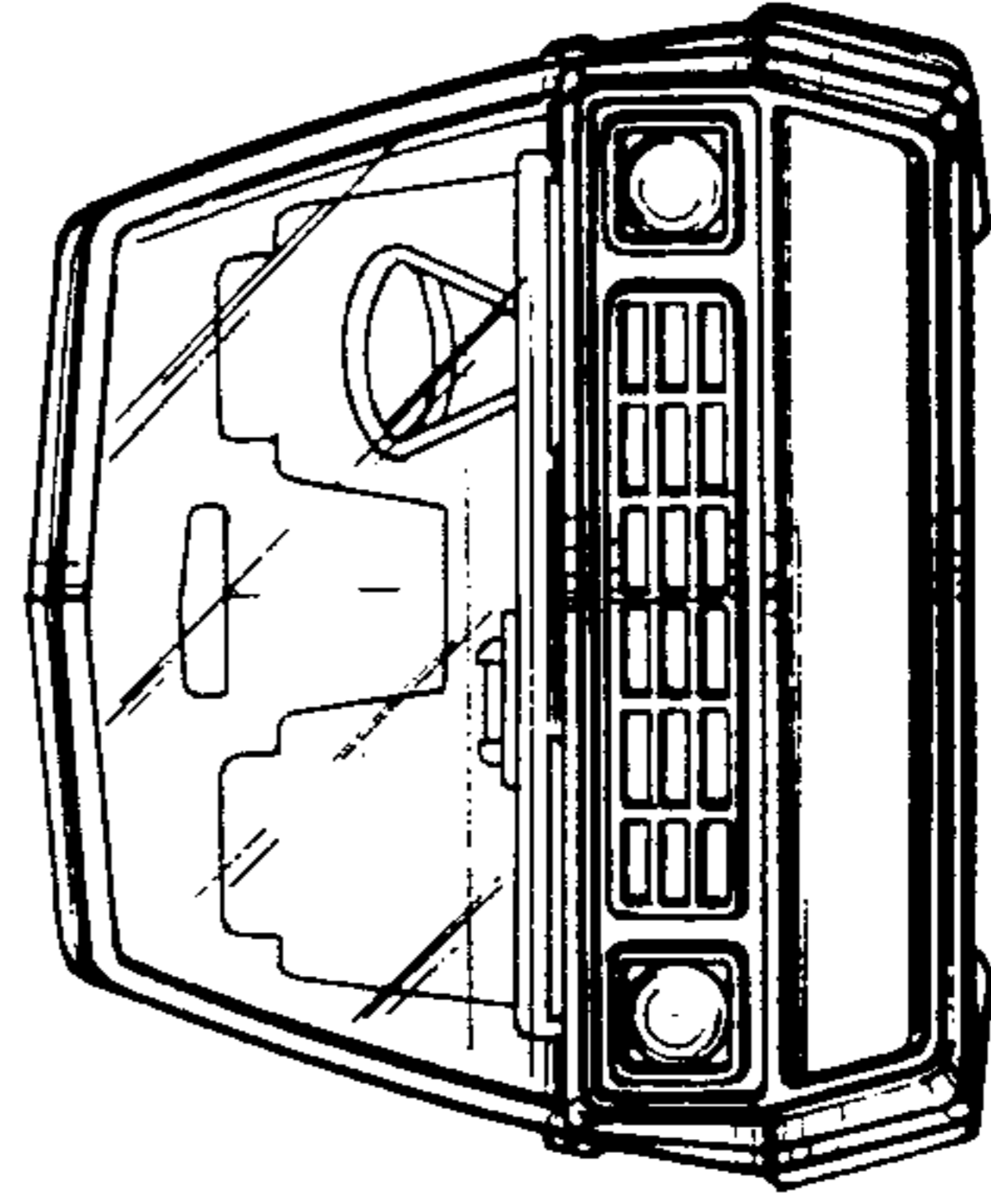


FIG. 3

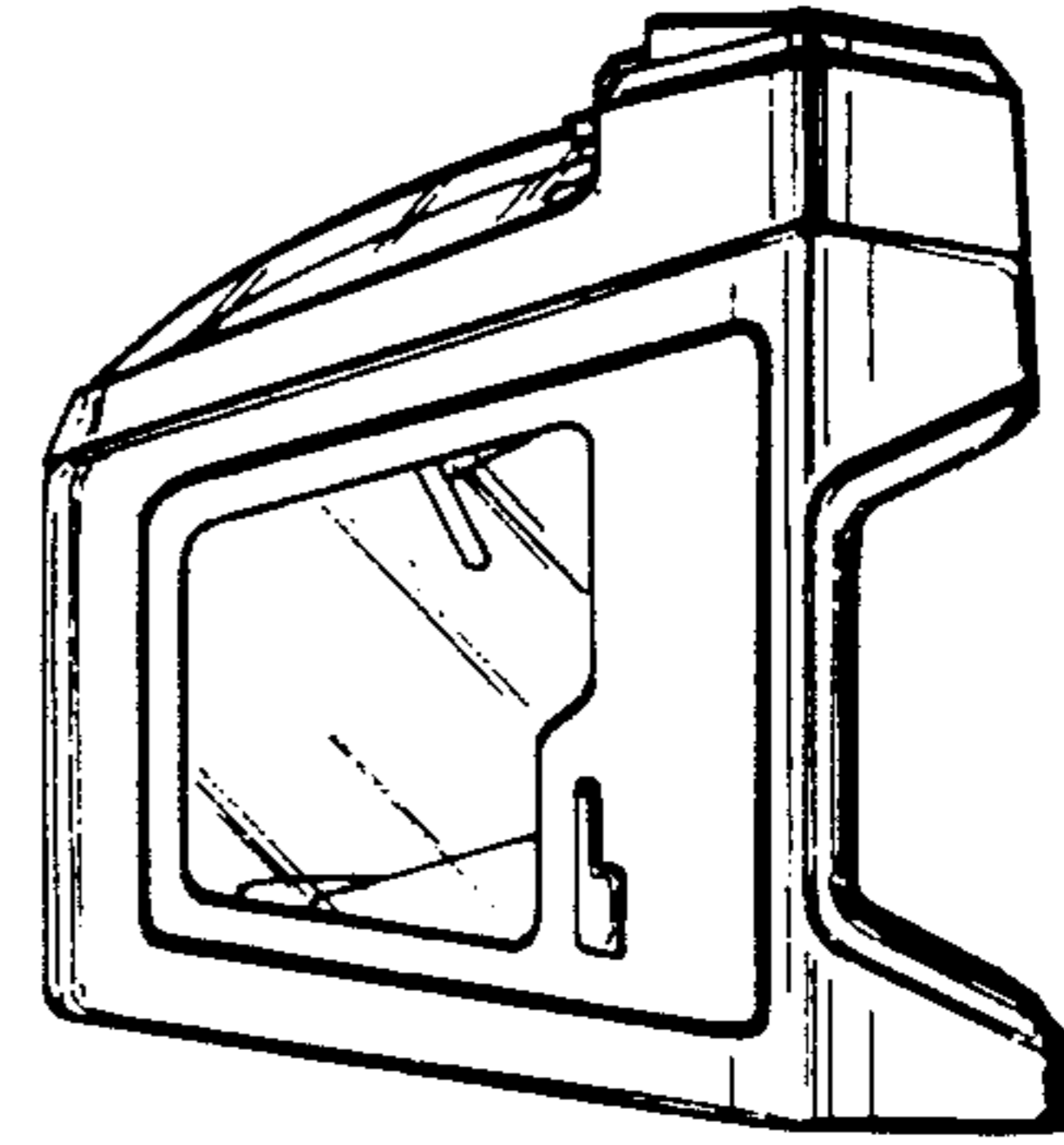


FIG. 2

