

[54] SIMULATIVE TOY TYPEWRITER

[75] Inventor: Masami Shiraishi, Tokyo, Japan
[73] Assignee: Tomy Kogyo Co., Inc., Tokyo, Japan
[**] Term: 14 Years
[21] Appl. No.: 860,486
[22] Filed: Dec. 14, 1977

[51] Int. Cl. D21-01
[52] U.S. Cl. D21/127; D18/1
[58] Field of Search D34/15 R, 15 S; 46/1 R,
46/14, 39; D18/1

[56] References Cited

U.S. PATENT DOCUMENTS

D. 133,266 8/1942 Berger D34/15 R
D. 231,565 4/1974 Sakow D18/1
D. 241,170 8/1976 Metzner D18/1

OTHER PUBLICATIONS

J. C. Penny Xmas Catalog, 1972, p. 339, Star-Lite Typewriter.
Sears Xmas Catalog, 1974, p. 495, item #2, Reporter Typewriter.

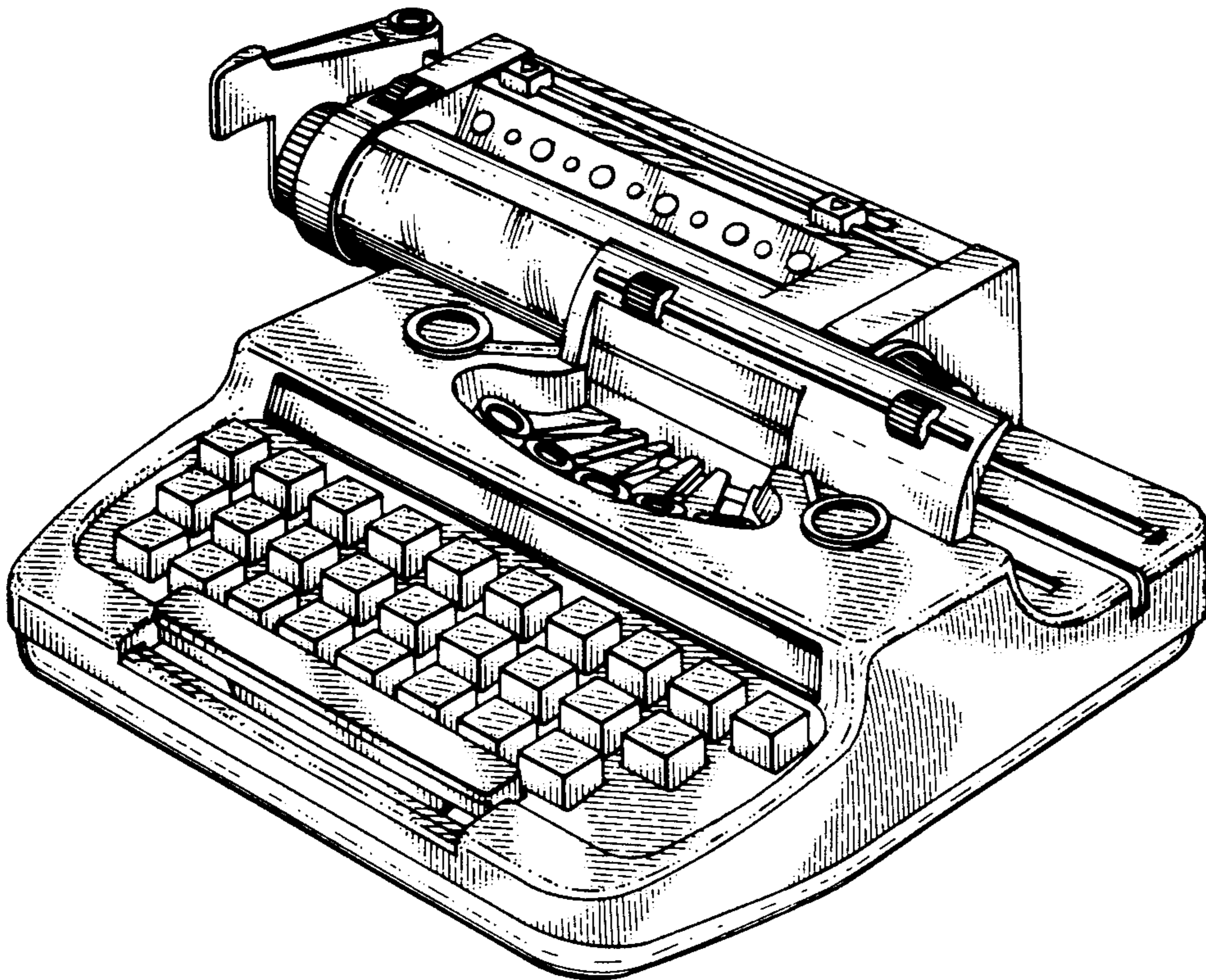
Primary Examiner—Winifred E. Herrmann
Assistant Examiner—Charles A. Rademaker
Attorney, Agent, or Firm—Edward D. O'Brian

[57] CLAIM

The ornamental design for a simulative toy typewriter, as shown and described.

DESCRIPTION

FIG. 1 is a perspective view of a simulative toy typewriter showing my new design;
FIG. 2 is a left side elevational view thereof;
FIG. 3 is a right side elevational view thereof; and
FIG. 4 is a rear elevational view thereof.
The bottom of the claimed design is substantially flat, plain and un-ornamented.



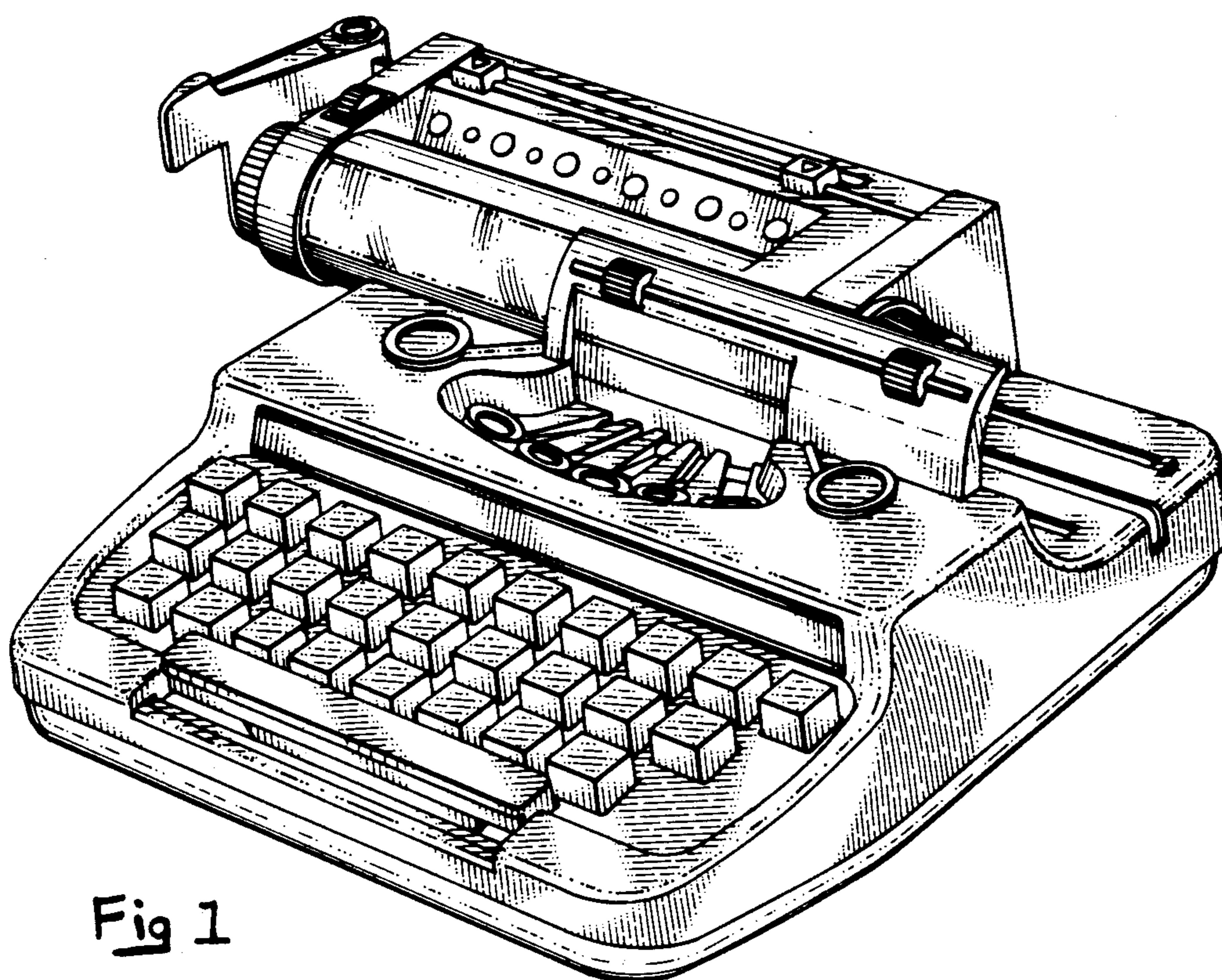


Fig 1

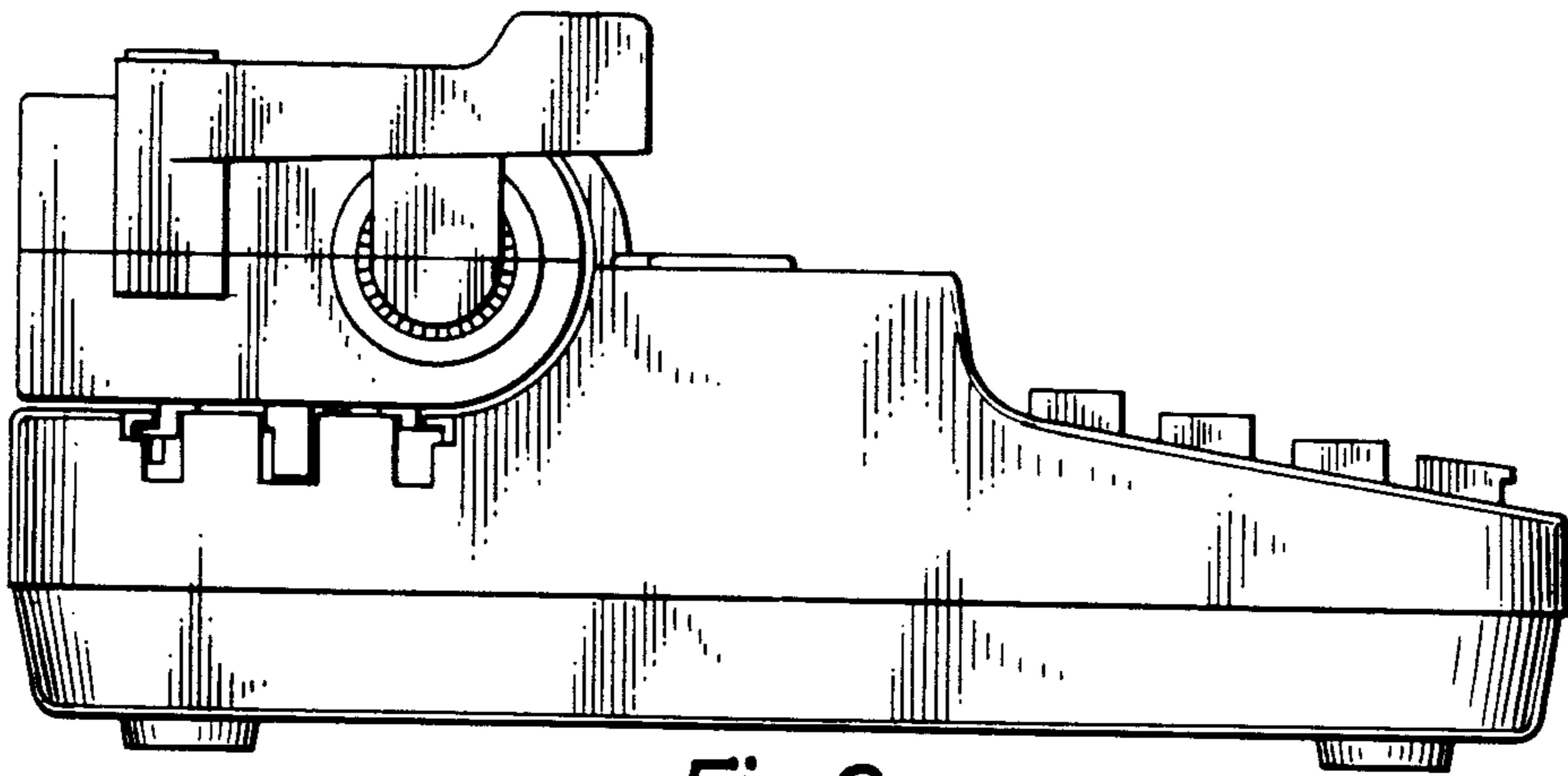


Fig. 2

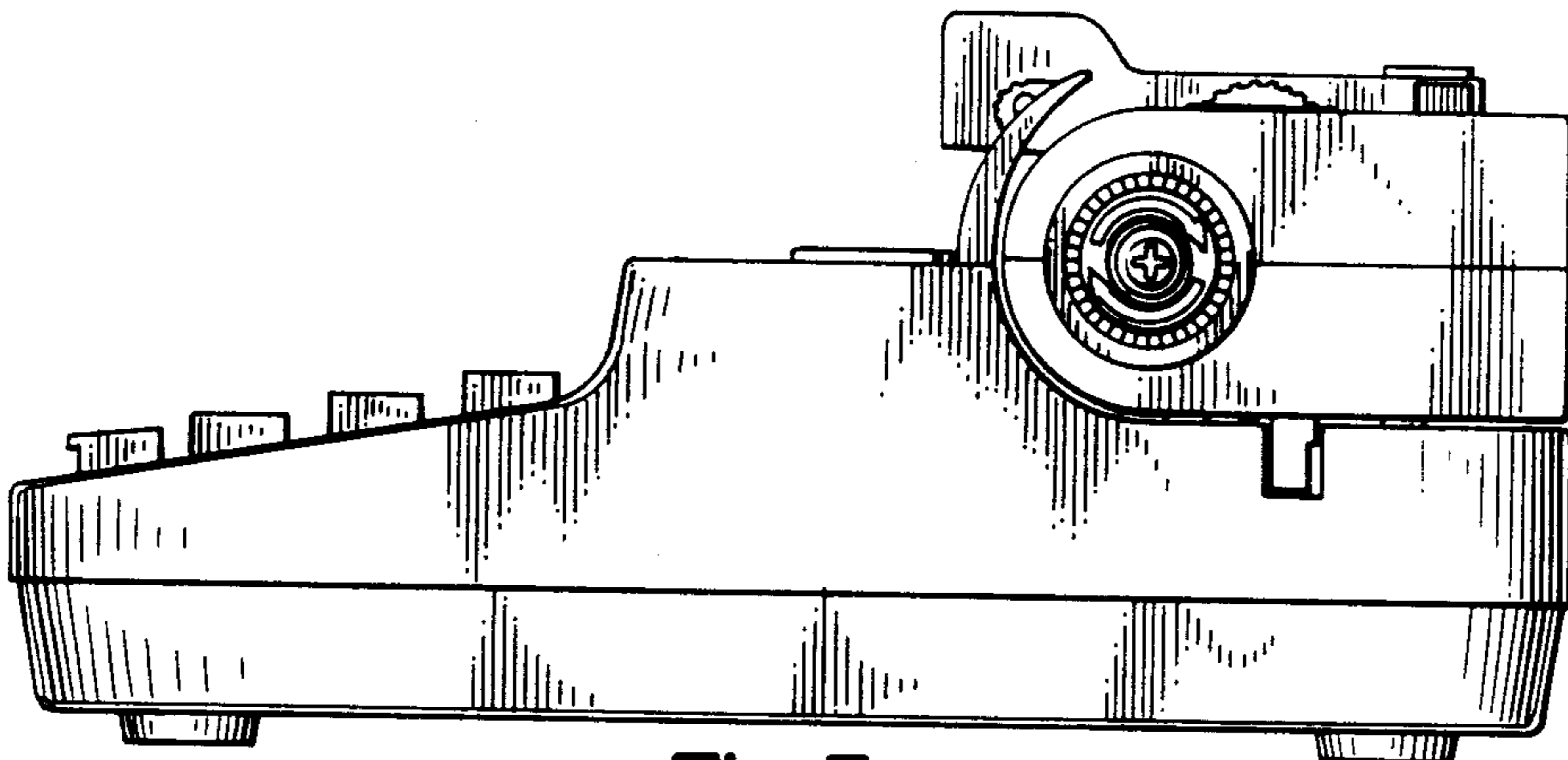


Fig. 3

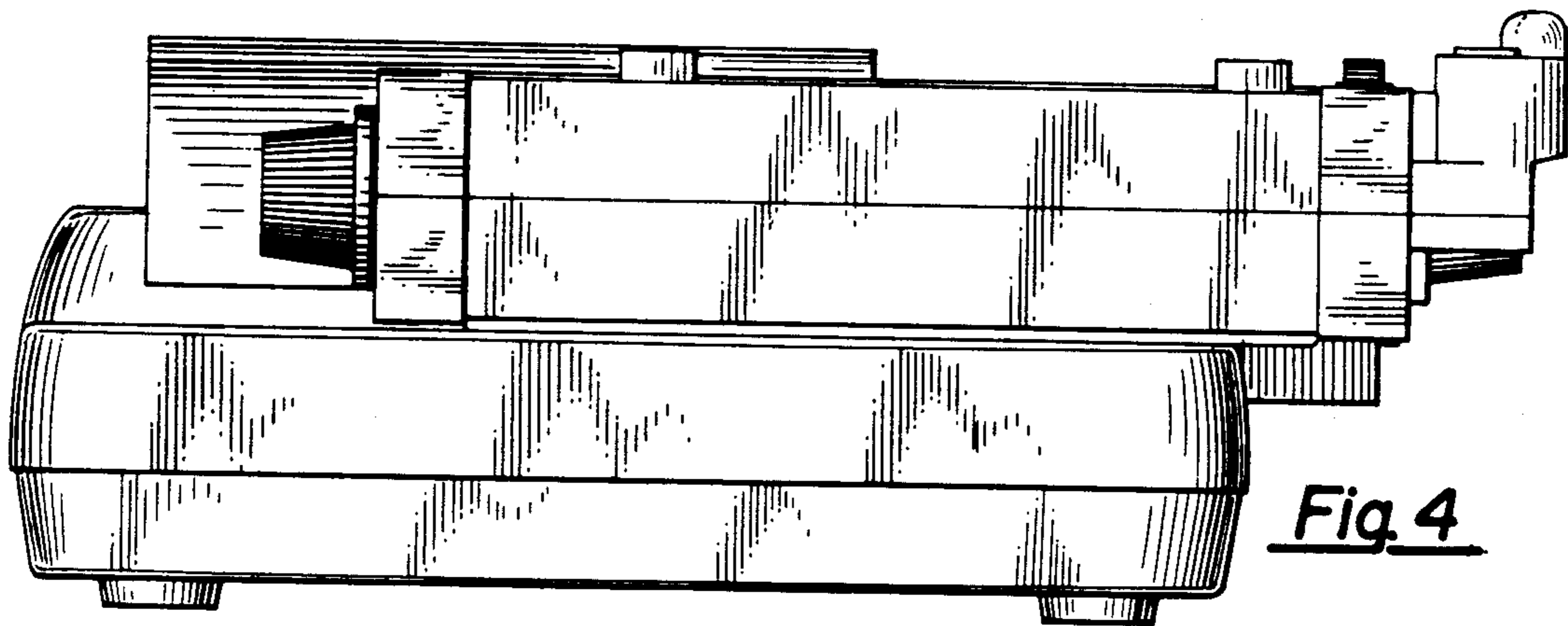


Fig. 4