

[54] TOY PARACHUTE FRAME

[75] Inventors: Sam Kupperman, Chicago; Dennis Kupperman, Glenview, both of Ill.

[73] Assignee: RB Toy Development Co., Skokie, Ill.

[**] Term: 14 Years

[21] Appl. No.: 801,629

[22] Filed: May 31, 1977

[51] Int. Cl. D21-01

[52] U.S. Cl. D21/91

[58] Field of Search D34/15 R, 15 PP; 46/79, 46/80, 81, 86 R, 86 C, 86 A; D29/6.99; D71/242; 244/155 R; D22/25; D21/91

[56] References Cited

U.S. PATENT DOCUMENTS

2,509,182	5/1950	Annable	46/86 R
2,587,699	3/1952	Cotter	46/80
3,332,645	7/1967	Hansen	46/86 R
3,432,962	3/1969	Boese	46/86 R

Primary Examiner—Joel Stearman
Assistant Examiner—Charles A. Rademaker

[57] CLAIM

The ornamental design for a toy parachute frame, as shown.

DESCRIPTION

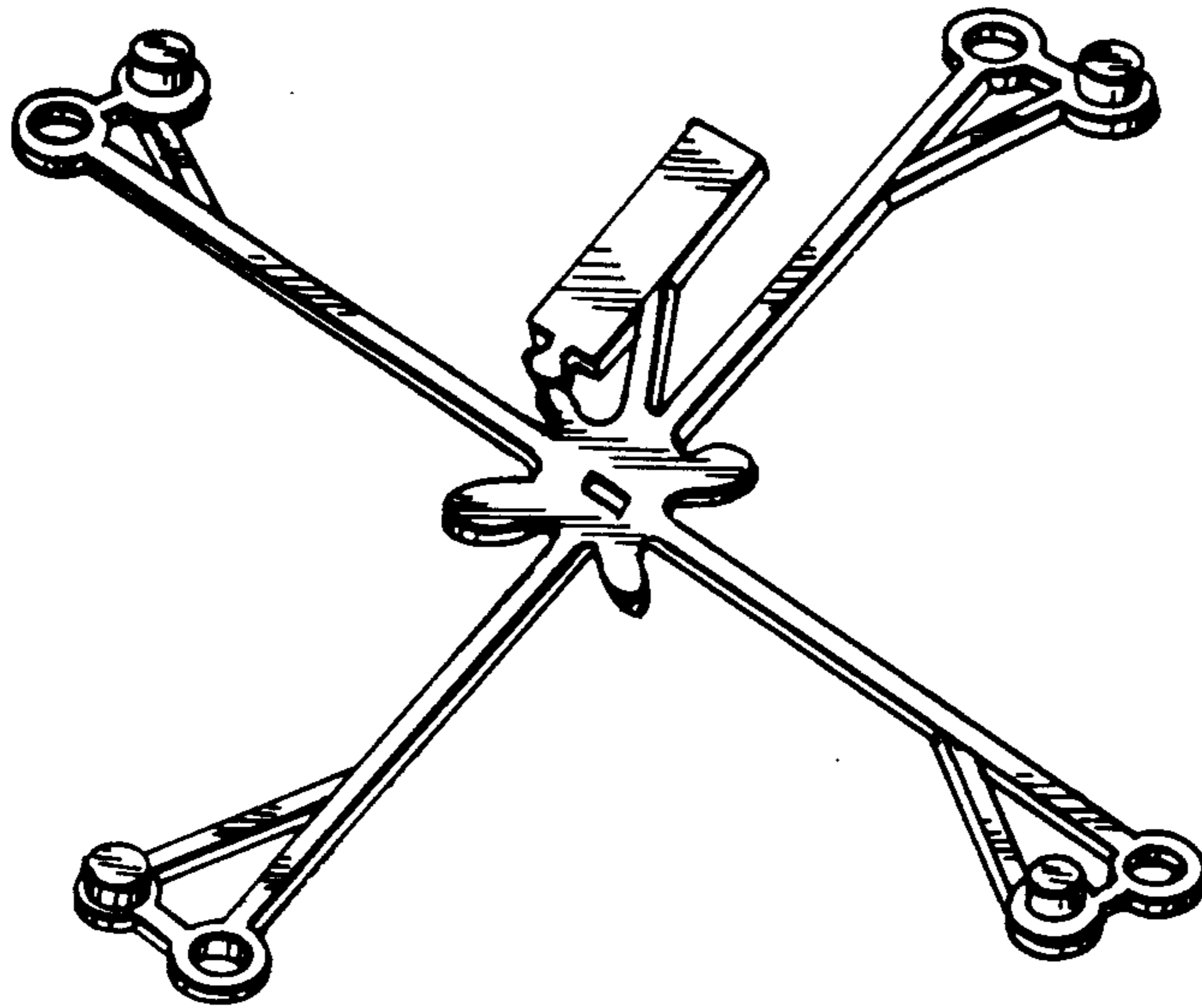
FIG. 1 is a perspective view of a toy parachute frame showing our new design;

FIG. 2 is a top plan view thereof shown on a slightly enlarged scale;

FIG. 3 is an end elevational view thereof in an inverted condition;

FIG. 4 is a bottom plan view thereof; and

FIG. 5 is a right end elevational view of FIG. 4.



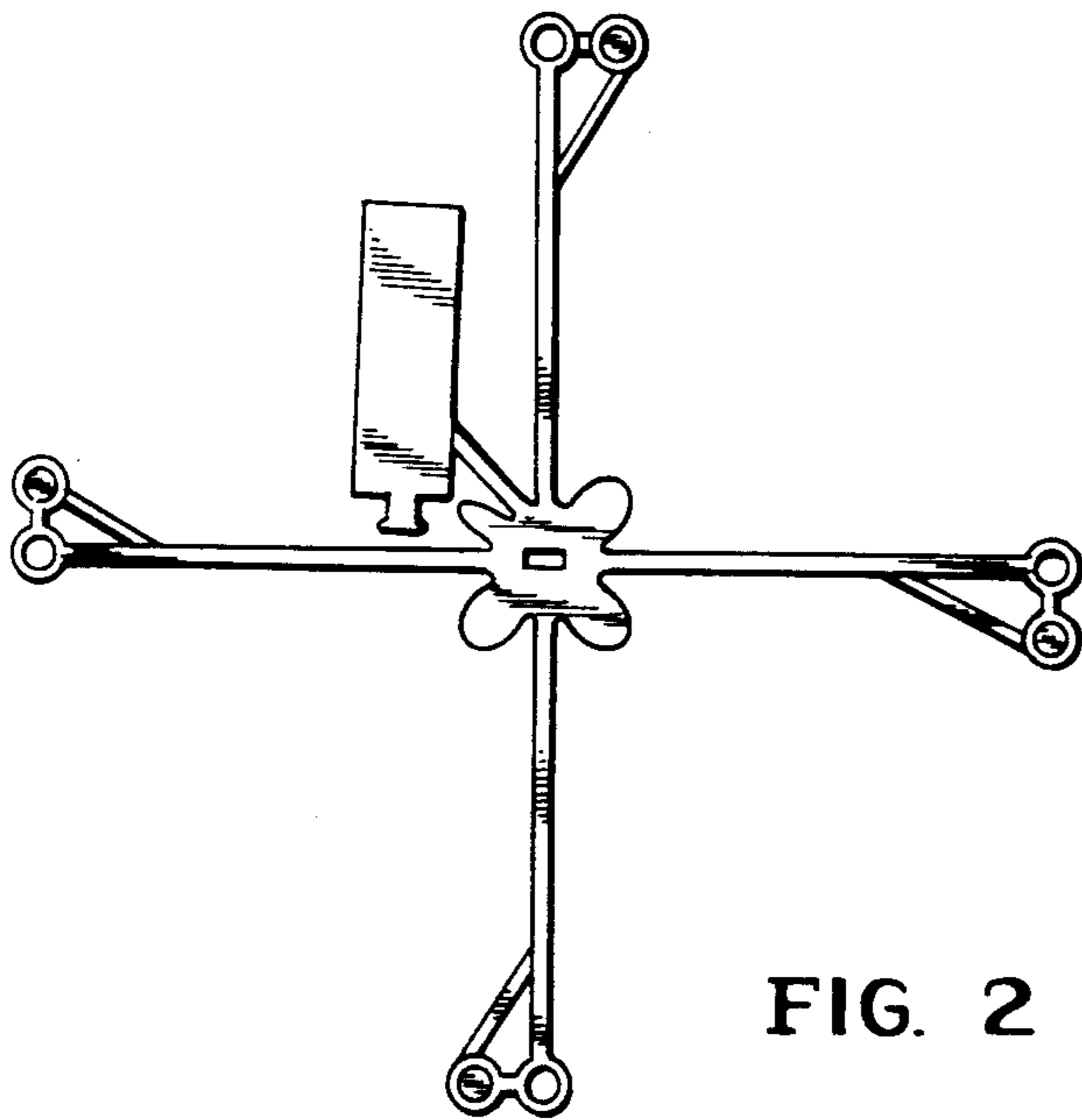


FIG. 2

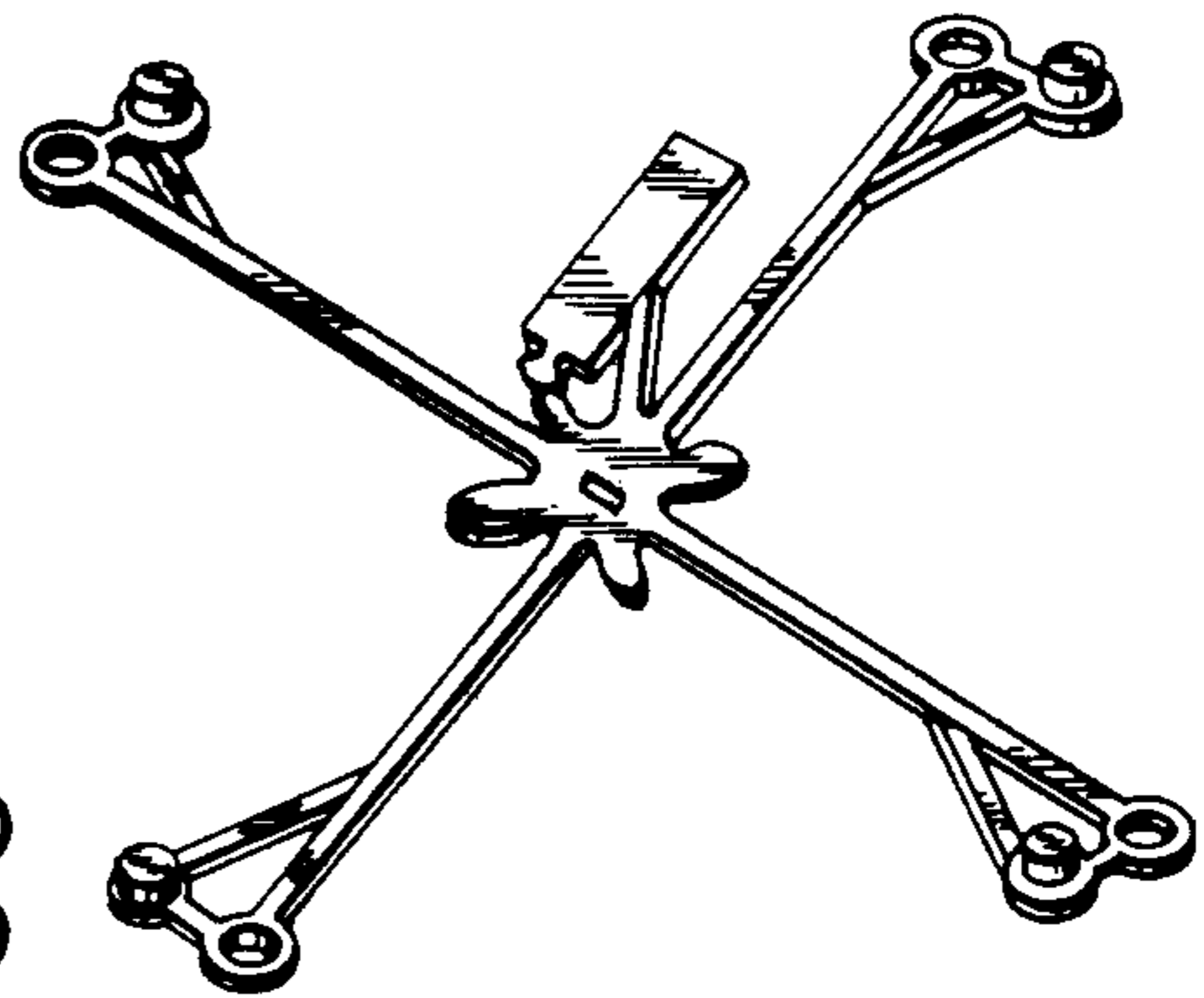


FIG. 1



FIG. 3

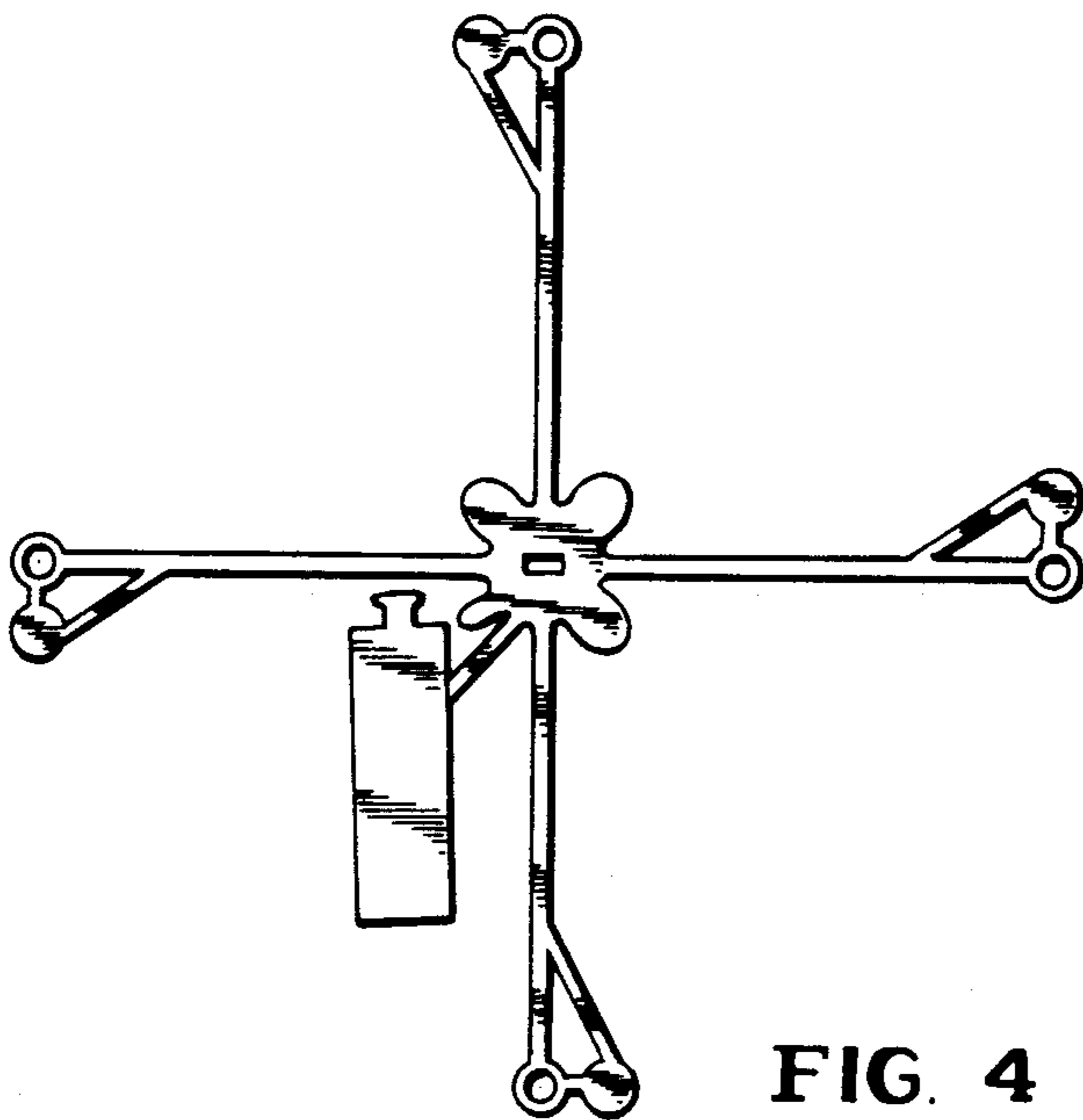


FIG. 4



FIG. 5