

[54] DESK CADDY

[76] Inventor: Carmen P. Chicone, 6767 Tanglewood Dr., Youngstown, Ohio 44512

[\*\*] Term: 14 Years

[21] Appl. No.: 887,801

[22] Filed: Mar. 3, 1978

[51] Int. Cl. .... D19-02

[52] U.S. Cl. .... D19/75; D19/77; D19/83; D19/85

[58] Field of Search .... D19/20-23, D19/75, 77-85; D25/74; D20/15, 44, 43

[56]

References Cited

U.S. PATENT DOCUMENTS

D. 101,762	11/1936	Bonnell .....	D25/74
D. 181,305	10/1957	Martino .....	D19/83
D. 185,169	5/1959	Parker .....	D19/83
D. 207,075	2/1967	Fresco .....	D19/85
D. 221,617	8/1971	D'Elia et al. ....	D20/43

Primary Examiner—Joel Stearman  
Assistant Examiner—George P. Word  
Attorney, Agent, or Firm—Webster B. Harpman

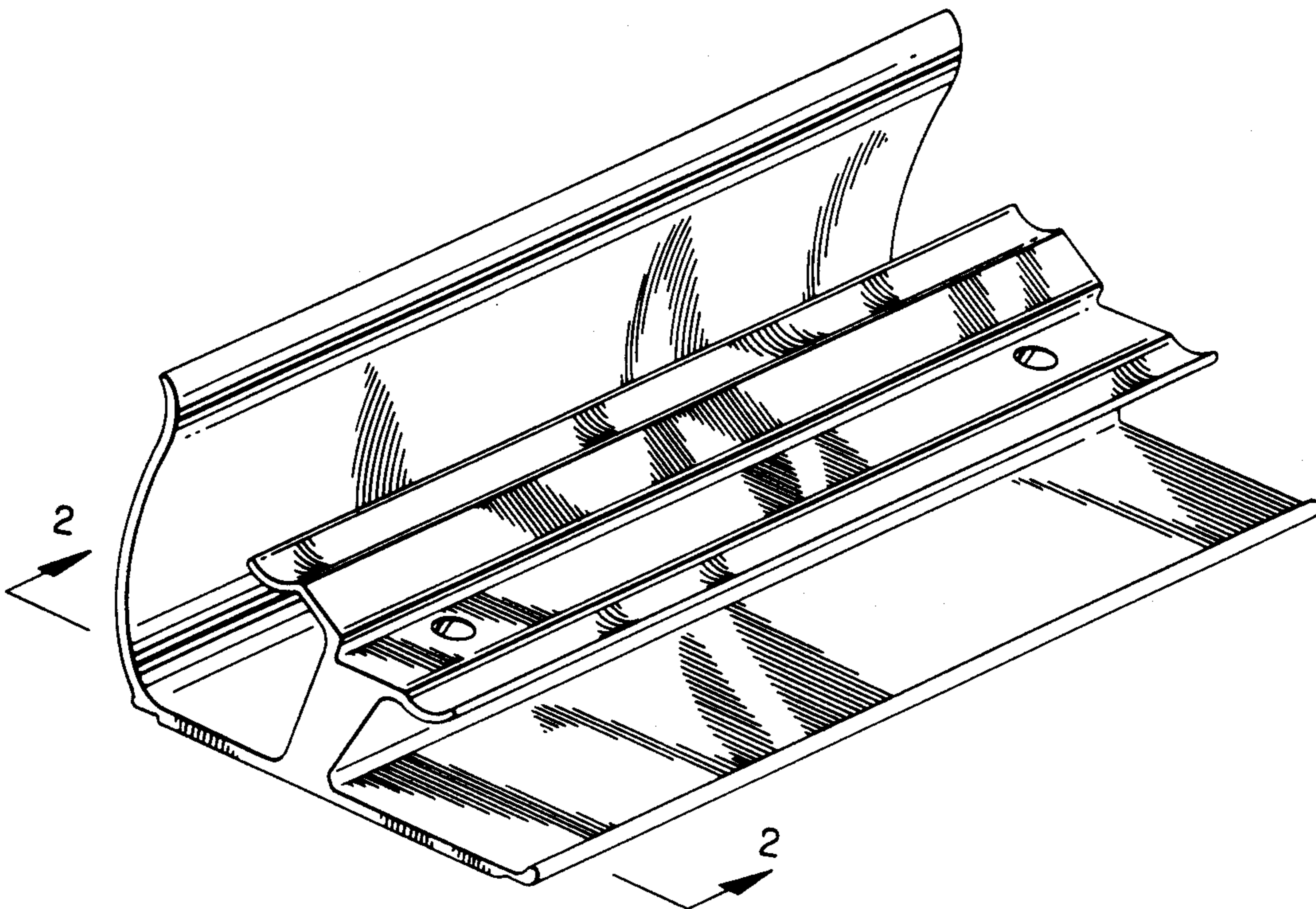
[57]

CLAIM

The ornamental design for a desk caddy, as shown and described.

DESCRIPTION

FIG. 1 is a perspective view of a desk caddy showing my new design; and  
FIG. 2 is an enlarged scale cross sectional view taken along line 2-2 of FIG. 1.



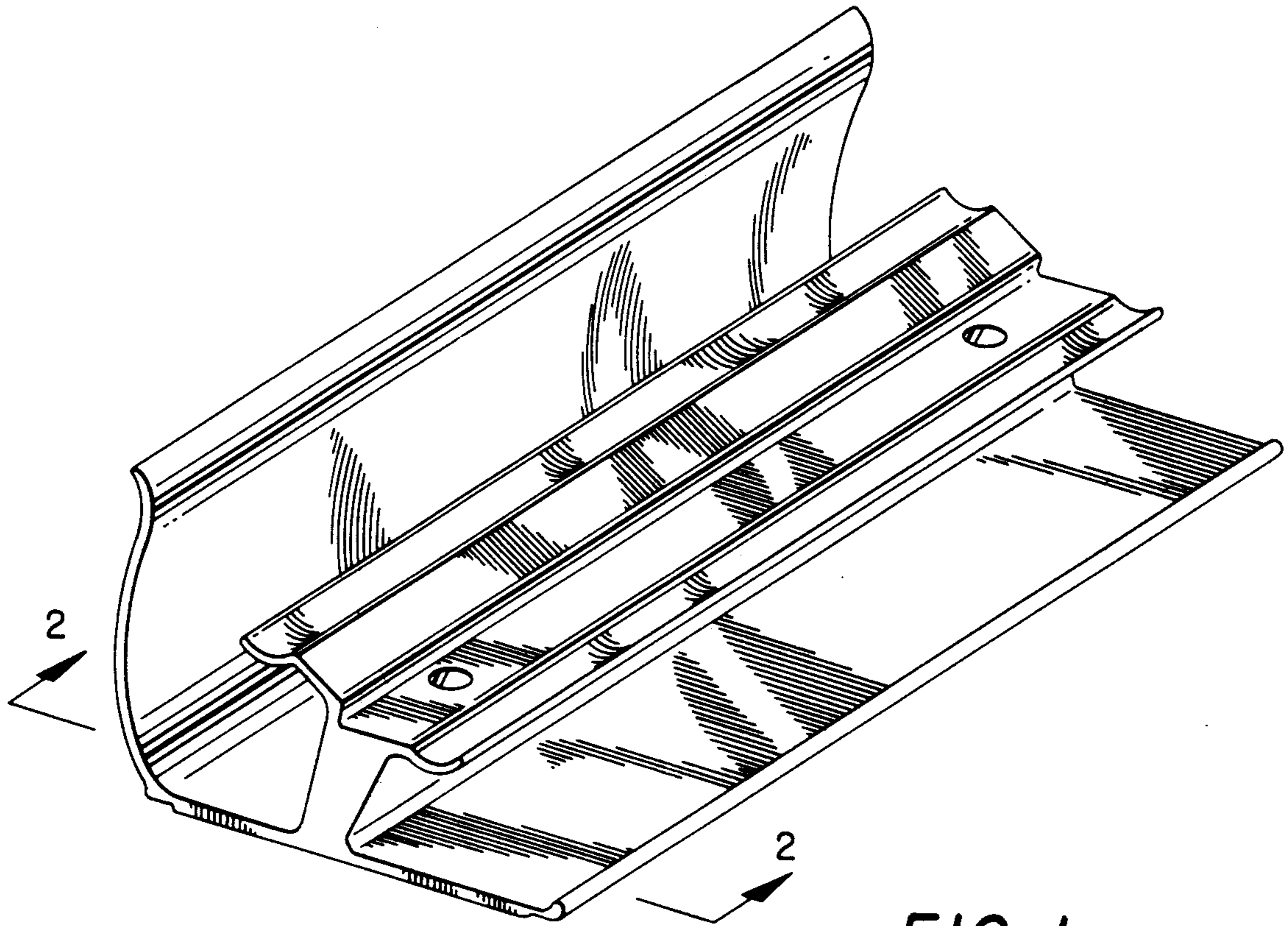


FIG. 1

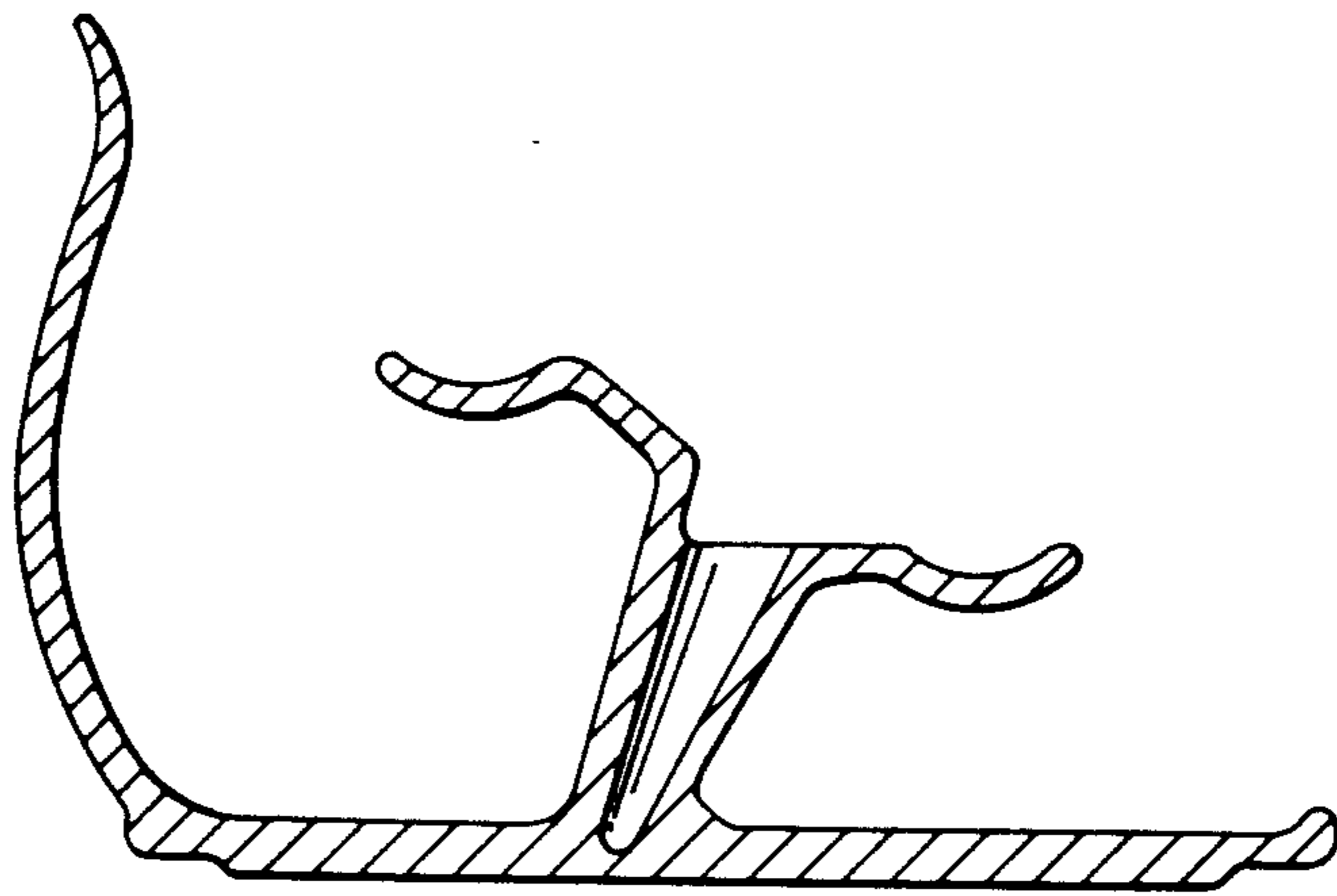


FIG. 2